



HESTORE.HU

elektronikai alkatrész áruház

EN: This Datasheet is presented by the manufacturer.

Please visit our website for pricing and availability at www.hestore.hu.

Potting Boxes (1596 Series)

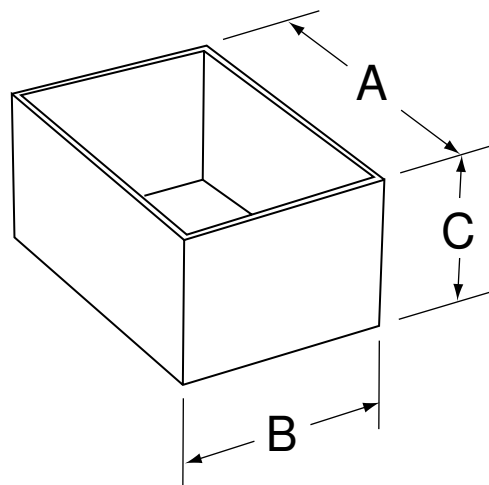
Plastic



Part Number	Units	Dimensions		
		A	B	C
1596B109	inch mm	.46 12	.46 12	.35 9
1596B110	inch mm	.85 22	.55 14	.46 12
1596B101	inch mm	.98 25	.79 20	.59 15
1596B112	inch mm	.98 25	.98 25	.98 25
1596B102	inch mm	1.18 30	.79 20	.59 15
1596B111	inch mm	1.18 30	1.18 30	.79 20
1596B103	inch mm	1.57 40	1.37 35	.79 20
1596B107	inch mm	1.57 40	1.57 40	.79 20
1596B113	inch mm	1.57 40	1.57 40	1.15 29
1596B104	inch mm	1.96 50	1.57 40	1.18 30
1596B108	inch mm	1.96 50	1.96 50	1.18 30
1596B105	inch mm	2.95 75	1.98 50	1.39 35
1596B114	inch mm	2.95 75	2.95 75	1.57 40
1596B115	inch mm	3.50 89	2.52 64	1.28 32.5
1596B106	inch mm	3.93 100	2.36 60	.99 25

KEY FEATURES

- One piece molded construction.
- Molded from black general purpose ABS plastic.
- Temperature rated -20° to +94° C.
- 1.0 mm (0.04") wall thickness.



CANADA
Guelph, Ontario (519) 822-2960
St. Laurent, Quebec (514) 343-9010
USA
Cheektowaga, NY (716) 651-0086

www.hammondmfg.com

EUROPE
Basingstoke, UK +44 1256 812812

AUSTRALASIA
Queenstown, SA, Australia +61 8 8240 2244