



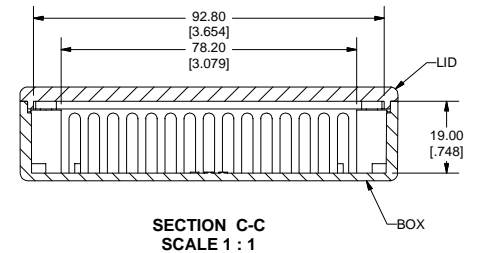
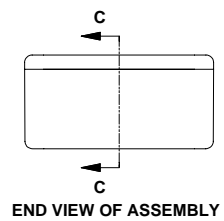
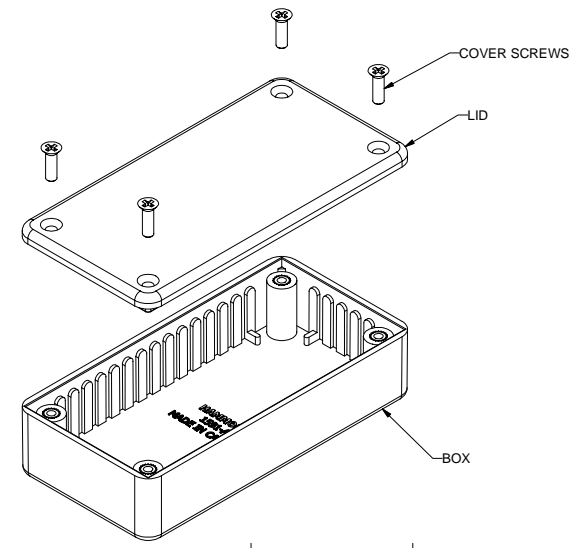
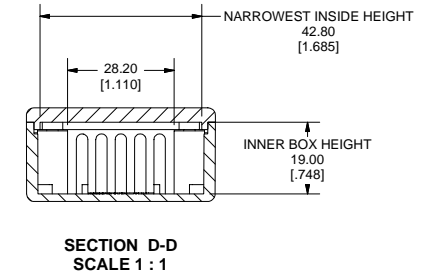
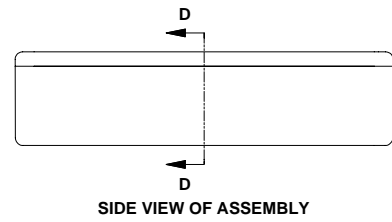
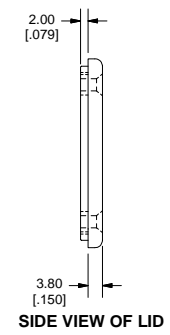
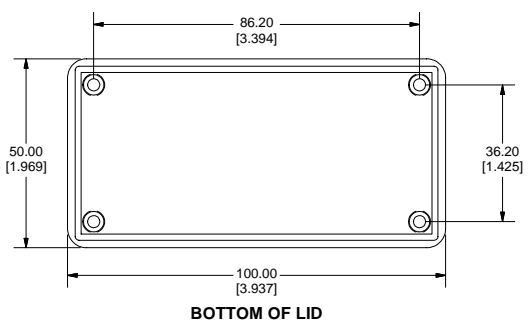
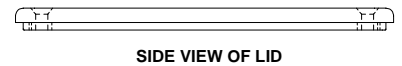
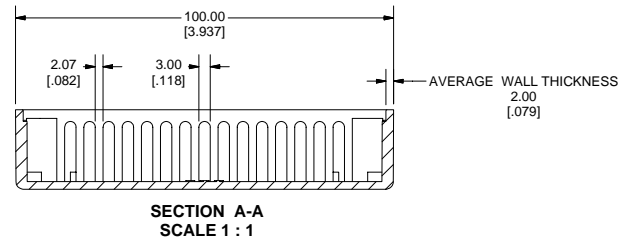
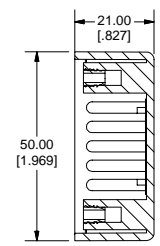
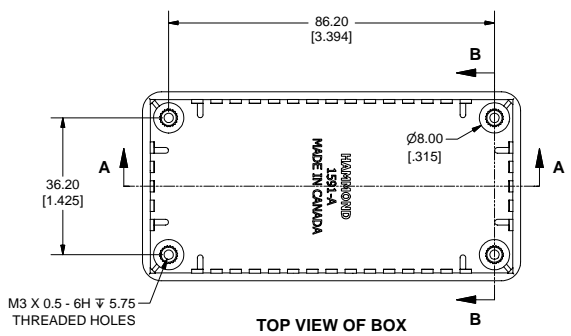
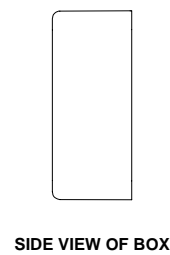
HESTORE.HU

elektronikai alkatrész áruház

EN: This Datasheet is presented by the manufacturer.

Please visit our website for pricing and availability at www.hestore.hu.

1591A



PART NUMBERS				
1591A Enclosures				
Material	Colour	Part Number		
ABS	Beige	1591ABG		
	Black	1591ABK		
	Blue	1591ABU		
	Grey	1591AGY		
	Black Shielded	1591RABK		
GP ABS	Black	1591ASBK		
Translucent Polycarbonate	Ice Blue	1591ATBU		
	IR Red	1591ATRD		
	Crystal Clear	1591ATCL		
Accessories				
Description	Part Number			
Used with ABS and Translucent Polycarbonate Enclosures	PC Board Card Adapters	See Accessories Section		
	Flange Kits	See Accessories Section		
	Replacement Screws, nickel plated M3 - 0.5 x 10mm, Pack of 100	1591MS100		
	Belt/Pocket Clip, w/ nylon screws (insulated to avoid interference) and mounting template	1599CLIP - Black		
	Clear Lids - clear, flame retardant polycarbonate - Lid ONLY	1599CLIPGY - Grey		
	Clear Lids - clear, flame retardant polycarbonate - Lid ONLY	1591AC		
	Used with GP ABS Enclosure	PC Board Card Adapters	See Accessories Section	
		Flange Kits	See Accessories Section	
		Belt/Pocket Clip, w/ nylon screws (insulated to avoid interference) and mounting template	1599CLIP - Black	
		Replacement Screws, self tapping, black oxide, #4 x 0.5, Pack of 100	1591TS100BK	
Clear Lids - clear, flame retardant polycarbonate - Lid ONLY		1591AC		
Required Torque on Fasteners (no lubrication)				
M3 - 0.5 x 10mm Screws	30-40 cN*m			
#4 x 0.5 Screws	30-40 cN*m			

