



HESTORE.HU

elektronikai alkatrész áruház

EN: This Datasheet is presented by the manufacturer.

Please visit our website for pricing and availability at www.hestore.hu.

LARGE ALUMINUM ELECTROLYTIC CAPACITORS

HC Snap-in Terminal Type, Standard Series

- Standard snap-in terminal type
- Including height 20mm products, low profile sized (Voltage range of 160 ~ 450V)
- Complied to the RoHS directive



Solvent Proof
WV ≤ 100V

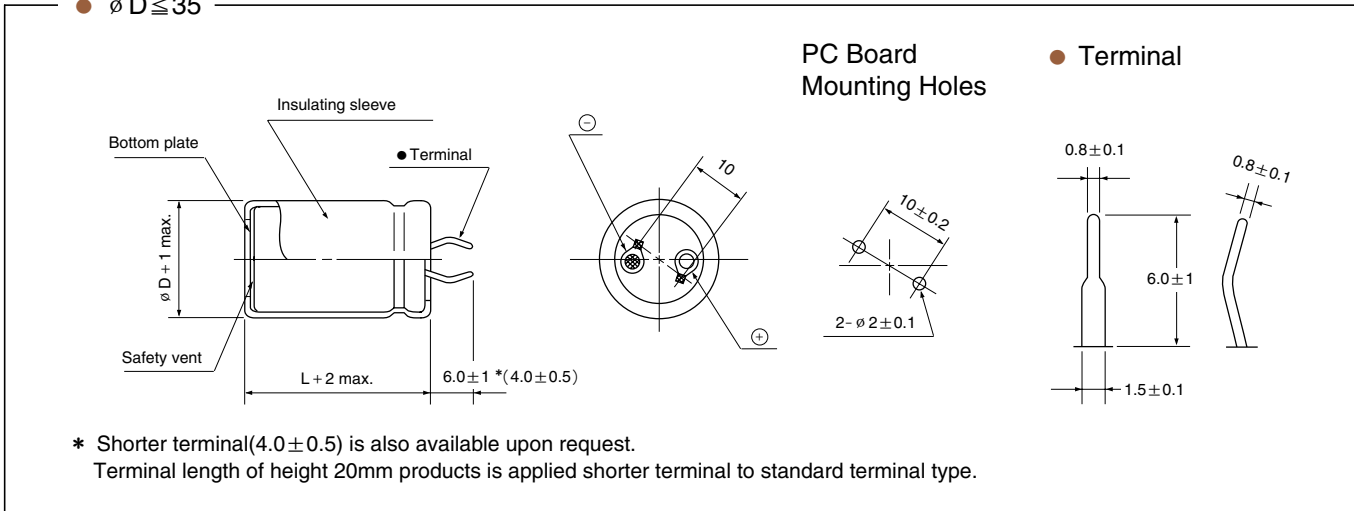


| Item | Characteristics | | | | | | | | | | | | | | | | | |
|--|--|-----------------------------------|--------|------|--------|---------|-----------|----------|-----------|----------|------|------|------|------|------|------|------|------|
| Operating temperature range | WV ≤ 350 : -40 ~ +85°C, WV > 350 : -25 ~ +85°C | | | | | | | | | | | | | | | | | |
| Capacitance tolerance | ±20% at 120Hz, 20°C | | | | | | | | | | | | | | | | | |
| Leakage current max. | I = 3√CV (µA) (after 5 minutes) | | | | | | | | | | | | | | | | | |
| Dissipation factor max. (at 120Hz, 20°C) | Capacitance > 1000µF : tanδ increases by 0.01 for each 1000µF from below value. | | | | | | | | | | | | | | | | | |
| | <table border="1"> <thead> <tr> <th>WV</th> <th>6.3</th> <th>10</th> <th>16, 25</th> <th>35</th> <th>50, 63</th> <th>80, 100</th> <th>160 ~ 400</th> <th>450, 500</th> </tr> </thead> <tbody> <tr> <td>tanδ</td> <td>0.45</td> <td>0.40</td> <td>0.35</td> <td>0.30</td> <td>0.25</td> <td>0.20</td> <td>0.15</td> <td>0.20</td> </tr> </tbody> </table> | WV | 6.3 | 10 | 16, 25 | 35 | 50, 63 | 80, 100 | 160 ~ 400 | 450, 500 | tanδ | 0.45 | 0.40 | 0.35 | 0.30 | 0.25 | 0.20 | 0.15 |
| WV | 6.3 | 10 | 16, 25 | 35 | 50, 63 | 80, 100 | 160 ~ 400 | 450, 500 | | | | | | | | | | |
| tanδ | 0.45 | 0.40 | 0.35 | 0.30 | 0.25 | 0.20 | 0.15 | 0.20 | | | | | | | | | | |
| Load life (after application of the rated voltage for 2000 hours at 85°C) | Leakage current | Less than specified value | | | | | | | | | | | | | | | | |
| | Capacitance change | Within ±20% of initial value | | | | | | | | | | | | | | | | |
| | tanδ | Less than 200% of specified value | | | | | | | | | | | | | | | | |
| Shelf life (after leaving capacitors under no load at 85°C for 1000 hours) | Leakage current | Less than specified value | | | | | | | | | | | | | | | | |
| | Capacitance change | Within ±15% of initial value | | | | | | | | | | | | | | | | |
| | tanδ | Less than 150% of specified value | | | | | | | | | | | | | | | | |

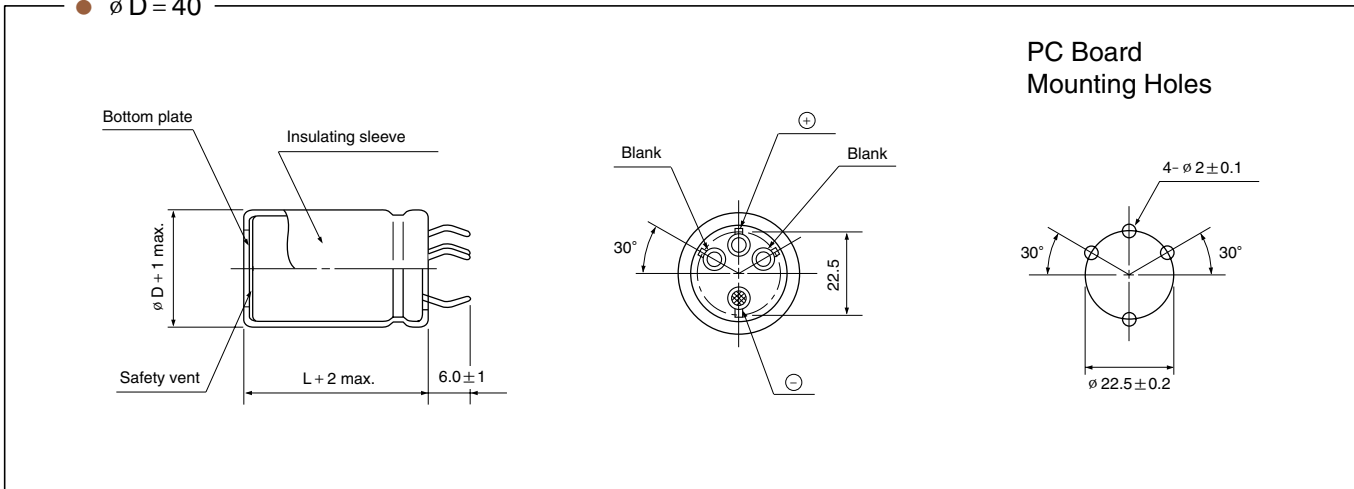
DRAWING

Unit : mm

• φ D ≤ 35



• φ D = 40



LARGE ALUMINUM ELECTROLYTIC CAPACITORS



HC series

● DIMENSIONS & MAXIMUM PERMISSIBLE RIPPLE CURRENT

| WV μF ∅ D | 6.3 | | | | | 10 | | | | | 16 | | | | |
|-----------------|-----------------|-------------------|-----------------|-----------------|-----------------|-----------------|-------------------|-----------------|-----------------|----|-----------------|-------------------|-----------------|-----------------|-----------------|
| | 22 | 25.4 | 30 | 35 | 40 | 22 | 25.4 | 30 | 35 | 40 | 22 | 25.4 | 30 | 35 | 40 |
| 10000 | | | | | | | | | | | 22 × 25 3.32 | | | | |
| 12000 | | | | | | 22 × 25 3.31 | | | | | 22 × 30 3.55 | 25.4 × 25 3.89 | | | |
| 15000 | 22 × 25 3.39 | | | | | 22 × 30 3.82 | 25.4 × 25 3.39 | | | | 22 × 35 4.29 | 25.4 × 30 4.45 | 30 × 25 4.56 | | |
| 18000 | 22 × 30 3.85 | 25.4 × 25 3.96 | | | | 22 × 35 4.28 | 25.4 × 25 4.17 | | | | 22 × 40 4.77 | 25.4 × 35 4.96 | 30 × 30 5.10 | | |
| 22000 | 22 × 35 4.34 | 25.4 × 25 4.22 | | | | 22 × 40 4.79 | 25.4 × 30 4.71 | 30 × 25 4.83 | | | 22 × 50 5.51 | 25.4 × 40 5.51 | 30 × 30 5.39 | | |
| 27000 | 22 × 40 4.85 | 25.4 × 30 4.77 | 30 × 25 4.89 | | | 22 × 45 5.30 | 25.4 × 35 5.26 | 30 × 30 5.41 | | | | 25.4 × 45 6.06 | 30 × 35 5.98 | 35 × 25 5.80 | |
| 33000 | 22 × 45 5.36 | 25.4 × 35 5.32 | 30 × 30 5.47 | | | 22 × 50 5.82 | 25.4 × 40 5.81 | 30 × 30 5.69 | 35 × 25 5.81 | | | | 30 × 40 6.56 | 35 × 30 6.41 | |
| 39000 | 22 × 50 5.83 | 25.4 × 40 5.82 | 30 × 30 5.70 | 35 × 25 5.82 | | | 25.4 × 45 6.31 | 30 × 35 6.22 | 35 × 30 6.38 | | | | 30 × 45 7.08 | 35 × 35 6.96 | |
| 47000 | | 25.4 × 45 6.35 | 30 × 35 6.26 | 35 × 30 6.41 | | | 25.4 × 50 6.83 | 30 × 40 6.78 | 35 × 30 6.62 | | | | 30 × 50 7.62 | 35 × 40 7.54 | |
| 56000 | | 25.4 × 50 6.85 | 30 × 40 6.80 | 35 × 30 6.64 | | | | 30 × 45 7.31 | 35 × 35 7.18 | | | | | 35 × 45 8.08 | 40 × 40 8.23 |
| 68000 | | | 30 × 45 7.35 | 35 × 35 7.23 | | | | | 35 × 40 7.76 | | | | | 35 × 50 8.63 | 40 × 50 9.13 |
| 100000 | | | | 35 × 45 8.34 | 40 × 40 8.49 | | | | | | | | | | 40 × 60 10.2 |

| WV μF ∅ D | 25 | | | | | 35 | | | | | 50 | | | | |
|-----------------|-----------------|-------------------|-----------------|-----------------|-----------------|-----------------|-------------------|-----------------|-----------------|-----------------|-----------------|-------------------|-----------------|-----------------|-----------------|
| | 22 | 25.4 | 30 | 35 | 40 | 22 | 25.4 | 30 | 35 | 40 | 22 | 25.4 | 30 | 35 | 40 |
| 3300 | | | | | | | | | | | 22 × 30 2.97 | 25.4 × 25 3.06 | | | |
| 4700 | | | | | | 22 × 30 3.06 | 25.4 × 25 2.98 | | | | 22 × 40 3.83 | 25.4 × 35 3.98 | 30 × 25 3.86 | 35 × 25 4.19 | |
| 5600 | 22 × 25 2.65 | | | | | 22 × 35 3.28 | 25.4 × 30 3.39 | | | | 22 × 45 4.26 | 25.4 × 40 4.44 | 30 × 30 4.35 | 35 × 25 4.44 | |
| 6800 | 22 × 30 3.06 | 25.4 × 25 3.15 | | | | 22 × 40 3.73 | 25.4 × 30 3.67 | 30 × 25 3.76 | | | 22 × 50 4.77 | 25.4 × 40 4.76 | 30 × 35 4.92 | 35 × 30 5.04 | |
| 8200 | 22 × 35 3.45 | 25.4 × 30 3.57 | | | | 22 × 45 4.13 | 25.4 × 35 4.10 | 30 × 30 4.22 | | | | 25.4 × 50 5.43 | 30 × 40 5.38 | 35 × 30 5.26 | |
| 10000 | 22 × 40 3.95 | 25.4 × 30 3.89 | 30 × 25 3.99 | | | 22 × 50 4.68 | 25.4 × 40 4.68 | 30 × 30 4.58 | | | | | 30 × 45 6.07 | 35 × 35 5.97 | |
| 12000 | 22 × 45 4.41 | 25.4 × 35 4.37 | 30 × 30 4.50 | | | | 25.4 × 45 5.18 | 30 × 35 5.11 | 35 × 30 5.24 | | | | 30 × 50 6.62 | 35 × 40 6.55 | |
| 15000 | 22 × 50 4.94 | 25.4 × 40 4.94 | 30 × 35 5.10 | | | | | 30 × 40 5.72 | 35 × 35 5.88 | | | | | 35 × 45 7.20 | |
| 18000 | | 25.4 × 45 5.45 | 30 × 35 5.38 | 35 × 30 5.51 | | | | 30 × 45 6.28 | 35 × 40 6.46 | | | | | 35 × 50 7.74 | 40 × 40 7.62 |
| 22000 | | | 30 × 45 6.22 | 35 × 35 6.12 | | | | | 35 × 45 7.07 | 40 × 40 7.20 | | | | | 40 × 50 8.54 |
| 27000 | | | 30 × 50 6.82 | 35 × 40 6.74 | | | | | | 40 × 50 8.14 | | | | | 40 × 60 9.45 |
| 33000 | | | | 35 × 45 7.35 | 40 × 40 7.48 | | | | | 40 × 50 8.46 | | | | | |

| WV μF ∅ D | 63 | | | | | 80 | | | | | 100 | | | | |
|-----------------|-----------------|-------------------|-----------------|-----------------|-----------------|-----------------|-------------------|-----------------|-----------------|-----------------|--|-------------------|-----------------|-----------------|-----------------|
| | 22 | 25.4 | 30 | 35 | 40 | 22 | 25.4 | 30 | 35 | 40 | 22 | 25.4 | 30 | 35 | 40 |
| 1200 | | | | | | 22 × 25 2.24 | | | | | 22 × 30 2.39 | 25.4 × 25 2.46 | | | |
| 1500 | | | | | | 22 × 30 2.67 | | | | | 22 × 35 2.83 | 25.4 × 30 2.93 | 30 × 25 3.00 | | |
| 1800 | 22 × 25 2.20 | | | | | 22 × 30 2.92 | 25.4 × 25 3.01 | | | | 22 × 40 3.26 | 25.4 × 35 3.39 | 30 × 30 3.49 | | |
| 2200 | 22 × 30 2.50 | 25.4 × 25 2.58 | | | | 22 × 35 3.25 | 25.4 × 30 3.36 | 30 × 25 3.45 | | | 22 × 45 3.58 | 25.4 × 40 3.74 | 30 × 30 3.66 | | |
| 2700 | 22 × 35 2.94 | 25.4 × 30 3.04 | | | | 22 × 40 3.79 | 25.4 × 35 3.94 | 30 × 30 4.05 | | | | 25.4 × 45 4.33 | 30 × 35 4.27 | 35 × 30 4.37 | |
| 3300 | 22 × 35 3.14 | 25.4 × 30 3.26 | 30 × 25 3.34 | | | 22 × 45 4.18 | 25.4 × 40 4.36 | 30 × 30 4.27 | | | | 25.4 × 50 4.76 | 30 × 40 4.72 | 35 × 35 4.85 | |
| 3900 | 22 × 40 3.60 | 25.4 × 35 3.74 | 30 × 30 3.85 | | | 22 × 50 4.75 | 25.4 × 45 4.96 | 30 × 35 4.89 | | | | | 30 × 45 5.36 | 35 × 35 5.27 | |
| 4700 | 22 × 50 4.19 | 25.4 × 40 4.19 | 30 × 35 4.10 | 35 × 30 4.19 | | | 25.4 × 50 5.44 | 30 × 40 5.39 | 35 × 30 5.27 | | | | 30 × 50 5.86 | 35 × 40 5.80 | |
| 5600 | | 25.4 × 45 4.65 | 30 × 35 4.58 | 35 × 30 4.70 | | | | 30 × 45 5.91 | 35 × 35 5.81 | | | | | 35 × 45 6.34 | 40 × 40 6.45 |
| 6800 | | 25.4 × 50 5.20 | 30 × 40 5.16 | 35 × 30 5.04 | | | | | 35 × 40 5.46 | | | | | | 40 × 50 7.40 |
| 8200 | | | 30 × 45 5.62 | 35 × 35 5.53 | | | | | 35 × 45 6.91 | 40 × 40 7.04 | | | | | 40 × 50 7.60 |
| 10000 | | | 30 × 50 6.32 | 35 × 40 6.25 | | | | | | 40 × 50 8.14 | ← Case size ∅ D × L (mm) ← Ripple current (Arms) at 85°C, 120Hz | | | | |
| 12000 | | | | 35 × 45 6.83 | 40 × 40 6.95 | | | | | | | | | | |

* Note: Case diameter (∅ 20) is available upon request.

LARGE ALUMINUM ELECTROLYTIC CAPACITORS

HC series

● DIMENSIONS & MAXIMUM PERMISSIBLE RIPPLE CURRENT

| WV μF ∅ D | 160 | | | | | 200 | | | | | 250 | | | | |
|-----------------|-----------------|-------------------|-----------------|-----------------|-----------------|-----------------|-------------------|-----------------|-----------------|-----------------|-----------------|-------------------|-----------------|-----------------|-----------------|
| | 22 | 25.4 | 30 | 35 | 40 | 22 | 25.4 | 30 | 35 | 40 | 22 | 25.4 | 30 | 35 | 40 |
| 150 | | | | | | | | | | | 22 × 25 0.90 | 25.4 × 20 0.92 | | | |
| 180 | | | | | | 22 × 20 0.91 | | | | | 22 × 25 0.90 | 25.4 × 20 1.01 | | | |
| 220 | 22 × 20 1.01 | | | | | 22 × 25 1.09 | 25.4 × 20 1.11 | | | | 22 × 25 1.09 | 25.4 × 25 1.19 | 30 × 20 1.22 | | |
| 270 | 22 × 25 1.20 | 25.4 × 20 1.32 | | | | 22 × 25 1.20 | 25.4 × 25 1.32 | 30 × 20 1.35 | | | 22 × 30 1.28 | 25.4 × 25 1.32 | 30 × 20 1.35 | | |
| 330 | 22 × 25 1.33 | 25.4 × 20 1.36 | | | | 22 × 30 1.42 | 25.4 × 25 1.46 | 30 × 20 1.49 | | | 22 × 35 1.50 | 25.4 × 30 1.56 | 30 × 25 1.60 | 35 × 20 1.62 | |
| 390 | 22 × 25 1.45 | 25.4 × 25 1.59 | 30 × 20 1.62 | | | 22 × 30 1.54 | 25.4 × 25 1.59 | 30 × 25 1.74 | 35 × 20 1.77 | | 22 × 40 1.72 | 25.4 × 30 1.69 | 30 × 25 1.73 | 35 × 20 1.77 | |
| 470 | 22 × 30 1.69 | 25.4 × 25 1.75 | 30 × 20 1.78 | | | 22 × 35 1.79 | 25.4 × 30 1.86 | 30 × 25 1.90 | 35 × 20 1.94 | | 22 × 45 1.98 | 25.4 × 35 1.96 | 30 × 30 2.02 | 35 × 25 2.06 | |
| 560 | 22 × 35 1.96 | 25.4 × 30 2.03 | 30 × 25 2.08 | 35 × 20 2.12 | | 22 × 40 2.06 | 25.4 × 35 2.14 | 30 × 25 2.08 | 35 × 25 2.25 | | 22 × 50 2.26 | 25.4 × 40 2.25 | 30 × 30 2.20 | 35 × 25 2.25 | |
| 680 | 22 × 40 2.27 | 25.4 × 30 2.23 | 30 × 25 2.29 | 35 × 20 2.33 | | 22 × 45 2.38 | 25.4 × 40 2.48 | 30 × 30 2.43 | 35 × 25 2.48 | | | 25.4 × 45 2.60 | 30 × 35 2.56 | 35 × 30 2.62 | |
| 820 | 22 × 45 2.61 | 25.4 × 35 2.59 | 30 × 30 2.67 | 35 × 25 2.73 | | 22 × 50 2.73 | 25.4 × 45 2.85 | 30 × 35 2.81 | 35 × 30 2.88 | | | | 30 × 40 2.95 | 35 × 35 3.03 | |
| 1000 | 22 × 50 3.01 | 25.4 × 40 3.01 | 30 × 30 2.95 | 35 × 25 3.01 | | | | 30 × 40 3.26 | 35 × 30 3.18 | | | | 30 × 45 3.40 | 35 × 40 3.50 | |
| 1200 | | 25.4 × 45 3.23 | 30 × 35 3.18 | 35 × 30 3.26 | | | | 30 × 45 3.49 | 35 × 35 3.43 | | | | | 35 × 45 3.74 | 40 × 40 3.81 |
| 1500 | | | 30 × 40 3.73 | 35 × 35 3.83 | | | | 30 × 50 4.06 | 35 × 40 4.01 | | | | | 35 × 50 4.35 | 40 × 50 4.60 |
| 1800 | | | | 35 × 40 4.39 | 40 × 40 4.66 | | | | 35 × 45 4.58 | 40 × 40 4.66 | | | | | 40 × 60 5.39 |

| WV μF ∅ D | 315 | | | | | 350 | | | | | 400 | | | | |
|-----------------|-----------------|-------------------|-----------------|-----------------|-----------------|-----------------|-------------------|-----------------|-----------------|-----------------|-----------------|-------------------|-----------------|-----------------|-----------------|
| | 22 | 25.4 | 30 | 35 | 40 | 22 | 25.4 | 30 | 35 | 40 | 22 | 25.4 | 30 | 35 | 40 |
| 68 | | | | | | | | | | | 22 × 20 0.56 | | | | |
| 82 | | | | | | 22 × 20 0.62 | | | | | 22 × 25 0.66 | 25.4 × 20 0.68 | | | |
| 100 | 22 × 20 0.68 | | | | | 22 × 25 0.73 | 25.4 × 20 0.75 | | | | 22 × 30 0.78 | 25.4 × 25 0.81 | 30 × 20 0.82 | | |
| 120 | 22 × 25 0.80 | 25.4 × 20 0.82 | | | | 22 × 30 0.86 | 25.4 × 25 0.88 | 30 × 20 0.90 | | | 22 × 30 0.86 | 25.4 × 25 0.88 | 30 × 20 0.90 | | |
| 150 | 22 × 30 0.96 | 25.4 × 25 0.99 | 30 × 20 1.01 | | | 22 × 35 1.01 | 25.4 × 30 1.05 | 30 × 20 1.01 | | | 22 × 35 1.01 | 25.4 × 30 1.05 | 30 × 25 1.08 | 35 × 20 1.09 | |
| 180 | 22 × 35 1.11 | 25.4 × 30 1.15 | 30 × 25 1.18 | 35 × 20 1.20 | | 22 × 40 1.17 | 25.4 × 35 1.21 | 30 × 25 1.18 | 35 × 20 1.20 | | 22 × 40 1.17 | 25.4 × 35 1.21 | 30 × 25 1.18 | 35 × 25 1.28 | |
| 220 | 22 × 40 1.29 | 25.4 × 30 1.27 | 30 × 25 1.30 | 35 × 20 1.33 | | 22 × 45 1.35 | 25.4 × 35 1.34 | 30 × 30 1.38 | 35 × 25 1.41 | | 22 × 45 1.35 | 25.4 × 40 1.41 | 30 × 30 1.38 | 35 × 25 1.41 | |
| 270 | 22 × 45 1.50 | 25.4 × 35 1.49 | 30 × 30 1.53 | 35 × 25 1.56 | | | 25.4 × 45 1.64 | 30 × 35 1.61 | 35 × 25 1.65 | | | 25.4 × 45 1.64 | 30 × 35 1.61 | 35 × 30 1.65 | |
| 330 | 22 × 50 1.73 | 25.4 × 40 1.73 | 30 × 35 1.78 | 35 × 30 1.83 | | | 25.4 × 50 1.89 | 30 × 40 1.87 | 35 × 30 1.83 | | | 25.4 × 50 1.89 | 30 × 40 1.87 | 35 × 30 1.83 | |
| 390 | | 25.4 × 45 1.97 | 30 × 35 1.94 | 35 × 30 1.99 | | | | 30 × 45 2.12 | 35 × 35 2.09 | | | | 30 × 45 2.12 | 35 × 35 2.09 | |
| 470 | | | 30 × 40 2.23 | 35 × 35 2.29 | | | | 30 × 50 2.43 | 35 × 40 2.40 | | | | 30 × 50 2.43 | 35 × 40 2.40 | |
| 560 | | | | 35 × 40 2.62 | | | | | 35 × 45 2.73 | | | | | 35 × 45 2.73 | 40 × 40 2.78 |
| 680 | | | | 35 × 45 3.01 | | | | | 35 × 50 3.13 | 40 × 40 3.06 | | | | | 40 × 50 3.31 |
| 820 | | | | 35 × 50 3.44 | 40 × 40 3.37 | | | | | 40 × 50 3.63 | | | | | 40 × 60 3.89 |

| WV μF ∅ D | 450 | | | | | 500 | | | | |
|-----------------|-----------------|-------------------|-----------------|-----------------|-----------------|-----------------|-------------------|-----------------|-----------------|-----------------|
| | 22 | 25.4 | 30 | 35 | 40 | 22 | 25.4 | 30 | 35 | 40 |
| 56 | 22 × 20 0.51 | | | | | | | | | |
| 68 | 22 × 25 0.60 | 25.4 × 20 0.62 | | | | 22 × 30 0.49 | | | | |
| 82 | 22 × 30 0.71 | 25.4 × 25 0.73 | 30 × 20 0.74 | | | 22 × 35 0.57 | 25.4 × 30 0.59 | | | |
| 100 | 22 × 35 0.83 | 25.4 × 30 0.86 | 30 × 25 0.88 | 35 × 20 0.89 | | 22 × 40 0.67 | 25.4 × 35 0.69 | | | |
| 120 | 22 × 40 0.95 | 25.4 × 35 0.99 | 30 × 25 0.96 | 35 × 20 0.98 | | | 25.4 × 40 0.80 | | | |
| 150 | 22 × 50 1.17 | 25.4 × 40 1.17 | 30 × 30 1.14 | 35 × 25 1.17 | | | | 30 × 35 0.92 | | |
| 180 | | 25.4 × 45 1.34 | 30 × 35 1.32 | 35 × 25 1.28 | | | | 30 × 40 1.06 | | |
| 220 | | 25.4 × 50 1.54 | 30 × 40 1.53 | 35 × 30 1.49 | | | | 30 × 45 1.22 | | |
| 270 | | | 30 × 45 1.77 | 35 × 35 1.74 | | | | | 35 × 45 1.45 | |
| 330 | | | 30 × 50 2.03 | 35 × 40 2.01 | | | | | 35 × 50 1.66 | |
| 390 | | | | 35 × 45 2.28 | | | | | | |
| 470 | | | | 35 × 50 2.60 | 40 × 40 2.55 | | | | | 40 × 50 2.10 |
| 560 | | | | | 40 × 50 3.00 | | | | | 40 × 60 2.45 |
| 680 | | | | | 40 × 60 3.54 | | | | | 40 × 60 2.70 |

← Case size ∅ D × L (mm)
← Ripple current (Arms) at 85°C, 120Hz