

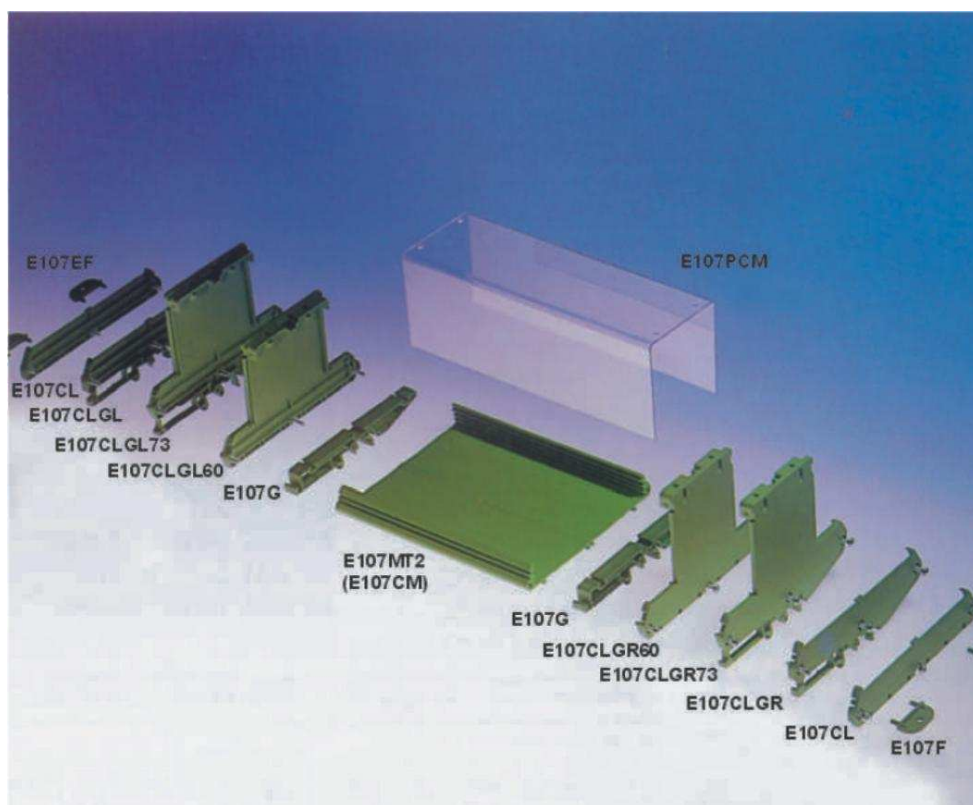


HESTORE.HU

elektronikai alkatrész áruház

EN: This Datasheet is presented by the manufacturer.

Please visit our website for pricing and availability at www.hestore.hu.



DESCRIPTION

The E 107 profile support is suitable for those applications where it is required to have a simple snap-in system so that an electronic card can be directly mounted on to a DIN rail.

Said support is made of a self-extinguishing PVC profile, which has special lateral closures and a coupler. It is available in a 2mt long piece, cut according to standard lengths (that correspond to the size of the M 107 Series printed circuit boards), or can be customized in any other required size.

It is also possible to screw the support on the wall with an easy-to-use (E 107 F) accessory, instead of coupling it to the DIN EN 50022, DIN EN 50035.

MATERIALS

housing: PA - UL 94 V0

AVAILABLE COLOURS

GN

other colours:

upon request

PCB / CIRCUITO STAMPATO	MODULE / MODULO	E-72 CM	E-72 CL	E-72 CLGL	E-72 CLGR	E-72 G	EV
38.5x107.5x1.6	41	35.0	2	(1)	(1)	1	6
55.0x107.5x1.6	57.5	51.5	2	(1)	(1)	1	6
73.5x107.5x1.6	76	70.0	2	(1)	(1)	2 (1)	6
90.0x107.5x1.6	92.5	86.5	2	(1)	(1)	2 (1)	6
108.5x107.5x1.6	111	105.0	2	(1)	(1)	2 (1)	6
125x107.5x1.6	127.5	121.5	2	(1)	(1)	2 (1)	6
143.5x107.5x1.6	146	140.0	2	(1)	(1)	2 (1)	6

160.0x107.5x1.6	162.5	156.5	2	(1)	(1)	2 (1)	6
178.5x107.5x1.6	181	175.0	2	(1)	(1)	3 (2)	6
195.0x107.5x1.6	197.5	191.5	2	(1)	(1)	3 (2)	6
213.5x107.5x1.6	216	210.0	2	(1)	(1)	3 (2)	6
230.0x107.5x1.6	232.5	226.5	2	(1)	(1)	3 (2)	6
248.5x107.5x1.6	251	246	2	(1)	(1)	3 (2)	6
265.0x107.5x1.6	267.5	261.5	2	(1)	(1)	3 (2)	6
283.5x107.5x1.6	286	280	2	(1)	(1)	3 (2)	6

**HOW TO ORDER /
COME ORDINARE**

DESCRIPTION / DESCRIZIONE

E-107 MT2	Profile for PCB 107mm x 2mt / Profilo per c.s. 107mm x 2mt
E-107 CLGL	Lateral closure with left coupling / Chiusura laterale con gancio a sinistra
E-107 CLGR	Lateral closure with right coupling / Chiusura laterale con gancio a destra
E-107 G	Coupling for DIN rail / Aggancio per guida DIN
E-107 CL	Lateral closure / Chiusura laterale
EV	Profile screw / Vite per profilo
E-107 F	Accessory for wall mounting / Accessorio per fissaggio a parete
E-107 M	Assembling and closing working / Lavorazione montaggio chiusura
E-107 CLGL60	High lateral closure with left coupling for protection cover 60mm / Chiusura laterale con gancio sx alta per protezione 60mm
E-107 CLGL73	High lateral closure with left coupling for protection cover 73mm / Chiusura laterale con gancio sx alta per protezione 73mm
E-107 CLGR60	High lateral closure with right coupling for protection cover 60mm / Chiusura laterale con gancio dx alta per protezione 60mm
E-107 CLGR73	High lateral closure with right coupling for protection cover 73mm / Chiusura laterale con gancio dx alta per protezione 73mm
E-107 CL60	High lateral closure for protection cover 60mm / Chiusura laterale alta per protezione 60mm
E-107 CL73	High lateral closure for protection cover 73mm / Chiusura laterale alta per protezione 73mm
E-107 A100	Adaptor accessory for PCB 100mm / Accessorio adattatore per c.s. 100mm
E-107 P60 L.....	Cut-to-size PVC protection cover 60mm / Protezione antinfortunistica tagliata a misura
E-107 P73 L.....	Cut-to-size PVC protection cover 73mm / Protezione antinfortunistica tagliata a misura
E-107 L35	For PCB / Per c.s. 38,5mm
E-107 L51,5	For PCB / Per c.s. 55.0mm
E-107 L70	For PCB / Per c.s. 73.5mm
E-107 L86,5	For PCB / Per c.s. 90.0mm
E-107 L105	For PCB / Per c.s. 108.5mm
E-107 L121,5	For PCB / Per c.s. 125.0mm
E-107 L140	For PCB / Per c.s. 143.5mm
E-107 L156,5	For PCB / Per c.s. 160.0mm
E-107 L175	For PCB / Per c.s. 178.5mm
E-107 L191,5	For PCB / Per c.s. 195.0mm
E-107 L210	For PCB / Per c.s. 213.5mm
E-107 L226,5	For PCB / Per c.s. 230.0mm
E-107 L245	For PCB / Per c.s. 248.5mm

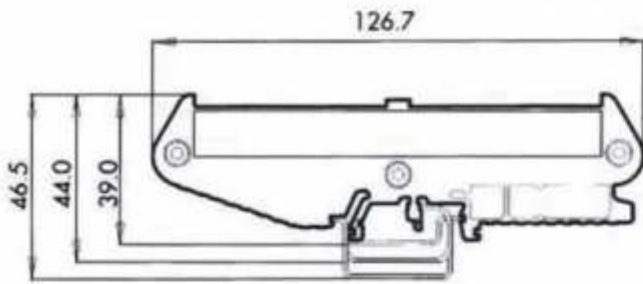
E-107 L261,5
 E-107 L280
 E-107 L..... *

For PCB / Per c.s. 265.0mm
 For PCB / Per c.s. 283.5mm

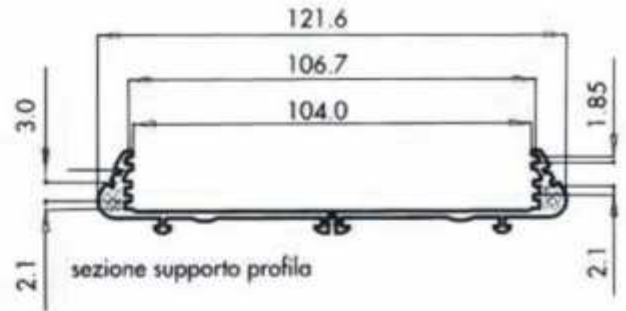
Profile cut to custom size / Profilo tagliato a misura custom

***NOTE:** the cut-to-size E-107 L support can be delivered in the requested dimension ordering the code E-107 L followed by the requested length (i.e. for pcb: 128,5x107x1,6mm, the length of the profile is obtained deducting 3,5mm from the dimension of the pcb: $128,5 - 3,5\text{mm} = 125\text{mm}$ therefore, ordering code will be E-107 L125)

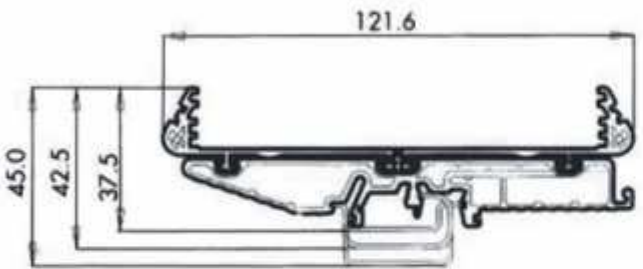
***NOTA:** il profilo E-107 L può essere fornito secondo misure a richiesta ordinando il codice E-107 L accompagnato dalla lunghezza desiderata in mm. Es: (per una scheda 128,5x107x1,6mm la lunghezza del profilo si ottiene sottraendo 3,5mm dalla dimensione del c.s.: $128,5 - 3,5\text{mm} = 125\text{mm}$ quindi codice sarà E-107 L125)



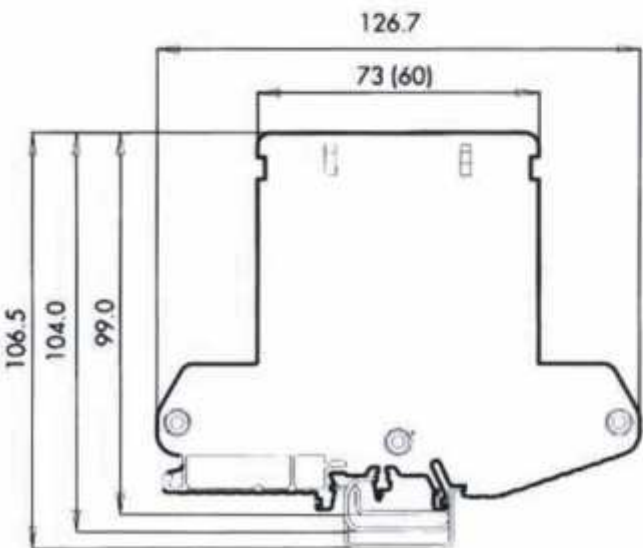
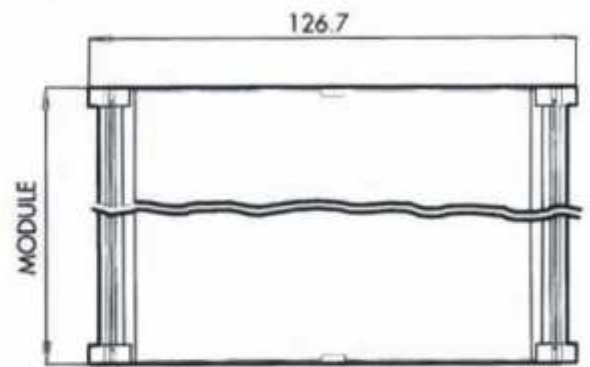
chiusura laterale con gancio E107CLGL



sezione supporto profilo



supporto profilo E107MT2 (E107CM) con gancio E107G



chiusura laterale alta con gancio E107CLGR73 (E107CLGR60)

