



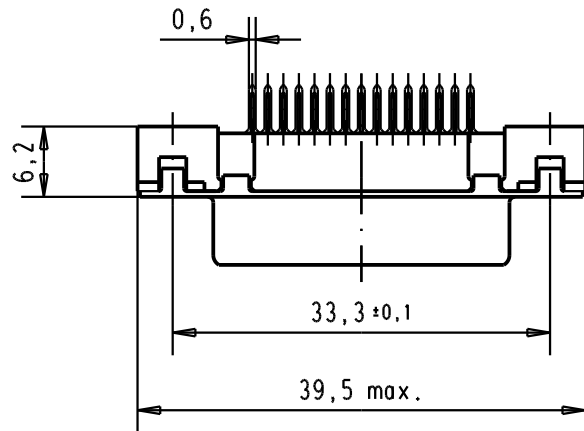
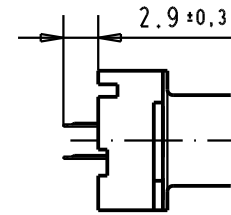
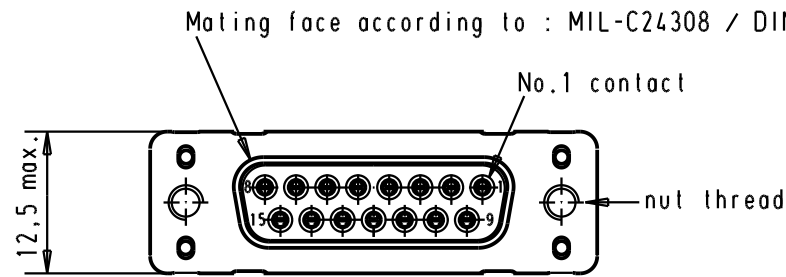
HESTORE.HU

elektronikai alkatrész áruház

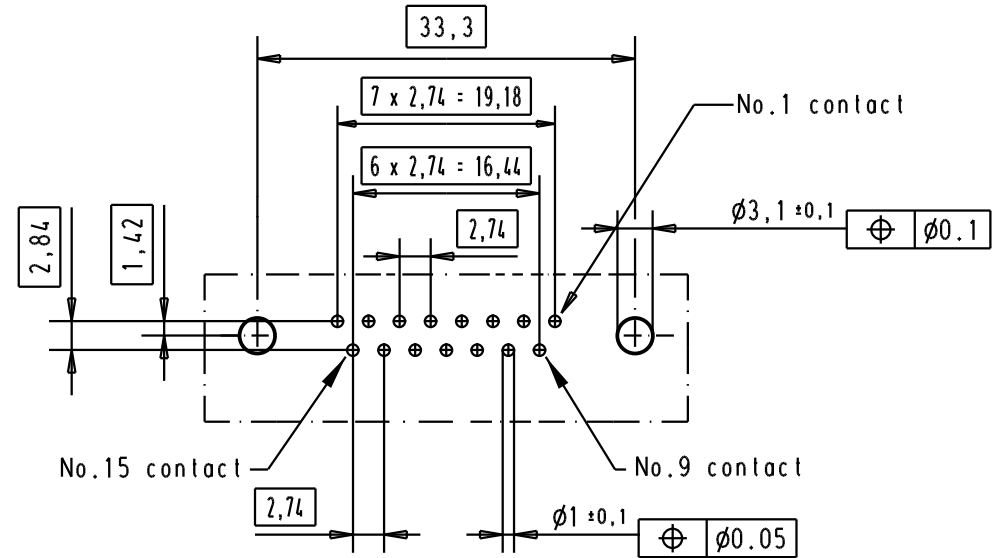
EN: This Datasheet is presented by the manufacturer.



Please visit our website for pricing and availability at www.hestore.hu.

5 4 3 2 1



Printed board layout component side



A	09 66 211 3501	M3	1							 All Dim. in mm Orig. Size DIN A 4	D-sub, 15 poles, female, straight, with solder pins 2.9, and nuts.	Maßstab/ Scale 1,5:1
	09 66 211 6501	M3	2				Detail.	05/03/02	CV			
	09 66 211 7501	M3	3				Insp.					
	09 66 211 3502	4-40 UNC	1				Stand.					
	09 66 211 6502	4-40 UNC	2	31892	05/05/04	JH	HARTING EURL F-95972 Paris					
	09 66 211 7502	4-40 UNC	3	29723	05/03/02	CV						
	Part number	Nut thread	Performance level	Mod.	Dat.	Name					TB 09 66 211 x50x Sub.	Blatt/ Page 2