



HESTORE.HU

elektronikai alkatrész áruház

EN: This Datasheet is presented by the manufacturer.

Please visit our website for pricing and availability at www.hestore.hu.

FEATURES AND SPECIFICATIONS

Features and Benefits

- Sizes 2 to 15 circuits
- Very low profile
- Molded-in pull tabs
- Friction lock

Reference Information

Packaging: Bag
 UL File No.: E29179
 CSA File No.: LR19980
 Mates With: [5267-NA-X](#) and [5268-NA](#)
 Use With: [5263](#) terminals
 Designed In: Millimeters

Electrical

Voltage: 250V
 Current:

AWG	22	24	26	28
Amperes	3.0	2.5	2.0	1.5

Contact Resistance: 20mΩ max.
 Dielectric Withstanding Voltage: 1000V AC/1 min.
 Insulation Resistance: 1000 MΩ min.

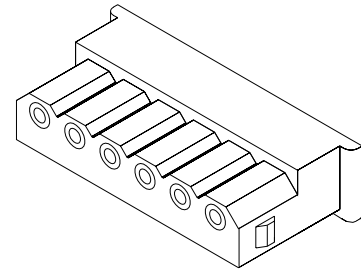
Physical

Housing: 6/6 nylon, UL 94V-0
 Operating Temperature: -40 to +105°C



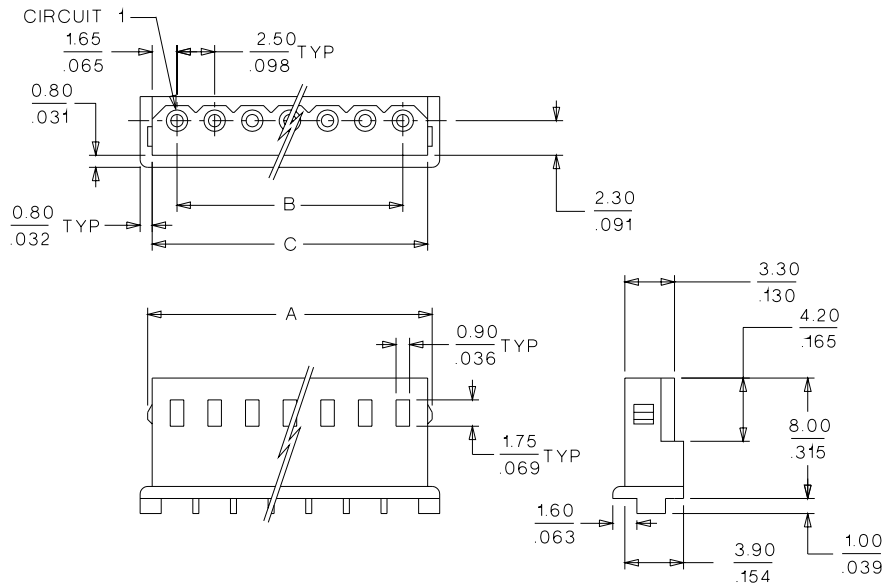
2.50mm (.098") Pitch SPOX™ Wire-to-Board Crimp Terminal Housing

5264-N Shrouded



B 2.00 to 2.50mm (.079 to .098") Pitch

CATALOG DRAWING (FOR REFERENCE ONLY)



ORDERING INFORMATION AND DIMENSIONS

Circuits	Order No.	Dimension		
		A	B	C
2	50-37-5023	6.40 (.252)	2.50 (.098)	5.80 (.228)
3	50-37-5033	8.90 (.350)	5.00 (.197)	8.30 (.327)
4	50-37-5043	11.40 (.449)	7.50 (.295)	10.80 (.425)
5	50-37-5053	13.90 (.547)	10.00 (.394)	13.30 (.524)
6	50-37-5063	16.40 (.646)	12.50 (.492)	15.80 (.622)
7	50-37-5073	18.90 (.744)	15.00 (.591)	18.30 (.720)
8	50-37-5083	21.40 (.843)	17.50 (.689)	20.80 (.819)
9	50-37-5093		20.00 (.787)	23.30 (.917)
10	50-37-5103		22.50 (.886)	25.80 (1.016)
11	50-37-5113		25.00 (.984)	28.30 (1.114)
12	50-37-5123		27.50 (1.083)	30.80 (1.213)
13	50-37-5133		30.00 (1.181)	33.30 (1.311)
14	50-37-5143		32.50 (1.280)	35.80 (1.409)
15	50-37-5153		35.00 (1.378)	38.30 (1.508)