



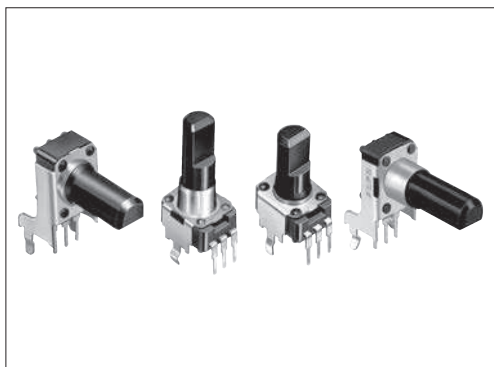
**HESTORE.HU**

elektronikai alkatrész áruház

**EN:** This Datasheet is presented by the manufacturer.

Please visit our website for pricing and availability at [www.hestore.hu](http://www.hestore.hu).

Compact type potentiometer with 9.8mm width is ideal for designing high density sets



**Typical Specifications**

Items		Specifications
Total resistance tolerance	Single-unit	±20%
	Dual-unit	±30%
Maximum operating voltage	Single-unit	50V AC, 20V DC
	Dual-unit	50V AC for AC only
Total rotational angle	Single-unit	RK09K: 280° ±5° RK09D: 300° ±5°
	Dual-unit	280° ±5°
Rotational torque		1 to 8mN·m
Operating life	Single-unit	5,000 cycles
	Dual-unit	10,000 cycles
Operating temperature range		-10°C to +70°C

**Product Line**

Number of resistor elements	Mounting direction	Total rotation angle	Collar (Sleeve type)	Shaft type	Length of the shaft LM <sub>1</sub> (mm)	Center detent	Total resistance(kΩ)	Resistance taper	Minimum order unit (pcs.)		Products No.	Drawing No.	
									Japan	Export			
Single-unit (20V DC)	Vertical type	280° ±5°	Without	Flat	15	With	10	1B	1,000	2,000	RK09K113004U	2	
						Without	5				RK09K1130AU2		
						Without	10				15A		RK09K1130A6S
							20				RK09K1130AJ3		
							50				RK09K1130ACM		
							10				RK09K1130ACL		
				Knob	20	5	RK09K1130AAU						
							With	10			1B		RK09K1130AH1
								30			RK09K1130BM4		
							Screw driver	15			10		RK09K1130A8G
													20
							Horizontal type H=6.5mm	Without			15		Without
	20	1B	RK09K1130A70										
	5	RK09K1130AP5											
	10	RK09K1130AV7											
	Knob	20	10	15A	RK09K1110A2S								
				1	RK09K1110AK4								
	Horizontal type H=10mm	With	15	Without	50	15A	RK09K1110AH8						
					10	1B	RK09K1110B1V						
					5	RK09K1110A0J							
					10	5	RK09K1110A0J						
					Flat	20	10	Without	10	1B	RK09K11100E9		
									50	6	RK09K1110B1R		
	Vertical type	With	300° ±5°	With	Flat	20	Without	10	1B	1,000	2,000	RK09D1130C1B	4
50								RK09D1130C2P					
10								RK09D1130A1L					
5								RK09D1130A1N					
10								RK09D1130A3W					
With					20	10	With	25				RK09D1130C3C	
								30				RK09D1130C3C	
								25				RK09D113000F	
								30				RK09D113000F	
								25				RK09D1110C0R	
Horizontal type H=10mm	Without	50	3	RK09D1110C0R									

**Note**

Other varieties are also available. Refer to "Other Specifications" (P.356).

Refer to P.356 for other specifications.  
Refer to P.357 for ordering products not listed.  
Refer to P.371 for soldering conditions.

**Product Line**

Number of resistor elements	Mounting direction	Total rotation angle	Collar (Sleeve type)	Shaft type	Length of the shaft LM <sub>1</sub> (mm)	Center detent	Total resistance (kΩ)	Resistance taper	Minimum order unit (pcs.)		Products No.	Drawing No.					
									Japan	Export							
Dual-unit (50V AC)	Vertical type	280° ±5°	Without	Flat	15	Without	10	15A	1,000	2,000	RK09K12C0A19	10					
					20		50						RK09K12C0A2S				
					30		10							RK09K12C0A4D			
					25								50	RK09K12C0A8P			
	30		With		10	15A	1,000				2,000	RK09K12C0A8K					
	15											9	RK09K12A0A2K				
	Horizontal type H=6.5mm												Without	20	50	1,000	2,000
												With					

**For the Mixing Console Market**

Number of resistor elements	Mounting direction	Total rotation angle	Collar (Sleeve type)	Shaft type	Length of the shaft LM <sub>1</sub> (mm)	Center detent	Total resistance (kΩ)	Resistance taper	Minimum order unit (pcs.)		Products No.	Drawing No.
									Japan	Export		
Single-unit (20V DC)	Vertical type	300° ±5°	With	Flat	30	With	10	1B	1,000	2,000	RK09D117000B	4
						Without		15A			RK09D117000C	

**Clear Shaft**

Number of resistor elements	Mounting direction	Total rotation angle	Collar (Sleeve type)	Shaft type	Length of the shaft LM <sub>1</sub> (mm)	Center detent	Total resistance (kΩ)	Resistance taper	Minimum order unit (pcs.)		Products No.	Drawing No.
									Japan	Export		
Single-unit (20V DC)	Vertical type	280° ±5°	Without	Knob	20	Without	10	1B	1,000	2,000	RK09K1130D62	7

**Note**

Other varieties are also available. Refer to "Other Specifications" (P.356).

**Packing Specifications**


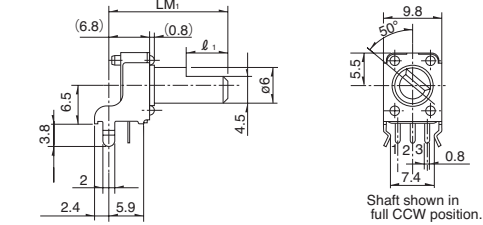
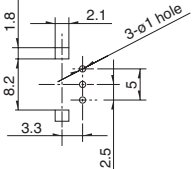
**Bulk**

Number of packages (pcs.)		Export package measurements (mm)
1 case / Japan	1 case / export packing	
1,000	2,000	368×530×180

**Dimensions**

Single-shaft, single-unit

Unit:mm

No.	Photo	Style	PC board mounting hole dimensions (Viewed from mounting side)						
1		<table border="1" style="margin-bottom: 10px;"> <tr> <td>LM<sub>1</sub></td> <td>15</td> <td>20</td> </tr> <tr> <td>ℓ<sub>1</sub></td> <td>6</td> <td>7</td> </tr> </table>  <p>Shaft shown in full CCW position.</p>	LM <sub>1</sub>	15	20	ℓ <sub>1</sub>	6	7	
LM <sub>1</sub>	15	20							
ℓ <sub>1</sub>	6	7							

Refer to P.356 for other specifications.  
Refer to P.357 for ordering products not listed.  
Refer to P.371 for soldering conditions.

■ Dimensions  
Single-shaft, single-unit

Unit:mm

No.	Photo	Style	PC board mounting hole dimensions (Viewed from mounting side)										
2	<p><b>Vertical type RK09K113</b></p>	<table border="1"> <tr> <td>LM<sub>1</sub></td> <td>15</td> <td>20</td> <td>25</td> <td>30</td> </tr> <tr> <td>ℓ<sub>1</sub></td> <td>6</td> <td>7</td> <td>12</td> <td>12</td> </tr> </table>	LM <sub>1</sub>	15	20	25	30	ℓ <sub>1</sub>	6	7	12	12	
LM <sub>1</sub>	15	20	25	30									
ℓ <sub>1</sub>	6	7	12	12									
3	<p><b>Horizontal type with collar RK09D111</b></p>												
4	<p><b>Vertical type with collar RK09D113 RK09D117</b></p>	<table border="1"> <tr> <td>LM<sub>1</sub></td> <td>20</td> <td>25</td> <td>30</td> </tr> <tr> <td>ℓ<sub>1</sub></td> <td>7</td> <td>12</td> <td>12</td> </tr> </table>	LM <sub>1</sub>	20	25	30	ℓ <sub>1</sub>	7	12	12			
LM <sub>1</sub>	20	25	30										
ℓ <sub>1</sub>	7	12	12										
5	<p><b>Horizontal type RK09K111</b></p>												
6	<p><b>Horizontal type RK09K111</b></p>	<table border="1"> <tr> <td>LM<sub>1</sub></td> <td>15</td> <td>20</td> </tr> <tr> <td>ℓ<sub>1</sub></td> <td>6</td> <td>7</td> </tr> </table>	LM <sub>1</sub>	15	20	ℓ <sub>1</sub>	6	7					
LM <sub>1</sub>	15	20											
ℓ <sub>1</sub>	6	7											

Rotary  
Potentiometers  
Slide  
Potentiometers

Metal  
Shaft

Insulated  
Shaft

Knob  
Operating

Ring  
Type

### ■ Dimensions

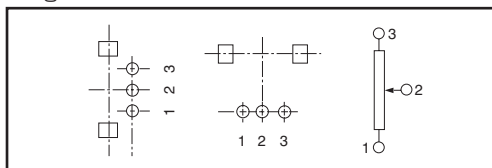
Single-shaft, single-unit

Unit:mm

No.	Photo	Style	PC board mounting hole dimensions (Viewed from mounting side)								
7	<p><b>Vertical type RK09K113</b></p>	<table border="1"> <tr> <td>LM<sub>1</sub></td> <td>15</td> <td>20</td> <td>30</td> </tr> <tr> <td>ℓ<sub>1</sub></td> <td>6</td> <td>7</td> <td>7</td> </tr> </table> <p>Mounting surface (The edge of the frame)</p> <p>Shaft shown in full CCW position.</p>	LM <sub>1</sub>	15	20	30	ℓ <sub>1</sub>	6	7	7	
LM <sub>1</sub>	15	20	30								
ℓ <sub>1</sub>	6	7	7								
8	<p><b>Vertical type RK09K113</b></p>	<table border="1"> <tr> <td>LM<sub>1</sub></td> <td>15</td> <td>20</td> </tr> <tr> <td>ℓ<sub>1</sub></td> <td>6</td> <td>7</td> </tr> </table> <p>Mounting surface (The edge of the frame)</p> <p>Shaft shown in full CCW position.</p>	LM <sub>1</sub>	15	20	ℓ <sub>1</sub>	6	7			
LM <sub>1</sub>	15	20									
ℓ <sub>1</sub>	6	7									

### ■ Terminal Layout / Circuit Diagram

Single-unit



### ■ Dimensions

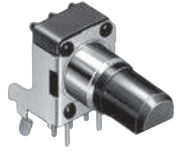
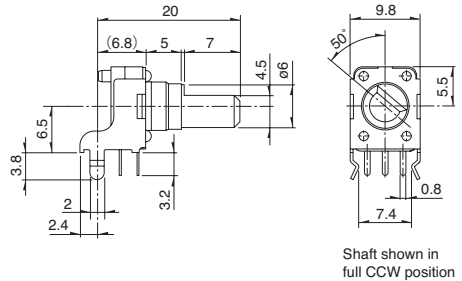
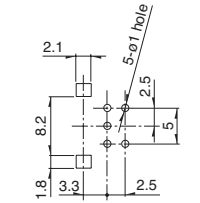

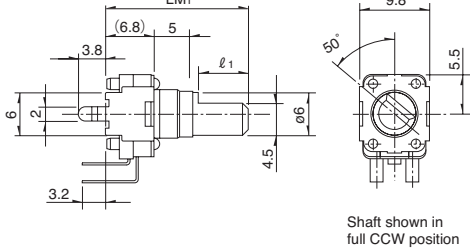
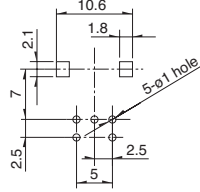
Single-shaft, dual-unit

Unit:mm

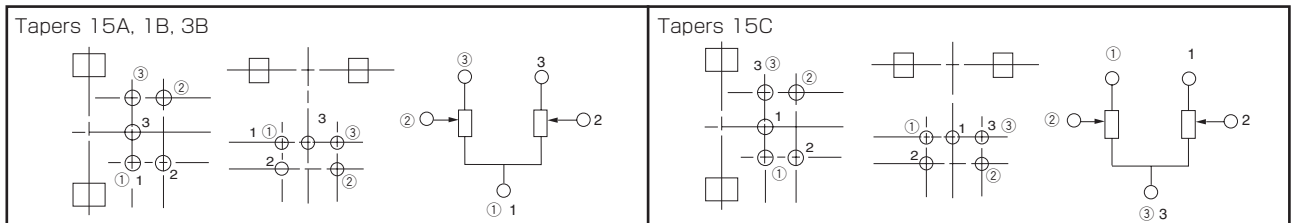
No.	Photo	Style	PC board mounting hole dimensions (Viewed from mounting side)								
9	<p><b>Horizontal type RK09K12A</b></p>	<table border="1"> <tr> <td>LM<sub>1</sub></td> <td>15</td> <td>20</td> </tr> <tr> <td>ℓ<sub>1</sub></td> <td>6</td> <td>7</td> </tr> </table> <p>Shaft shown in full CCW position</p>	LM <sub>1</sub>	15	20	ℓ <sub>1</sub>	6	7	<p>T=1.6</p>		
LM <sub>1</sub>	15	20									
ℓ <sub>1</sub>	6	7									
10	<p><b>Vertical type RK09K12C</b></p>	<table border="1"> <tr> <td>LM<sub>1</sub></td> <td>15</td> <td>20</td> <td>30</td> </tr> <tr> <td>ℓ<sub>1</sub></td> <td>6</td> <td>7</td> <td>12</td> </tr> </table> <p>Shaft shown in full CCW position</p>	LM <sub>1</sub>	15	20	30	ℓ <sub>1</sub>	6	7	12	
LM <sub>1</sub>	15	20	30								
ℓ <sub>1</sub>	6	7	12								

**■ Dimensions**  
Single-shaft, dual-unit

Unit:mm

No.	Photo	Style	PC board mounting hole dimensions (Viewed from mounting side)						
11	<p><b>Horizontal type with collar RK09K12A</b></p> 	 <p>Shaft shown in full CCW position</p>							
12	<p><b>Vertical type with collar RK09K12C</b></p> 	<table border="1" data-bbox="662 716 790 772"> <tr> <td>LM<sub>1</sub></td> <td>25</td> <td>30</td> </tr> <tr> <td>ℓ<sub>1</sub></td> <td>12</td> <td>12</td> </tr> </table>  <p>Shaft shown in full CCW position</p>	LM <sub>1</sub>	25	30	ℓ <sub>1</sub>	12	12	
LM <sub>1</sub>	25	30							
ℓ <sub>1</sub>	12	12							

**■ Terminal Layout / Circuit Diagram**  
Dual-unit



Rotary Potentiometers

Slide Potentiometers

Metal Shaft

Insulated Shaft

Knob Operating

Ring Type

# 9mm Size Insulated Shaft Snap-in Type / Other Specifications

In addition to the products listed, we can accommodate the follow specifications.

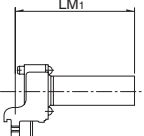
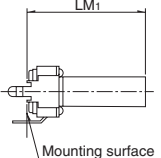
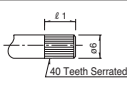
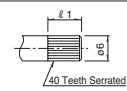
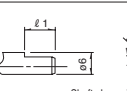
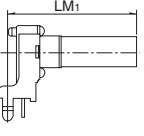
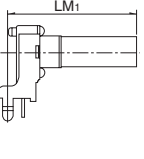
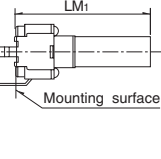
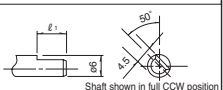
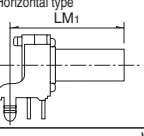
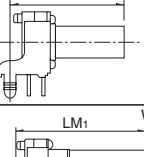
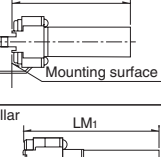
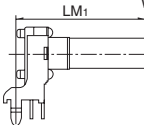
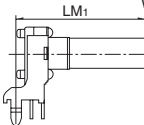
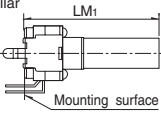
## Total Resistance Variety

Total resistance (k Ω)	5	10	20	50	100	200
------------------------	---	----	----	----	-----	-----

## Resistance Taper

Resistance taper	15A	1B	3B	15C
------------------	-----	----	----	-----

## Shaft Variety

Number of resistor elements	Style	Shaft type		Shaft color										
		Knob variety	Detail dimensions											
Single-unit	Horizontal type  Vertical type 	Knob type (φ6) 	<table border="1"> <tr> <td>LM<sub>1</sub></td> <td>15</td> <td>20</td> <td>25</td> <td>30</td> </tr> <tr> <td>l<sub>1</sub></td> <td>6</td> <td>7</td> <td>7</td> <td>7</td> </tr> </table>	LM <sub>1</sub>	15	20	25	30	l <sub>1</sub>	6	7	7	7	Black
		LM <sub>1</sub>	15	20	25	30								
		l <sub>1</sub>	6	7	7	7								
	Screw-driver adjustment type 	<table border="1"> <tr> <td>LM<sub>1</sub></td> <td>9.5</td> <td>15</td> <td>20</td> <td></td> </tr> <tr> <td>l<sub>1</sub></td> <td>—</td> <td>6</td> <td>7</td> <td></td> </tr> </table>	LM <sub>1</sub>	9.5	15	20		l <sub>1</sub>	—	6	7			
	LM <sub>1</sub>	9.5	15	20										
	l <sub>1</sub>	—	6	7										
Flat type 	<table border="1"> <tr> <td>LM<sub>1</sub></td> <td>15</td> <td>20</td> <td>25</td> <td>30</td> </tr> <tr> <td>l<sub>1</sub></td> <td>6</td> <td>7</td> <td>12</td> <td>12</td> </tr> </table>	LM <sub>1</sub>	15	20	25	30	l <sub>1</sub>	6	7	12	12			
LM <sub>1</sub>	15	20	25	30										
l <sub>1</sub>	6	7	12	12										
With collar  Vertical type 	Flat type 	<table border="1"> <tr> <td>LM<sub>1</sub></td> <td>15</td> <td>20</td> <td>25</td> <td>30</td> </tr> <tr> <td>l<sub>1</sub></td> <td>6</td> <td>7</td> <td>12</td> <td>12</td> </tr> </table>	LM <sub>1</sub>	15	20	25	30	l <sub>1</sub>	6	7	12	12	Gray (15, 20, 25) Black (30)	
	LM <sub>1</sub>	15	20	25	30									
	l <sub>1</sub>	6	7	12	12									
Flat type 	<table border="1"> <tr> <td>LM<sub>1</sub></td> <td>20</td> <td>25</td> <td>30</td> <td></td> </tr> <tr> <td>l<sub>1</sub></td> <td>7</td> <td>12</td> <td>12</td> <td></td> </tr> </table>	LM <sub>1</sub>	20	25	30		l <sub>1</sub>	7	12	12		Black		
LM <sub>1</sub>	20	25	30											
l <sub>1</sub>	7	12	12											
Dual-unit	Horizontal type  Vertical type 	Flat type 	<table border="1"> <tr> <td>LM<sub>1</sub></td> <td>15</td> <td>20</td> <td>25</td> <td>30</td> </tr> <tr> <td>l<sub>1</sub></td> <td>6</td> <td>7</td> <td>12</td> <td>12</td> </tr> </table>	LM <sub>1</sub>	15	20	25	30	l <sub>1</sub>	6	7	12	12	Black
	LM <sub>1</sub>	15	20	25	30									
l <sub>1</sub>	6	7	12	12										
With collar  Vertical type 	Flat type 	<table border="1"> <tr> <td>LM<sub>1</sub></td> <td>20</td> <td>25</td> <td>30</td> <td></td> </tr> <tr> <td>l<sub>1</sub></td> <td>7</td> <td>12</td> <td>12</td> <td></td> </tr> </table>	LM <sub>1</sub>	20	25	30		l <sub>1</sub>	7	12	12			
LM <sub>1</sub>	20	25	30											
l <sub>1</sub>	7	12	12											

### Notes

1.    Marked are specifications recommended by Alps.
2. RK09D1 17 is only for flat type of 20mm, 25mm, 30mm

# 9mm Size Insulated Shaft Snap-in Type / Ordering Products Not Listed

When ordering product varieties that are not listed in the Product Line, please specify by referring to the below example.

## Sample Part Number

**R K 0 9 K 1 1 3 0** — **F 2 0** — **C 0** — **B 1 0 3**

### Model type

Code	Model type
K111	280°single-unit horizontal type H=6.5
K113	280°single-unit vertical type
D111	300°single-unit horizontal type H=10
D113	300°single-unit vertical type
K12A	280°dual-unit horizontal type H=6.5
K12C	280°dual-unit vertical type

\*All RK09D types are single-ganged.  
 \*For other horizontal type mount height requirements, please indicate separately.

### Shaft type

Code	Shaft type	Code	Shaft type
F	Flat	X	Screw driver
K	Knob	—	—

\*All RK09D types are only available in flat format.

### Length of the shaft LM<sub>1</sub> (mm)

Code	Length of the shaft	Code	Length of the shaft
15	15	25	25
20	20	30	30

\*20, 25 and 30 are the only available RK09D types.  
 \*9.5, 15 and 20 are the only available models in the Screwdriver shape.

### Detent

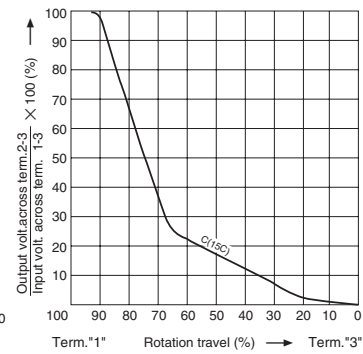
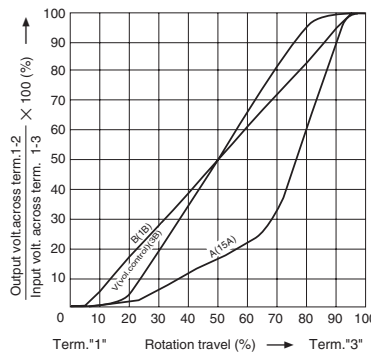
Code	Center detent
C0	Without
C1	With

### Resistance taper

Code	Resistance taper	Code	Resistance taper
A	15A	C	15C
B	1B	V	3B

B: For tone & general  
 V: For vol.

\*1B is a recommended specification for single-unit.  
 \*3B is a recommended specification for dual-unit.



### Total resistance

Code	Total resistance (k Ω)	Code	Total resistance (k Ω)
502	5	503	50
103	10	104	100
203	20	204	200

### Notes














1. RK09D comes with a collar.
2. The recommended specification for RK09K does not include a collar. For collar requirements please indicate separately.
3.    Marked are specifications recommended by Alps.





# Insulated Shaft Potentiometers

## List of Varieties

Type	9mm size			11mm size	12mm size		14mm size	
Series	RK09K11 RK09D11	RK09K12	RK09Y11L	RK11K	RK12L12	RK12L115	RK14K	
	Single-unit	Dual-unit	Single-unit	Single-unit	Dual-unit	Single-unit	Dual-unit	
Photo								
Terminal mounting	Vertical / Horizontal		Horizontal	Vertical / Horizontal		Vertical	Vertical / Horizontal	
Bushing	Without			With / Without	Without	With	With / Without	
Operating temperature range	-10°C to + 70°C					-40°C to + 85°C	-10°C to + 70°C	
Operating life	5,000 cycles	10,000 cycles	1,000,000 cycles	15,000 cycles				
Available for automotive use	—	—	—	—	—	●	—	
Life cycle								
Electrical performance	Total resistance (k Ω)	5, 10, 20, 50, 100, 200		10	5, 10, 20, 50, 100, 200		5, 10, 20, 50, 100	5, 10, 20, 50, 100, 200
	Resistance taper	15A, 1B, 3B, 15C		B	15A, 1B, 3B, 15C		15A, 1B, 3B	15A, 1B, 3B, 15C
	Total resistance tolerance	±20%	±30%	±30%	±20%			
	Rated power	0.05W	0.03W	0.01W	0.05W			
	Maximum operating voltage	50V AC 20V DC	50V AC for AC only	50V AC 5V DC	50V AC 20V DC	50V AC for AC only	50V AC 20V DC	50V AC for AC only
	Gang error	—	-40dB to 0dB 3dB max.	—	—	Volume control -40dB to 0dB 3dB max. For tone control within 2dB at center	—	Volume control -40dB to 0dB 3dB max. For tone control within 2dB at center
	Insulation resistance	100MΩ min. 250V DC			100MΩ min. 500V DC	100MΩ min. 250V DC		
	Voltage proof	250V AC for 1minute			500V AC for 1minute	300V AC for 1minute		
	Center-taps	Without			Without / With	Without		Without / With (Volume control)
	Mechanical performance	Detent	Without, Center		Without	Without, Center	Without	Custom
Stopper strength		0.3N·m		—	Without bushing 0.5N·m With bushing 0.6N·m	0.5N·m		0.6N·m
Push-pull strength		50N max.		30N max.	80N max.			
Vibration		10 to 55 to 10Hz/min., the amplitude is 1.5mm for all the frequencies, in the 3 direction of X, Y and Z and for 2 hours respectively						
Shaft configuration	Flat type, Knob type, Screwdriver type			Flat type				
Terminal style	Insertion							
Page	351		358	359	363	366	367	

Insulated Shaft Potentiometers Soldering Conditions	371
Potentiometers Cautions	427
Potentiometers Measurement and Test Methods	429
Potentiometers Resistance Taper	431

### Note

● Indicates applicability to all products in the series.

## ■ Reference for Manual Soldering

Series	Tip temperature	Soldering time	No. of solders
<b>RK09D, RK09K, RK09Y11L, RK11K, RK12L, RK12L115, RK14K</b>	350°C max.	3s max.	1 time

## ■ Reference for Dip Soldering

Series	Preheating		Dip soldering		No. of solders
	Soldering surface temperature	Heating time	Soldering temperature	Soldering time	
<b>RK12L</b>	100°C	1 min. max.	260°C max.	5s max.	2 time max.