



**HESTORE.HU**

elektronikai alkatrész áruház

**EN:** This Datasheet is presented by the manufacturer.

Please visit our website for pricing and availability at [www.hestore.hu](http://www.hestore.hu).

## FEATURES

- Miniature reed relay, cost-effective, switching solution
- Pin out 1357 & 1267
- Diode version are available for customer selection
- Washable type
- Using at security system, modem and other telecommunication products



UL FILE NO.: E126157  
CUL FILE NO.: E126157

## ORDERING INFORMATION

**R1** — **D** **1A** **05** **00**  
 1                      2                      3                      4                      5

1. Type  
2. Diode  
    Nil : Standard Type  
    D : With Diode  
3. Contact Arrangement  
    1A : 1 Form A  
4. Coil Nominal Voltage
5. Terminals Type  
    00:Pin Out 1357  
    50:Pin Out 1267

## CONTACT RATING

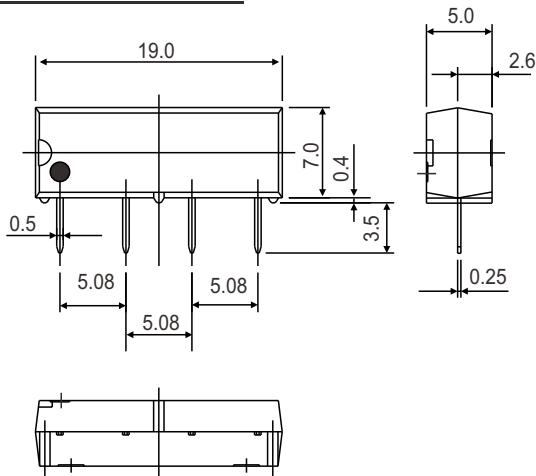
Resistive (Cos.θ = 1)	Switch Current	0.5 ADC Max.
	Carry Current	1.0 ADC Max.

## COIL DATA

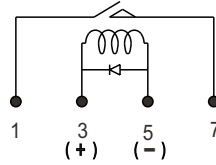
Coil Nominal Voltage (VDC)	Maximum Operate Voltage(V)	Resistance Tol.±10% (Ohms)	Maximum Pick Up Voltage(V)	Minimum Drop Out Voltage (V)	Nominal Input Power (mW)
5	16	500	3.75	0.8	50
12	20	1,000	9.0	1.0	144
24	32	2,150	18.0	2.0	268

## DIMENSIONS: ±0.2mm

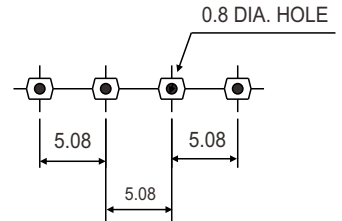
### PIN OUT 1357



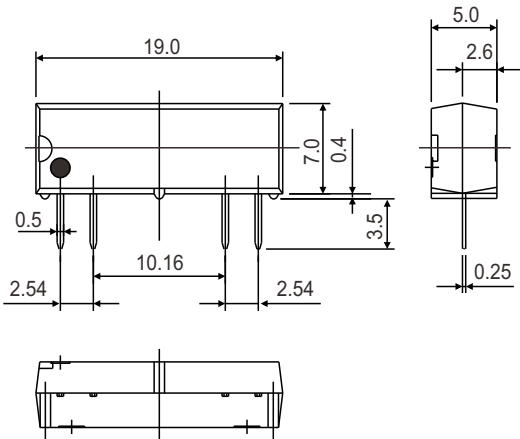
WIRING DIAGRAM  
(BOTTOM VIEW)



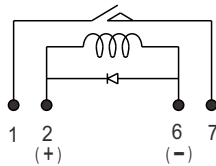
P.C.B LAYOUT  
(BOTTOM VIEW)



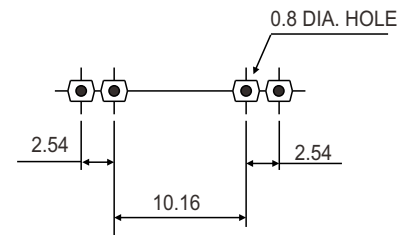
### PIN OUT 1267



WIRING DIAGRAM  
(BOTTOM VIEW)



P.C.B LAYOUT  
(BOTTOM VIEW)



## GENERAL DATA

Insulation Resistance	1,000 MΩ Min. (DC 100V)
Dielectric Strength	250 VDC between contact.
	1,400 VDC between all elements.
Contact Material	Silver- Cadmium Oxide as standard.
Contact Resistance	150 milliohms max. ( initial value )
Switching Current	1A, 2A, 1B : 0.5ADC Max., 1C : 0.2ADC Max.
Carry Current	1A, 2A, 1B : 1.0ADC Max., 1C : 0.5ADC Max.
Switching Power	1A, 2A, 1B : 10VA Max. 1C : 3VA Max.
Operation Time	1 ms max.
Release Time	0.5 ms max.
Temperature Range	- 40°C ~ + 85°C
Expected Life	With operation rate 30/min. Mechanical - 10,000,000 operations min. Electrical - 100,000 operations min. at rated load.
Weight	1.4 grams