



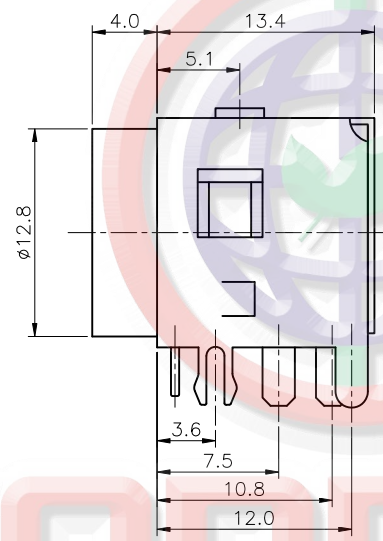
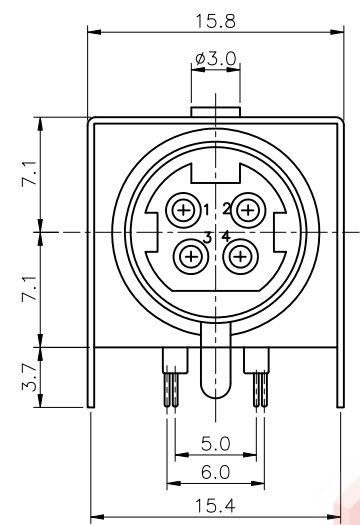
**HESTORE.HU**

elektronikai alkatrész áruház

**EN:** This Datasheet is presented by the manufacturer.

Please visit our website for pricing and availability at [www.hestore.hu](http://www.hestore.hu).

REV.	DESCRIPTION	DRAWN	CHECKED	APPROVED
A	NEW RELEASE	LJH11/16/05'		LJC11/16/05'
B	DRAWING UPDATE	JLZ 07/25/16'		

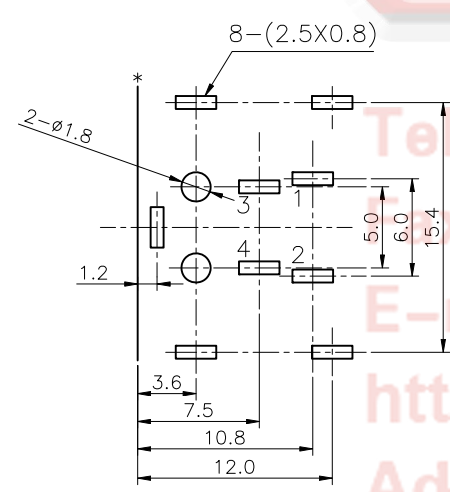


NOTES:

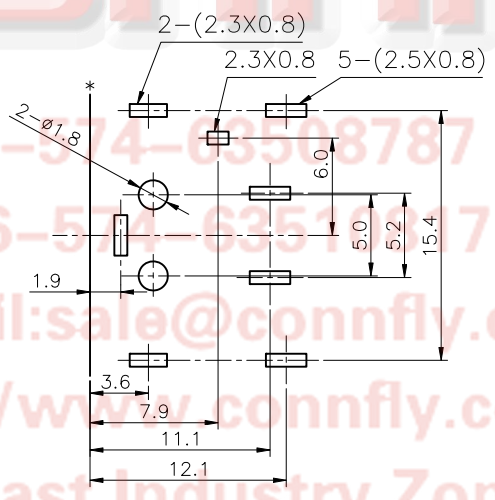
- SPECIFICATIONS:
  - VOLTAGE RATING: 30V DC.
  - CONTACT CURRENT RATING: 1A MAX. PER PIN.
  - CONTACT RESISTANCE: 30 MILLIOHMS MAX.
  - DIELECTRIC WITHSTANDING VOLTAGE: 500V AC(rms) FOR 1 MINUTE.
  - INSULATION RESISTANCE: 1000 MEGAOHMS MIN.
  - OPERATING TEMPERATURE: -40°C~+105°C.
- PRODUCT NUMBER CODE:
 

DS1093-05 - X X X X X

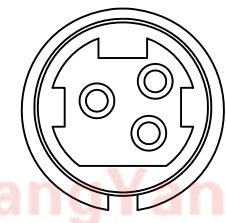
- Shell support
- X: W/O Shell
- S: W/ Shell
- Contact plating
- 6: Tin
- No.of contacts:
- 4: 4 pin
- 3: 3 pin
- Shell Plating:
- N: Nickel
- 6: Tin
- Color of housing
- B: Black
- Series No.
- DS1093-05



FOR 4PIN ONLY  
RECOMMEND PCB LAYOUT  
(TOLERANCE=±0.05)



FOR 3PIN ONLY  
RECOMMEND PCB LAYOUT  
(TOLERANCE=±0.05)



3 pin

GENERAL TOLERANCE		ANGLE TOLERANCE		PROJECTION		TITLE
X.	±0.60	X.	±5°	UNITS	mm	MINI DIN 422 TYPE
.X	±0.38	.X	±3°	SHEET SIZE	A4	SERIES DS1093-05 SERIES
.XX	±0.25	.XX	±2°	晨翔电子有限公司 <b>CONNFLY CONNFLY ELECTRONIC CO. LTD</b>		
DRAWING TYPE		CUSTOMER				
SCALE		1:1 SHEET 1 OF 1				
DRAWING NO.		C-DS1093-05-XXXXX-B				