



HESTORE.HU

elektronikai alkatrész áruház

EN: This Datasheet is presented by the manufacturer.

Please visit our website for pricing and availability at www.hestore.hu.

Parallel Style Air Gripper Standard Type/With Dust Cover

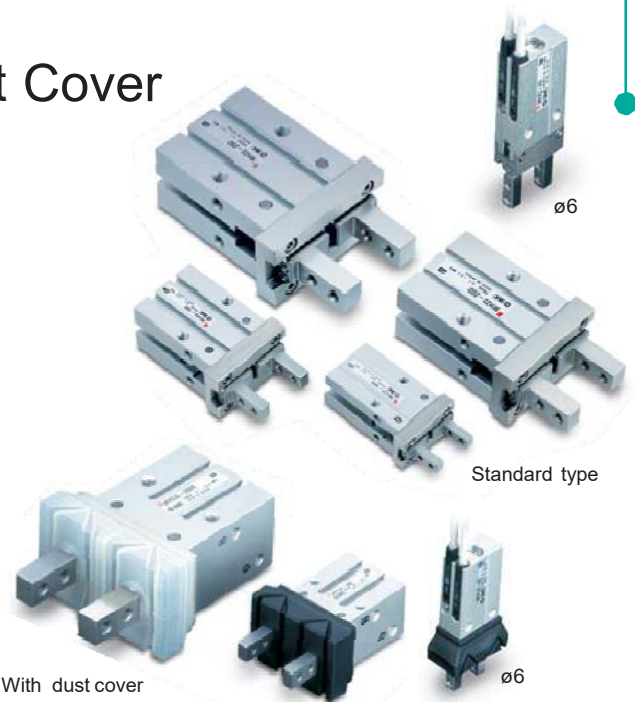
Series **MHZ2/MHZJ2**

Size MHZ2: 6, 10, 16, 20, 25, 32, 40

Size MHZJ2: 6, 10, 16, 20, 25

Features

- ➔ Autoswitches can be added.
- ➔ Single and double acting design.
- ➔ **MHZ2:** General purpose compact grippers with integral linear guide that provides high rigidity and high accuracy.
- ➔ **MHZJ2:** Air grippers with dust-protected and drip-proof construction. Interchangeable in mounting dimensions with the standard models.
A wider selection of dust cover materials is available to suit your application, please refer to Best Pneumatics catalogue.



Specifications

Fluid		Air	
Operating pressure	Double acting		ø6: 0.15 to 0.7 MPa ø10: 0.2 to 0.7 MPa ø16 to ø40: 0.1 to 0.7 MPa
	Single acting	Normally open	ø6: 0.3 to 0.7 MPa ø10: 0.35 to 0.7 MPa
		Normally closed	ø16 to ø40: 0.25 to 0.7 MPa
Ambient and fluid temperature		-10 to 60°C	
Repeatability		ø6 to ø25: ±0.01 mm ø32, ø40: ±0.02 mm	
Max. operating frequency		ø6 to ø25: 180 c.p.m. ø32, ø40: 60 c.p.m.	
Lubrication		Not required	
Action		Double acting/Single acting	
Auto switch (Option) <small>(Note)</small>		Solid state switch (3-wire, 2-wire)	

Model

Action	Model	Bore size (mm)	Gripping force ⁽¹⁾		Opening/Closing stroke (Both sides) (mm)	
			Gripping force per finger Effective value (N)			
			External	Internal		
Double acting	MHZO2-6D	6	3.3	6.1	4	
	MHZO2-10D	10	11	17	4	
	MHZO2-16D	16	34	45	6	
	MHZO2-20D	20	42	66	10	
	MHZO2-25D	25	65	104	14	
	MHZ2-32D	32	158	193	22	
	MHZ2-40D	40	254	318	30	
	Single acting	Normally open	MHZO2-6S	6	1.9	4
			MHZO2-10S	10	7.1	4
			MHZO2-16S	16	27	6
MHZO2-20S			20	33	10	
MHZO2-25S			25	45	14	
MHZ2-32S			32	131	22	
Single acting	Normally closed	MHZO2-6C	6	—	3.7	4
		MHZO2-10C	10	—	13	4
		MHZO2-16C	16	—	38	6
		MHZO2-20C	20	—	57	10
		MHZO2-25C	25	—	83	14
		MHZ2-32C	32	—	161	22
MHZ2-40C	40	—	267	30		

Note 1) Values based on pressure of 0.5 MPa, gripping point L = 20 mm, at center of stroke.
Note 2) Except auto switch.

How to Order

MHZ 2 — 16 **D**

Options

Nil	Standard
J	Dust Cover (ø6 to ø25) Chloroprene rubber, (CR)

Number of fingers

2	2 fingers
---	-----------

Bore size

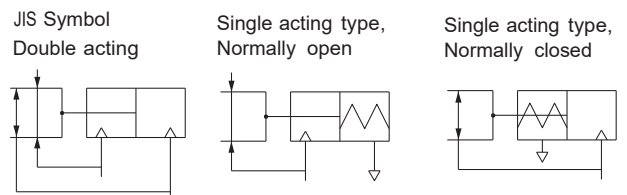
6	6mm
10	10mm
16	16mm
20	20mm
25	25mm
32	32mm
40	40mm

Action

D	Double acting
S	Single acting (Normally open)
C	Single acting (Normally closed)

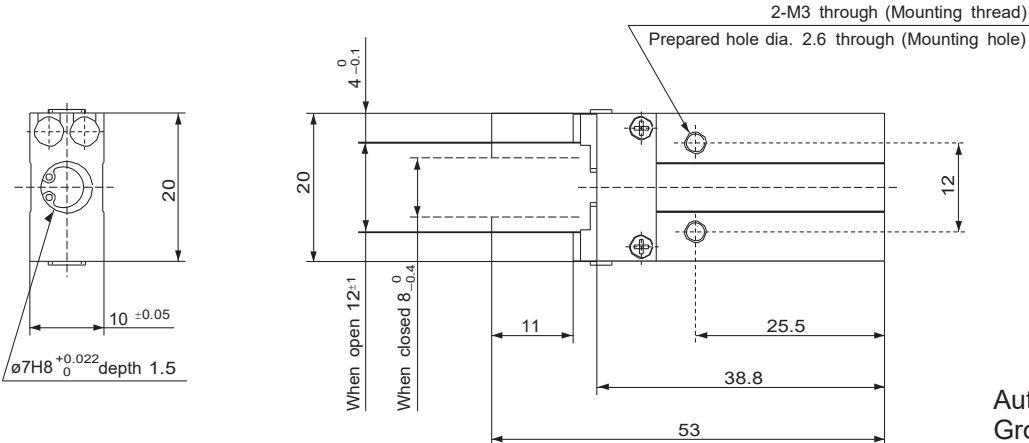
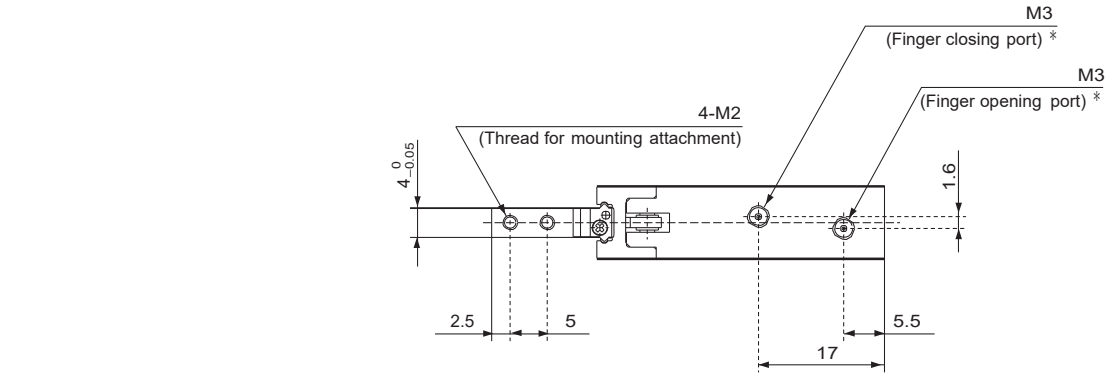
* Note) Further finger and body options available, refer to Best Pneumatics.

➔ **Auto Switch Specifications**
Refer to switch section.

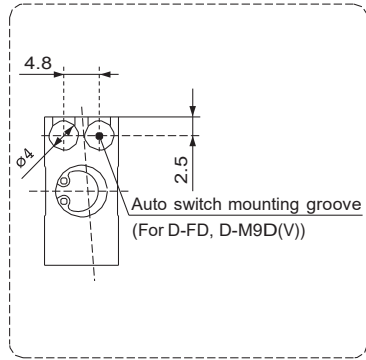


Parallel Style Air Gripper
Standard Type/With Dust Cover Series **MHZ2/MHZJ2**

Dimensions: MHZ2-6D Double acting/Single acting. Basic type



Auto Switch Mounting Groove Dimensions

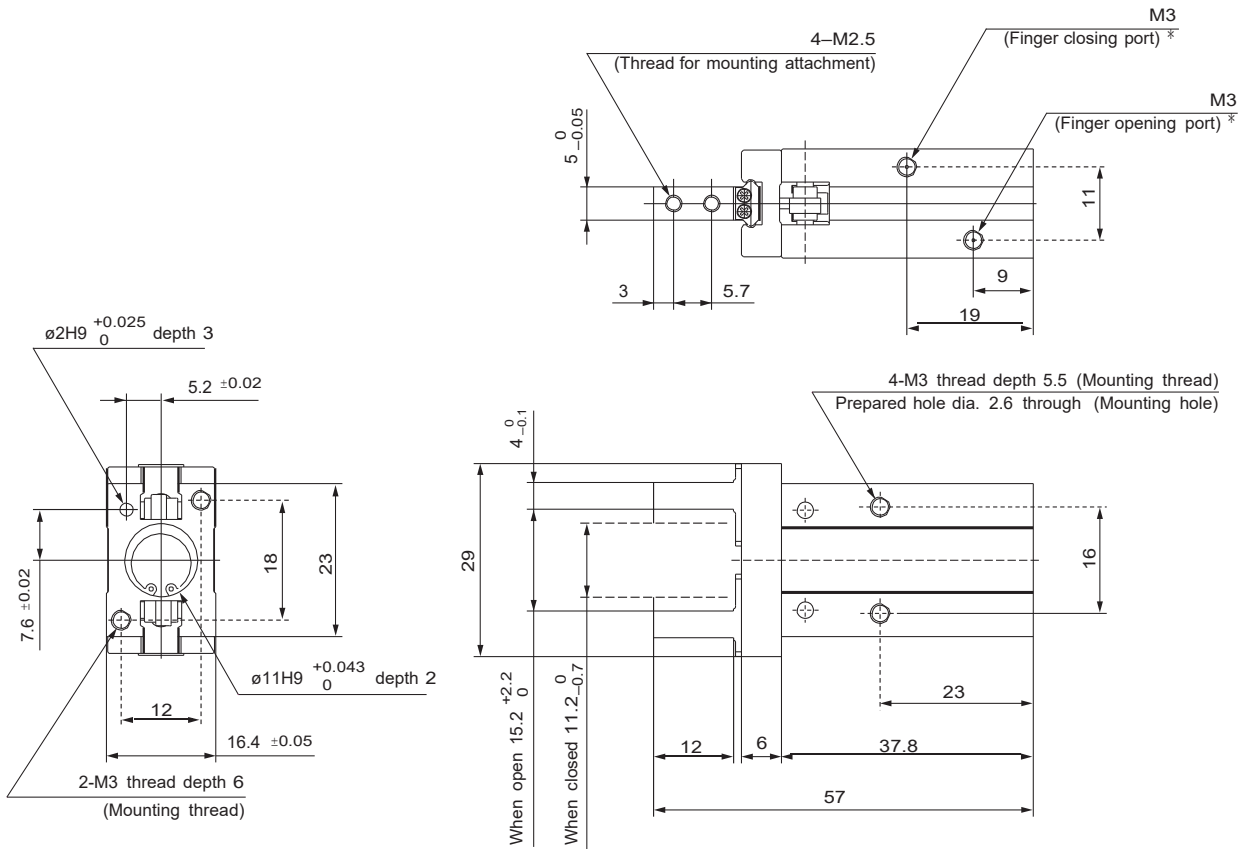


* For single action, the port on one side is a breathing hole.

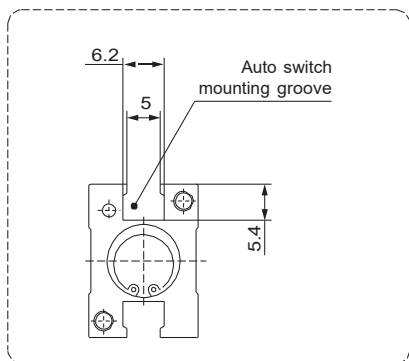


Series **MHZ2/MHZJ2** Parallel Style Air Gripper
Standard Type/With Dust Cover

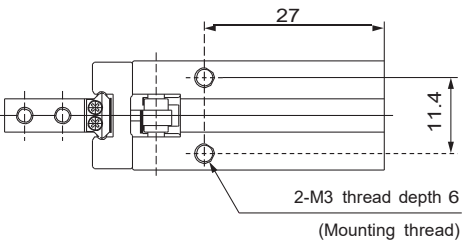
Dimensions: MHZ2-100 Double acting/Single acting. Basic type



Auto Switch Mounting Groove Dimensions

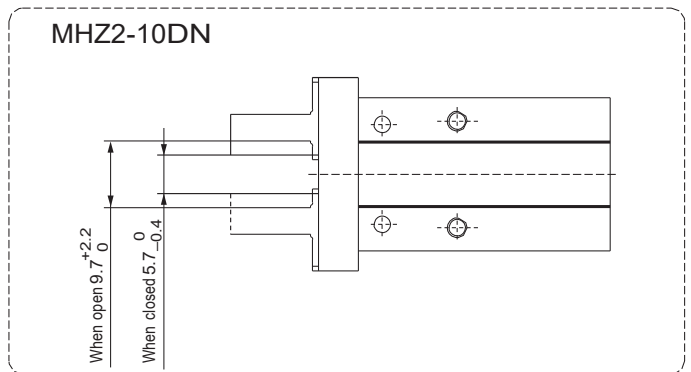


Note) When using D-Y59, D-Y69 and D-Y7 type auto switches, through-hole mounting is not possible.

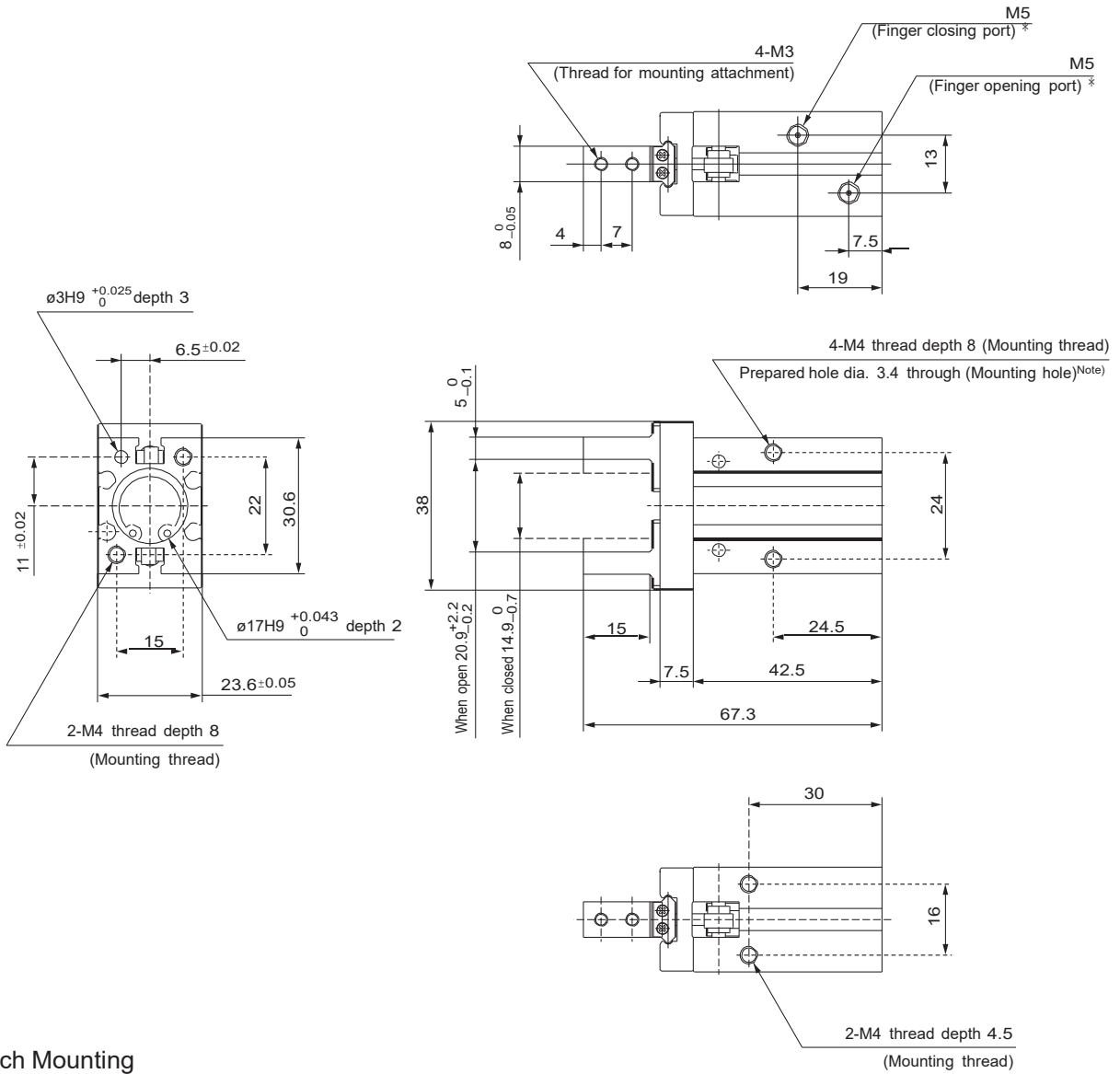


* For single action, the port on one side is a breathing hole.

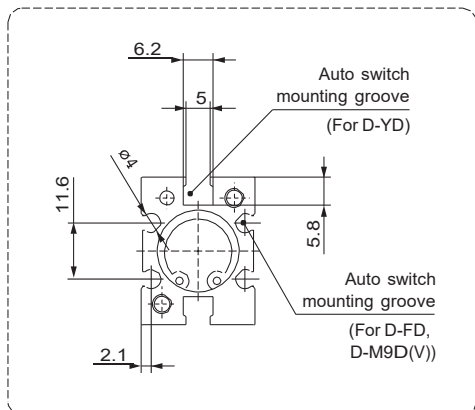
Finger Position/Narrow Type



Dimensions: MHZ2-16D Double acting/Single acting. Basic type



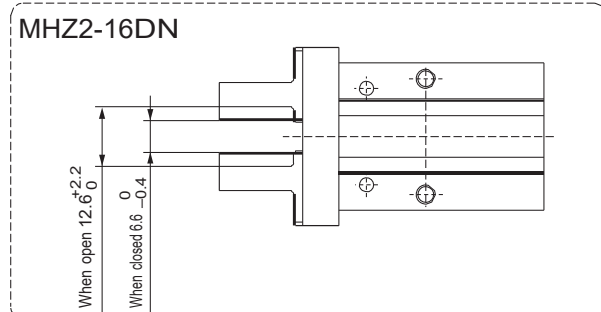
Auto Switch Mounting Groove Dimensions



Note) When using D-Y59, D-Y69 and D-Y7 type auto switches, through-hole mounting is not possible.

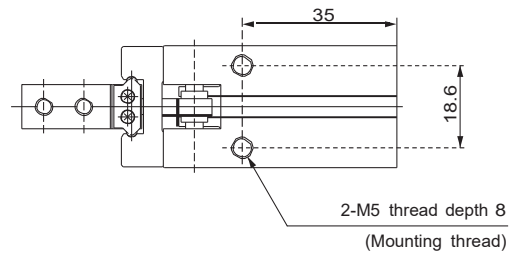
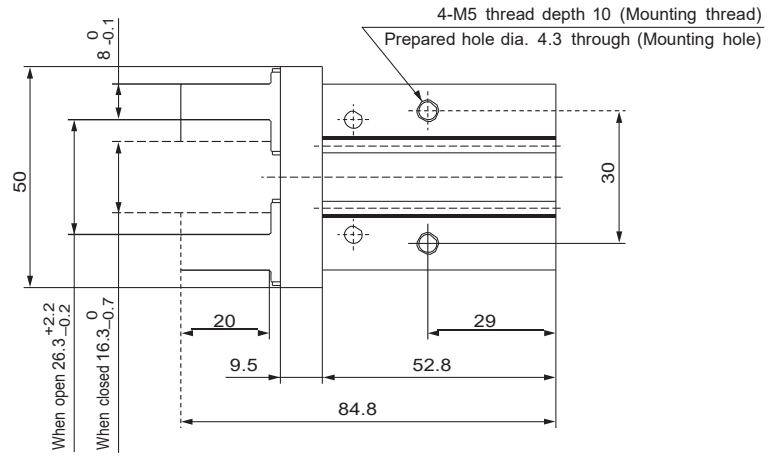
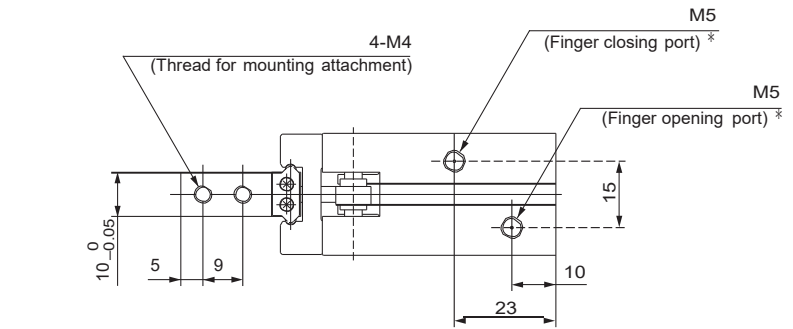
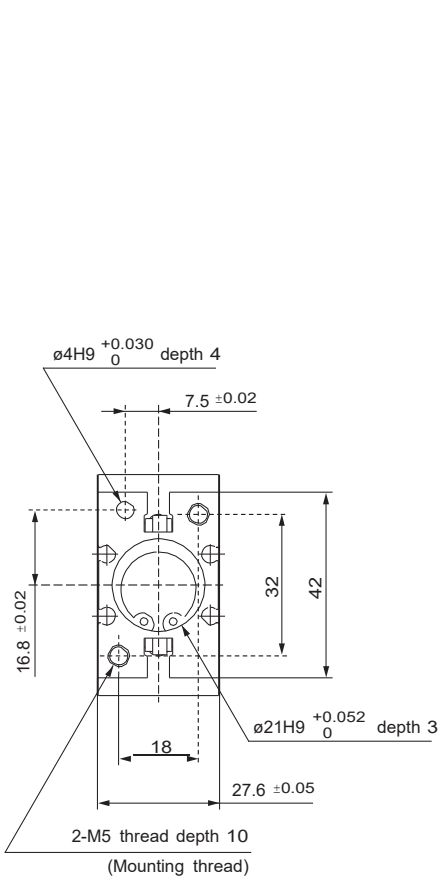
* For single action, the port on one side is a breathing hole.

Finger Position/Narrow Type



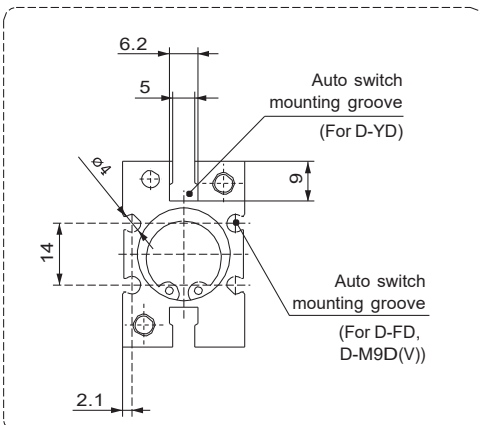
Series **MHZ2/MHZJ2** Parallel Style Air Gripper
Standard Type/With Dust Cover

Dimensions: MHZ2-20D Double acting/Single acting. Basic type



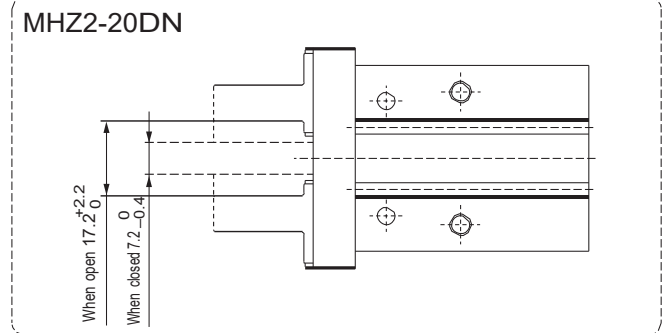
* For single action, the port on one side is a breathing hole.

Auto Switch Mounting Groove Dimensions

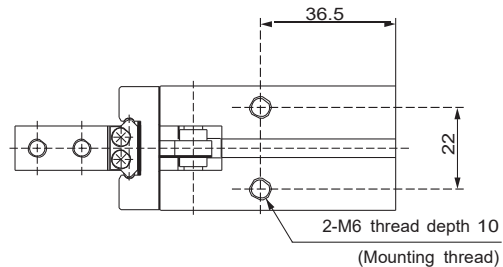
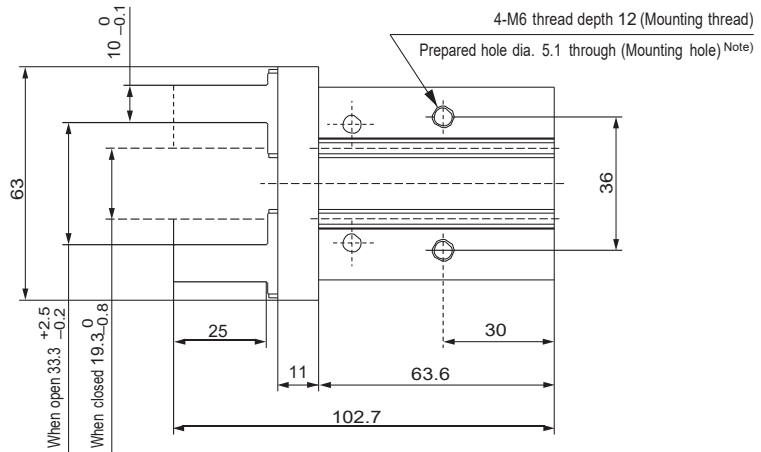
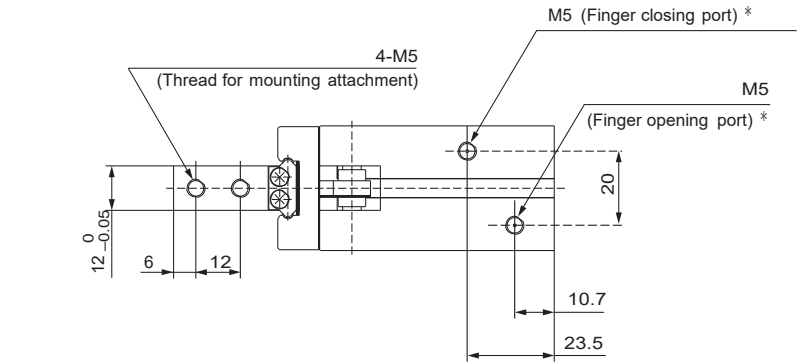
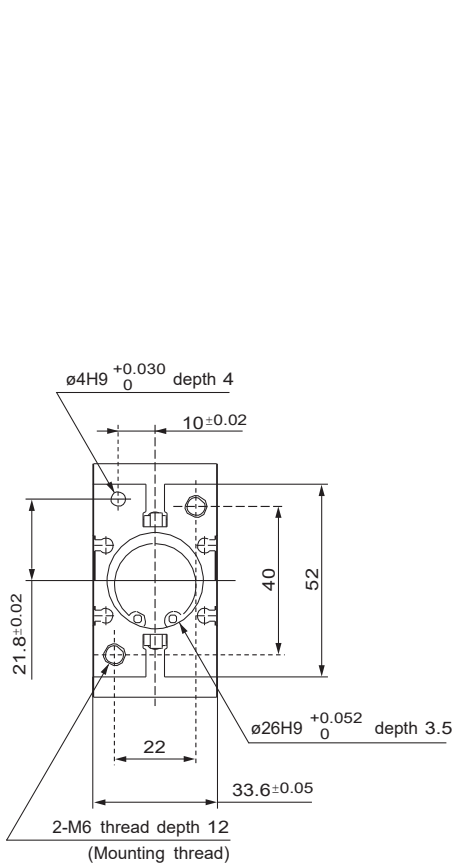


Note) When using D-Y59, D-Y69 and D-Y7 type auto switches, through-hole mounting is not possible.

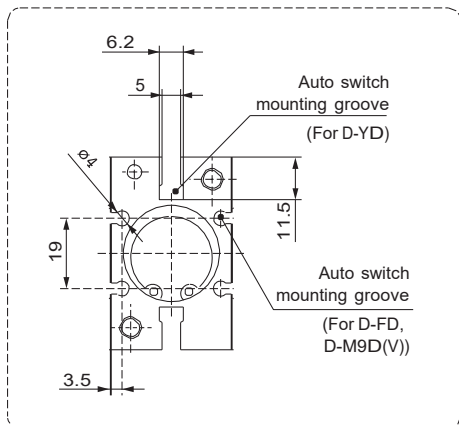
Finger Position/Narrow Type



Dimensions: MHZ2-250 Double acting/Single acting. Basic type



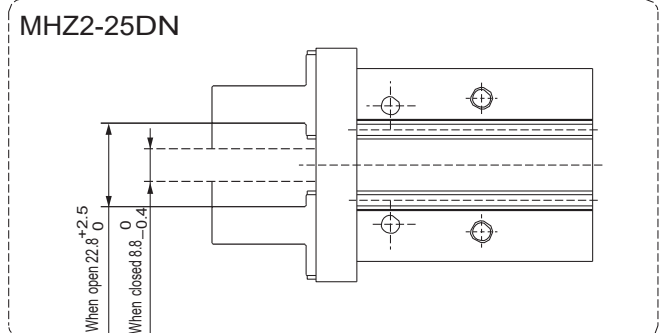
Auto Switch Mounting Groove Dimensions



Note) When using D-Y59, D-Y69 and D-Y7 type auto switches, through-hole mounting is not possible.

* For single action, the port on one side is a breathing hole.

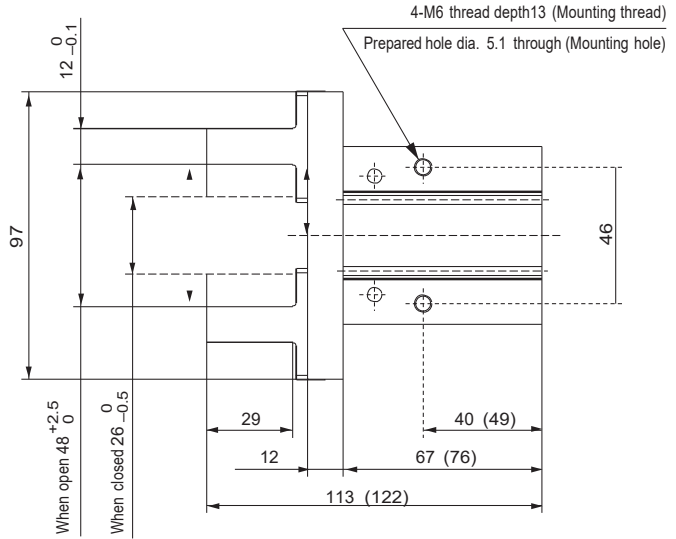
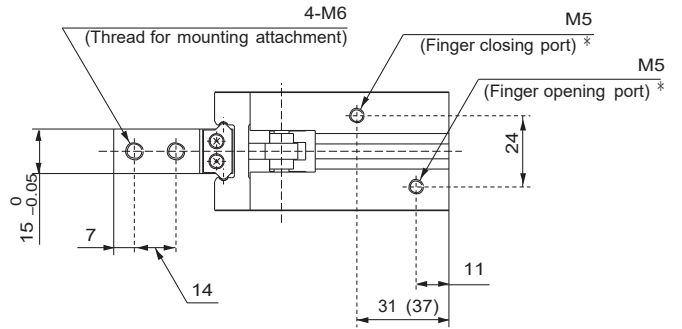
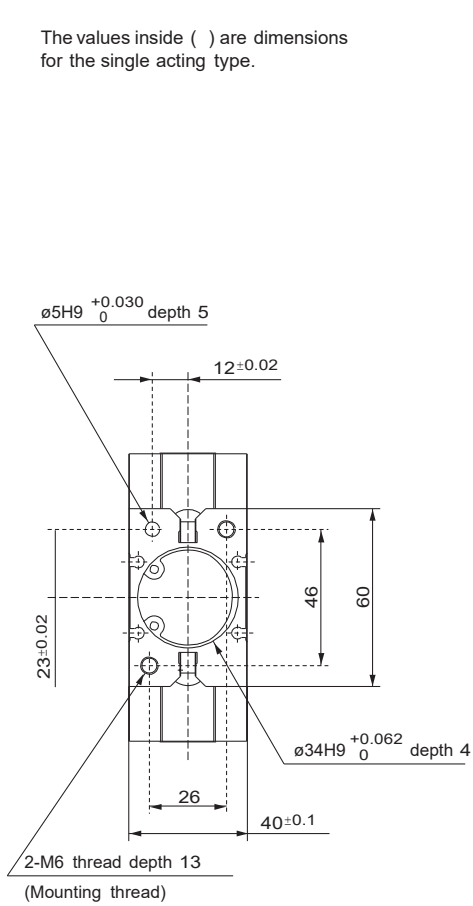
Finger Position/Narrow Type



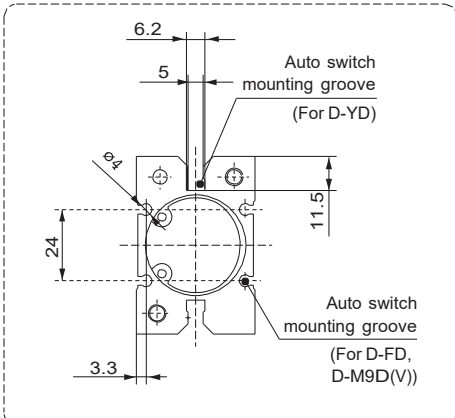
Series MHZ2/MHZJ2 Parallel Style Air Gripper Standard Type/With Dust Cover

Dimensions: MHZ2-32D Double acting/Single acting. Basic type

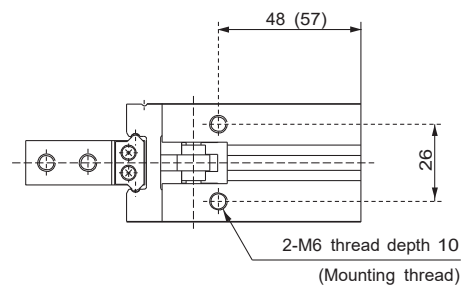
The values inside () are dimensions for the single acting type.



Auto Switch Mounting Groove Dimensions



Note) When using D-Y59, D-Y69 and D-Y7 type auto switches, through-hole mounting is not possible.

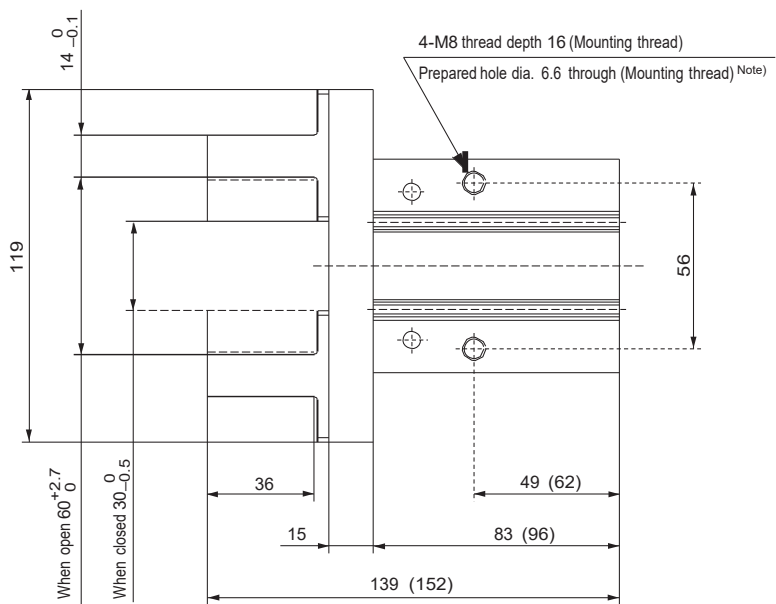
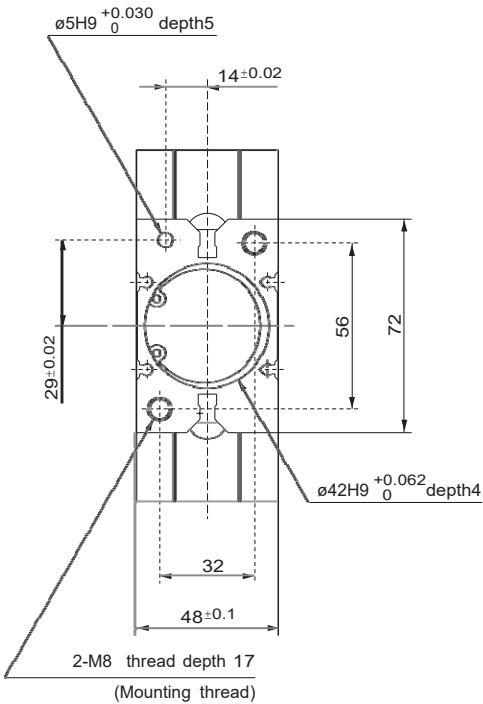
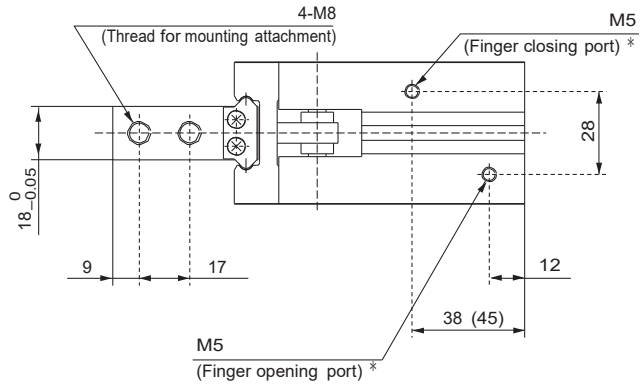


* For single action, the port on one side is a breathing hole.

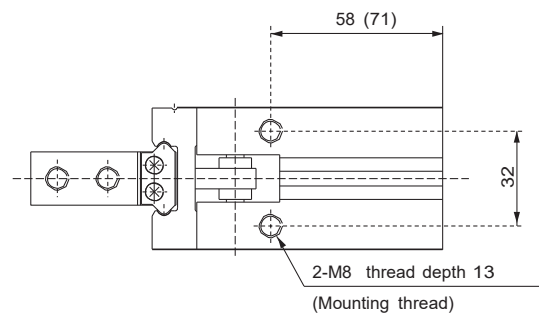
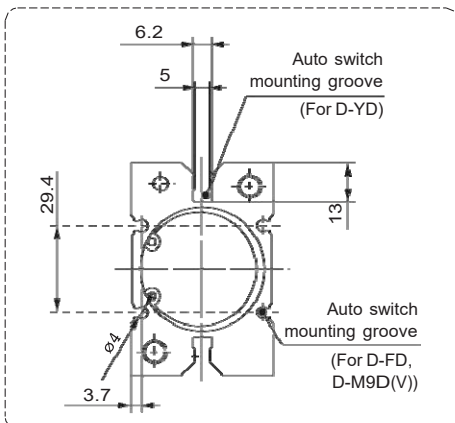


Dimensions: MHZ2-40D Double acting/Single acting. Basic type

The values inside () are dimensions for the single acting type.



Auto Switch Mounting Groove Dimensions

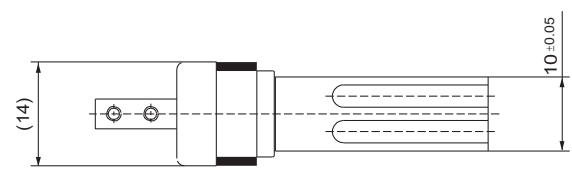
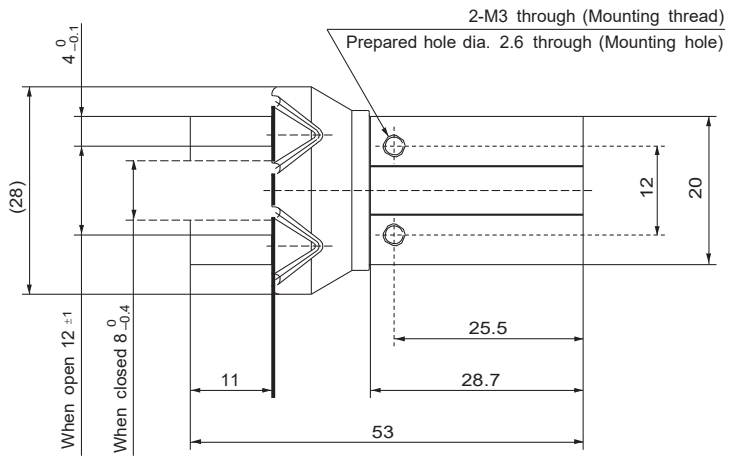
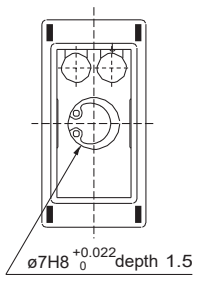
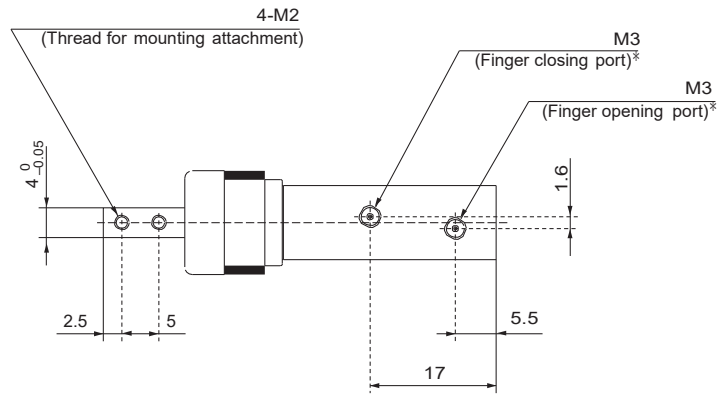


* For single action, the port on one side is a breathing hole.

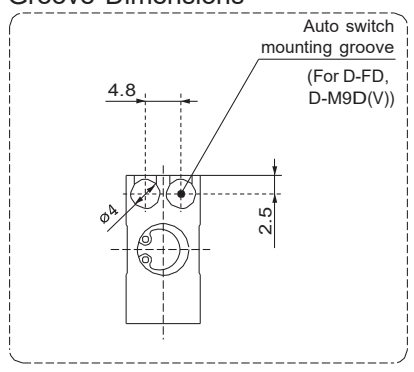
Note) When using D-Y59, D-Y69 and D-Y7 type auto switches, through-hole mounting is not possible.

Series **MHZ2/MHZJ2** Parallel Style Air Gripper
Standard Type/With Dust Cover

Dimensions: MHZJ2-6D Double acting/Single acting. Basic type
With Dust Cover



Auto Switch Mounting Groove Dimensions

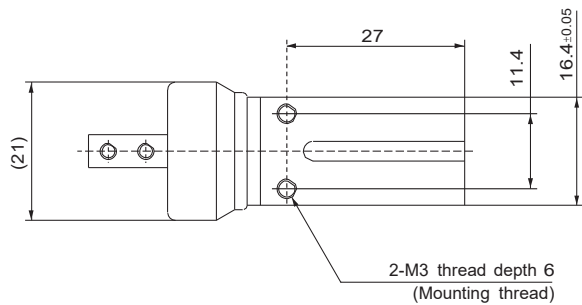
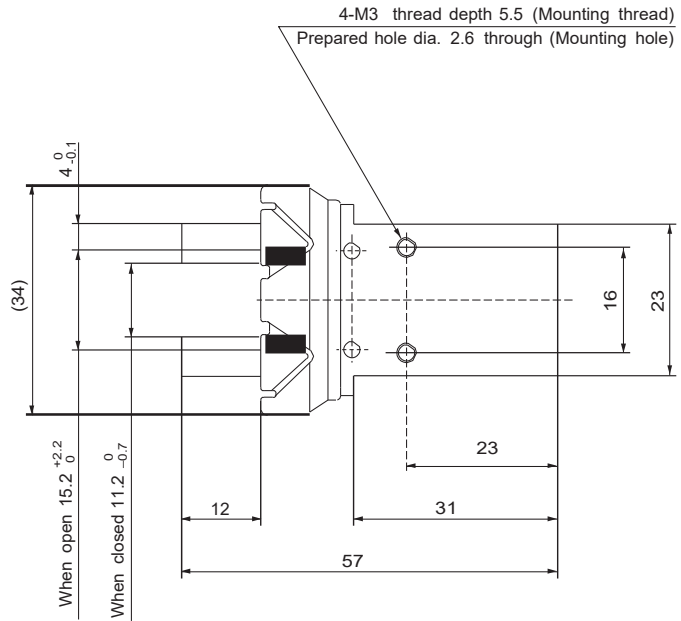
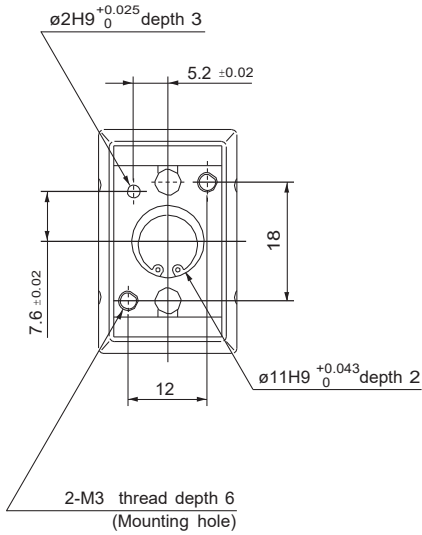
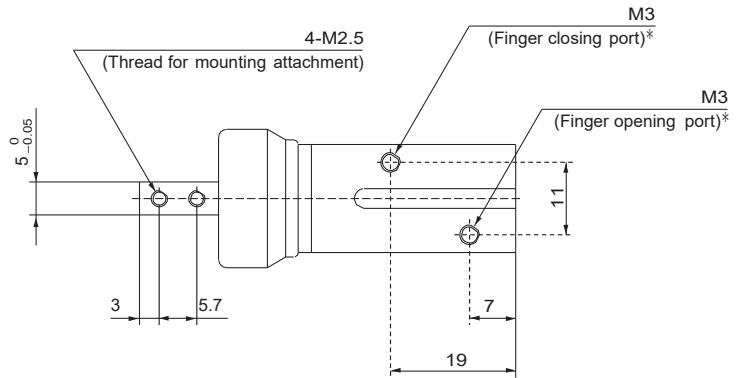


* For single action, the port on one side is a breathing hole.

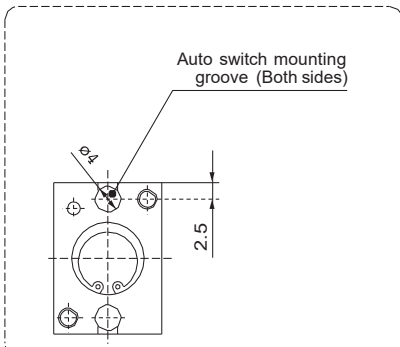


Grippers

Dimensions: MHZJ2-10 Double acting/Single acting. Basic type
With Dust Cover



Auto Switch Mounting
Groove Dimensions

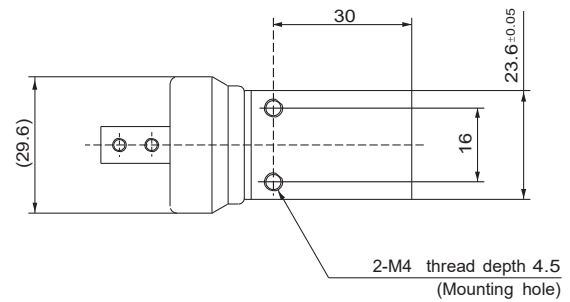
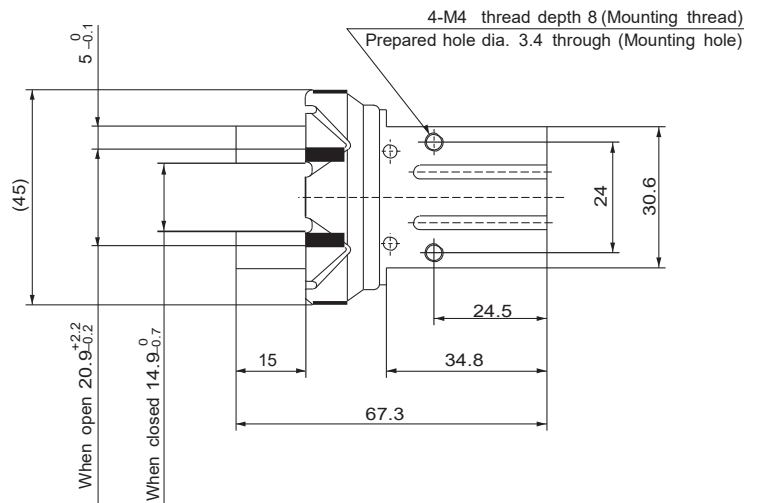
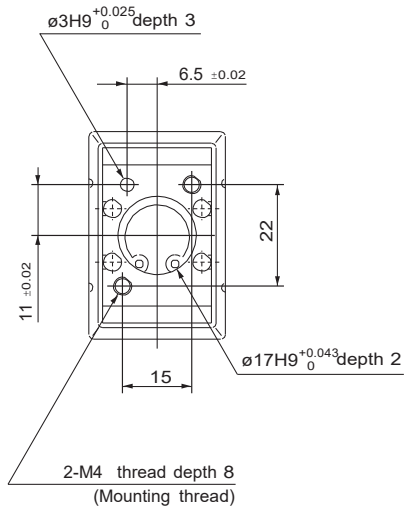
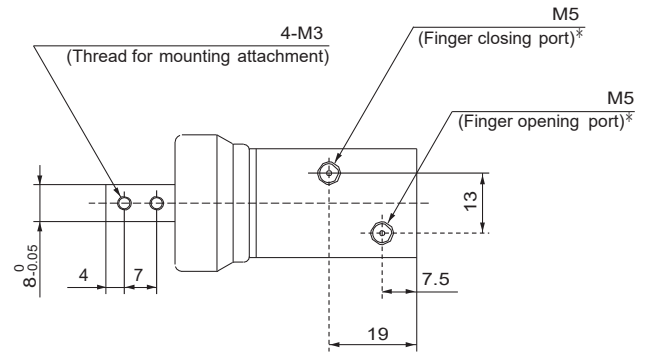


Note) When using auto switches, through-hole mounting is not possible.

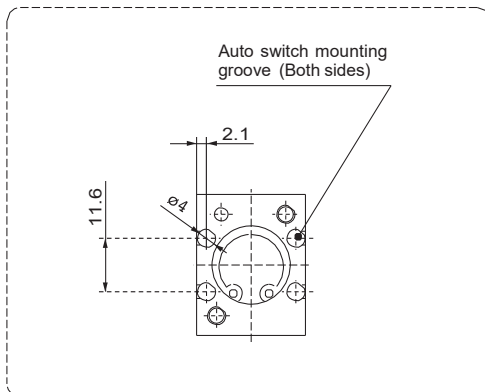
* For single action, the port on one side is a breathing hole.

Series **MHZ2/MHZJ2** Parallel Style Air Gripper
Standard Type/With Dust Cover

Dimensions: MHZJ2-16D Double acting/Single acting. Basic type
With Dust Cover

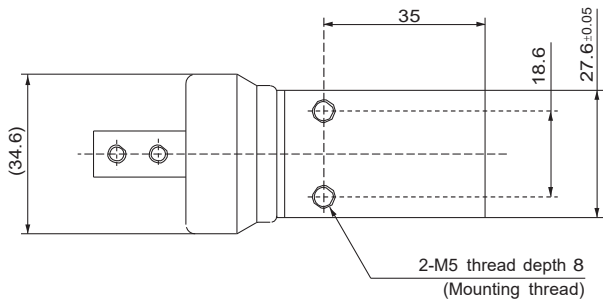
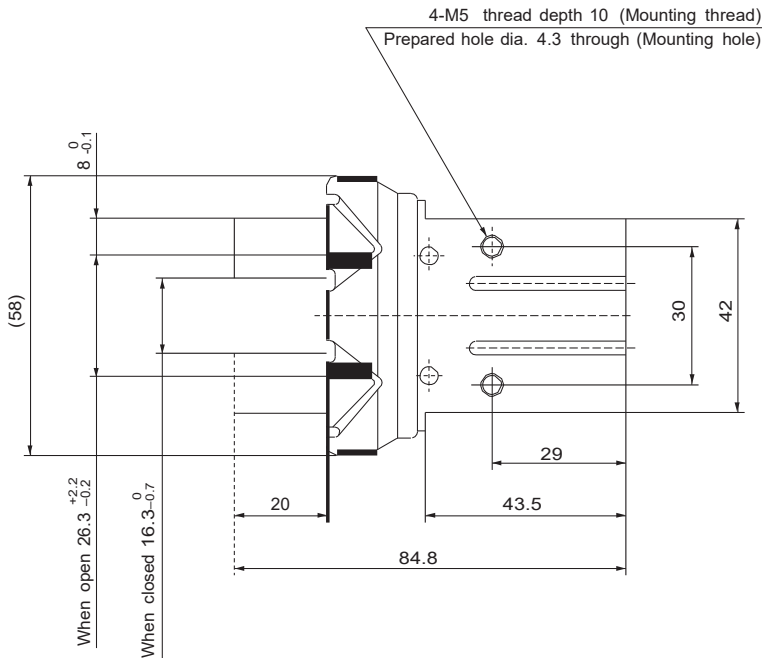
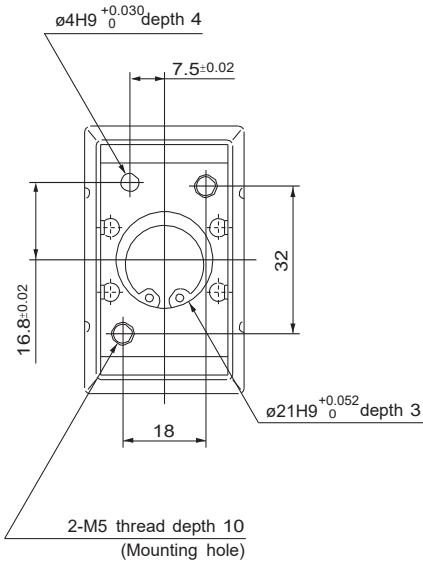
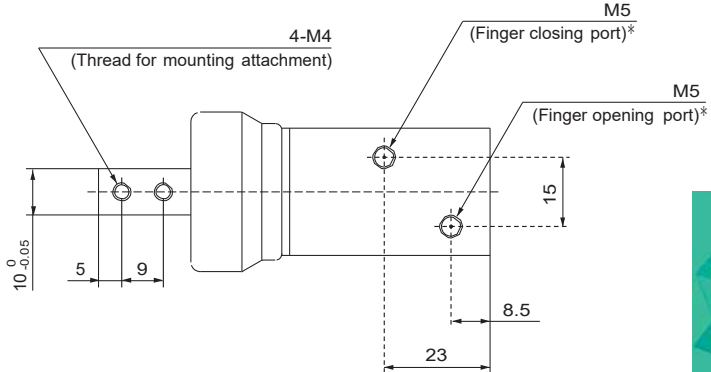


Auto Switch Mounting
Groove Dimensions

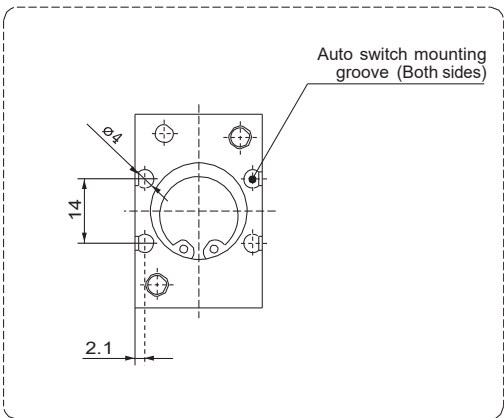


* For single action, the port on one side is a breathing hole.

Dimensions: MHZJ2-20D Double acting/Single acting. Basic type
With Dust Cover



Auto Switch Mounting
Groove Dimensions

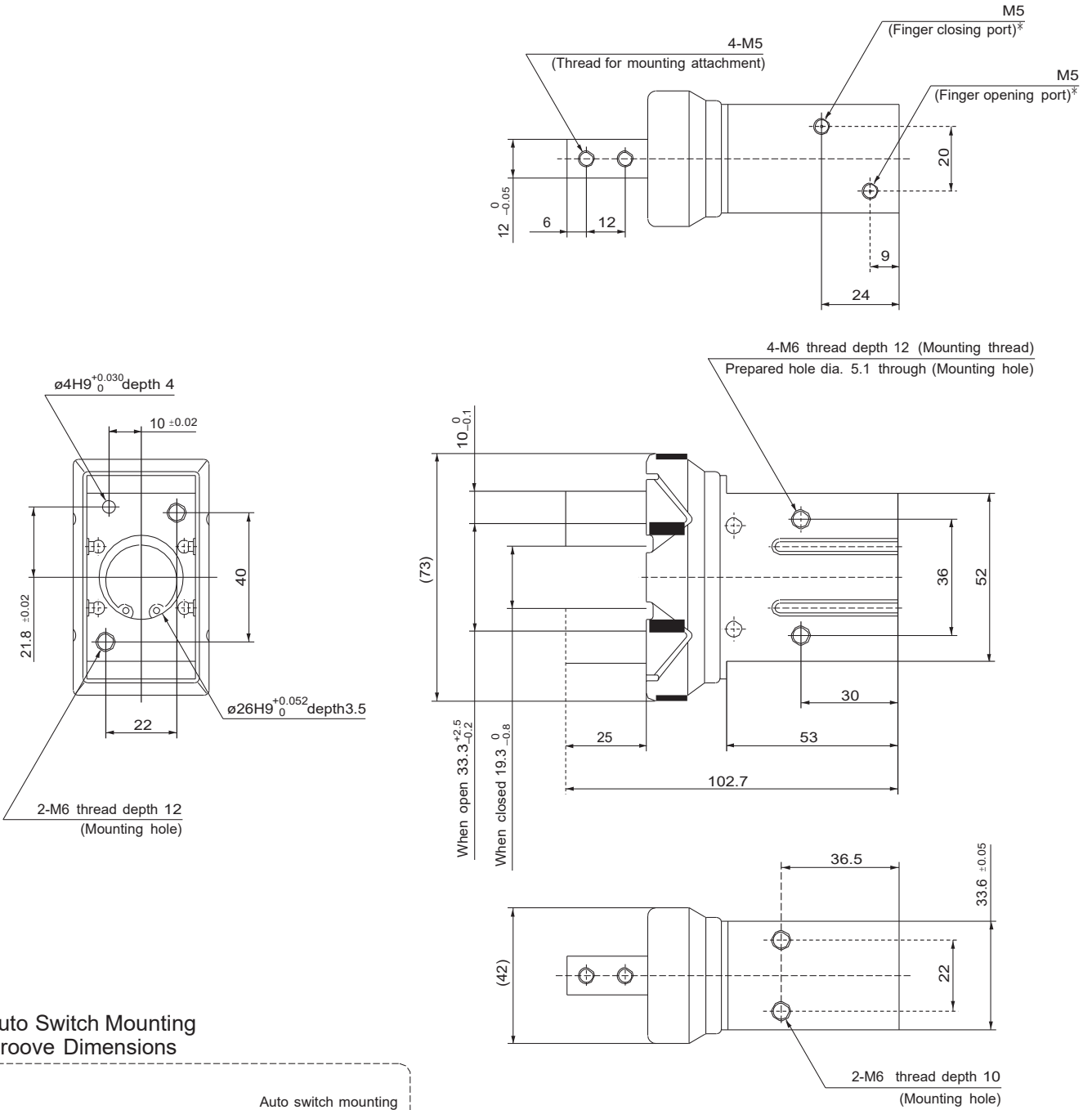


* For single action, the port on one side is a breathing hole.



Series **MHZ2/MHZJ2** Parallel Style Air Gripper
Standard Type/With Dust Cover

Dimensions: MHZJ2-25D Double acting/Single acting. Basic type
With Dust Cover



* For single action, the port on one side is a breathing hole.