

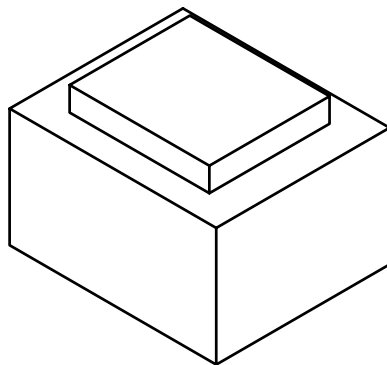
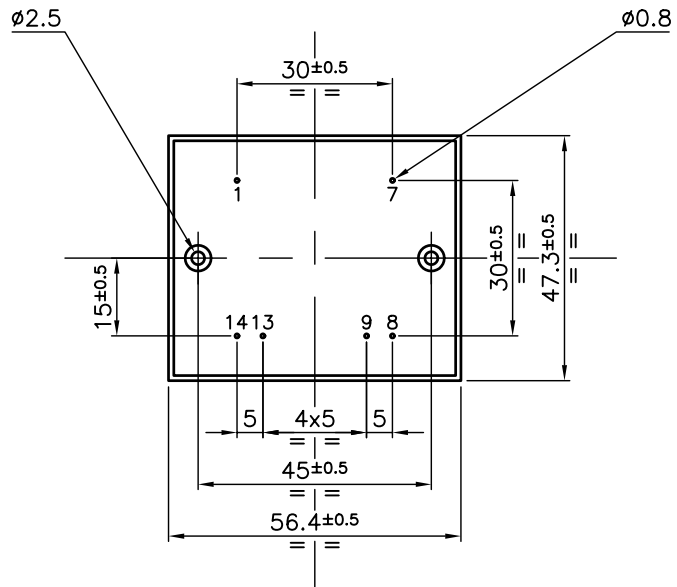


HESTORE.HU

elektronikai alkatrész áruház

EN: This Datasheet is presented by the manufacturer.

Please visit our website for pricing and availability at www.hestore.hu.



SAFETY ISOLATING TRANSFORMER

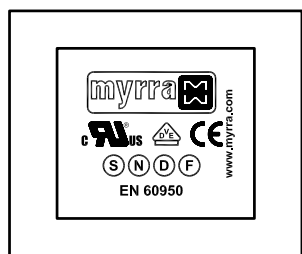
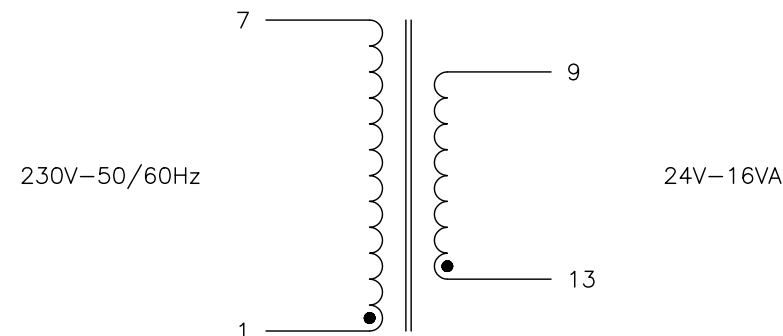
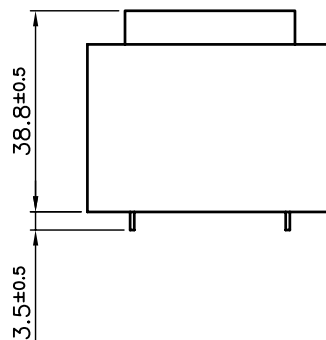
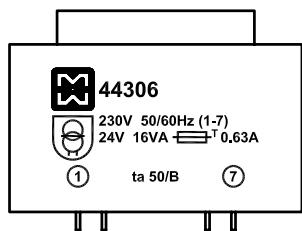
POWER : 16VA
 INPUT VOLTAGE : 230V
 FREQUENCY : 50/60Hz
 NOMINAL OUTPUT VOLTAGE : 24V

NON SHORT CIRCUIT PROOF TRANSFORMER
 IP00
 UL94V0

OPERATING TEMPERATURE : -25°C to 50°C
 STORAGE TEMPERATURE : -25°C to 85°C
 INSULATION CLASS (IEC85) : B
 REQUIRED PROTECTION : 0.63A FUSE ON SECONDARY

STANDARDS :

- UL506 (File E111078)
- CSA 22-2 (File E111078)
- VDE (File Ref:1398300)
- EN60950 (File Ref:1398300)
- EN61558-1 (File Ref:1398300)
- EN61558-2-6 (File Ref:1398300)
- CE



D					
C					
B					
A					
Rev	Date	Modification	Dessiné	Visa	

Finition:		Tolérance générale:		
Finition:		General tolerance:		
Ech: 1:1	Matière:			
	Material:			
Dessiné par: ROUSSEL.Ch	Date: 12/02/2003	Visa: J.P.M.		
DATA SHEET 44306				
EI 54x18.8				
		22 Allée du Clos des Charmes Z.A. Les Portes de la Forêt 77090 COLLEGIEN Tel : 01-60-37-55-55 Fax : 01-60-17-12-00		DS44306