



HESTORE.HU

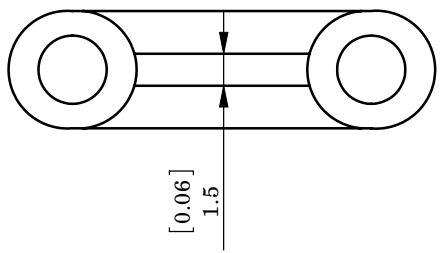
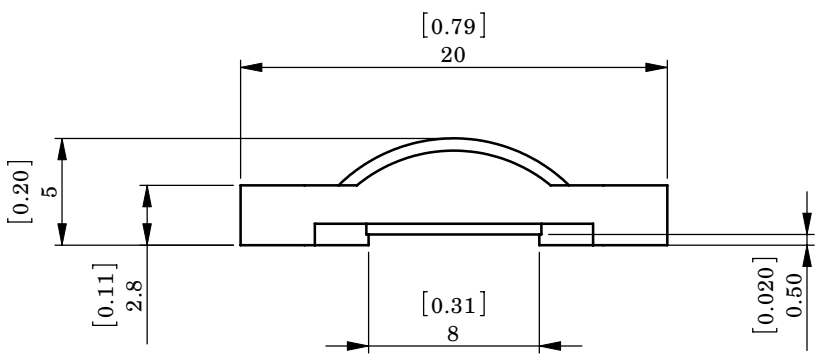
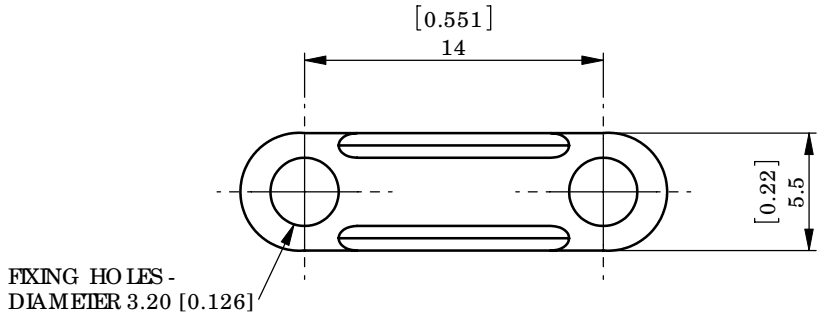
elektronikai alkatrész áruház

EN: This Datasheet is presented by the manufacturer.

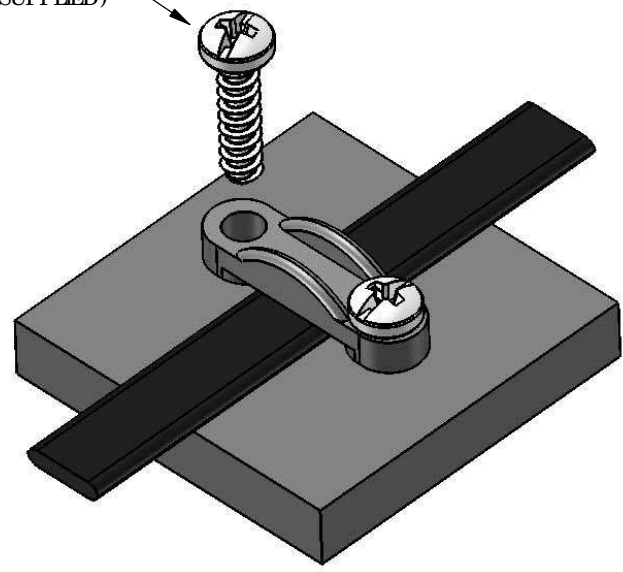
Please visit our website for pricing and availability at www.hestore.hu.

A B C D E F

| REV. | MODIFICATION. | DATE | DRN |
|------|---------------|----------|-----|
| 02 | EC N 2008-022 | 04/02/08 | TC |
| 03 | CO-2010147 | 19/03/08 | OW |
| 04 | CO-2010666 | 01/06/09 | SF |



TO ACCOMMODATE
2x M3 [#3] FLATHEAD
SCREWS (NOT SUPPLIED)



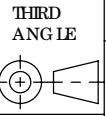
APPLICATION VIEW

ALTERNATE UNITS FOR REFERENCE ONLY

INFORMATION CONTAINED IN THIS DOCUMENT IS CONFIDENTIAL TO RICHCO INTERNATIONAL Co., Ltd. AND MAY NOT BE DISCLOSED OR REPRODUCED IN WHOLE OR PART WITHOUT THEIR WRITTEN CONSENT.

RICHCO, INC.
WWW.RICHCO-INC.COM

ALL DIMENSIONS IN mm & [INCH]
GENERAL TOLERANCES ±0.25 [.010]
UNLESS OTHERWISE STATED
1 DECIMAL PLACE ±0.25 [.010]
2 DECIMAL PLACES ±0.10 [.004]
ANGULAR ±1°



| PART NUMBER | MATERIAL |
|-------------|-------------------------------|
| SRC C-2 | NYLON 6/6 UL94 V-2 (RMS-01) |
| SRC C-2-HT | NYLON 4/6 UL-94 V-2 (RMS-109) |

| | | | |
|--|----------------------|------------------------|------------------|
| MATERIAL: NYLON 6/6 UL94 V-2 (RMS-01) | | COLOR: BLACK | |
| DESCRIPTION: STRAIN RELIEF CLAMP | | PART No : SEE TABLE | |
| DRG No : 05-104 | NPR No : 2004-448 | Mass:(g) 0.35 | SHEET SIZE A4 |
| DRN NJB | DATE 05/01/05 | CHKD NBR | DATE 05/01/05 |
| SCALE NTS | | SHEET No . 1 OF 1 | |