



HESTORE.HU

elektronikai alkatrész áruház

EN: This Datasheet is presented by the manufacturer.

Please visit our website for pricing and availability at www.hestore.hu.

INTERCHANGEABLE WALL PLUG POWER SUPPLY 5.1VDC 15.3WATT

T7730DV



In partnership with:
STONTRONICS

Features:

- Interchangeable AC Heads
- Compatible with Pi4
- 1 Year Warranty
- Level VI Efficiency
- Worldwide Approvals

Description:

The Stontronics 5.1Vdc 3Amp Interchangeable Power supply with USB Type C output connector is specifically designed to be compatible with the new Pi4 Single Board computer. The unit is finished in White and comes complete with UK & Euro AC Heads with all the relevant country approvals.

Specification	
Part Code	T7730DV
Input Voltage Range	90-264 Vac
Input Frequency Range	47-63Hz
Input Current Rated	0.6A Max
Input AC Heads	UK & Euro
Output Voltage Rating	+5.1V
Output Current Range	3A
Output Min Current	0A
Output Connector	USB Type C
Total Output Regulation	+/- 5%
Line and Load Regulation	+/- 2%
Ripple & Noise	240mVp-p
Efficiency	81.97% Min
Over Voltage Protection	10Vdc Maximum
Over Current Protection	5A maximum with auto-recovery function
Short Circuit Protection	The adapter shall not be damaged by short the DC output to Ground
Operating Temperature	0°C to 40°C
Storage Temperature	-20°C to +60°C
Operating Humidity	20% to 85%
Storage Humidity	5% to 95%
Hi-Pot	3000VAC 10mA 1min
Leakage Current	0.25mA max
Safety Standard	UL/CUL(UL62368); TUV-GS(EN62368); SAA(AS/NZS62368); PSE(J62368-1); CCC; T-License(BS EN 62368-1)
EMI Standard	FCC(PART 15 CLASS B); CE(EN55032); PSE(J55032)
MTBF	50K Hours
Size mm max.	74.5(L) x 36(W) x 54(H)
Weight	115g± 15%

General Note
TT Electronics reserves the right to make changes in product specification without notice or liability. All information is subject to TT Electronics' own data and is considered accurate at time of going to print.

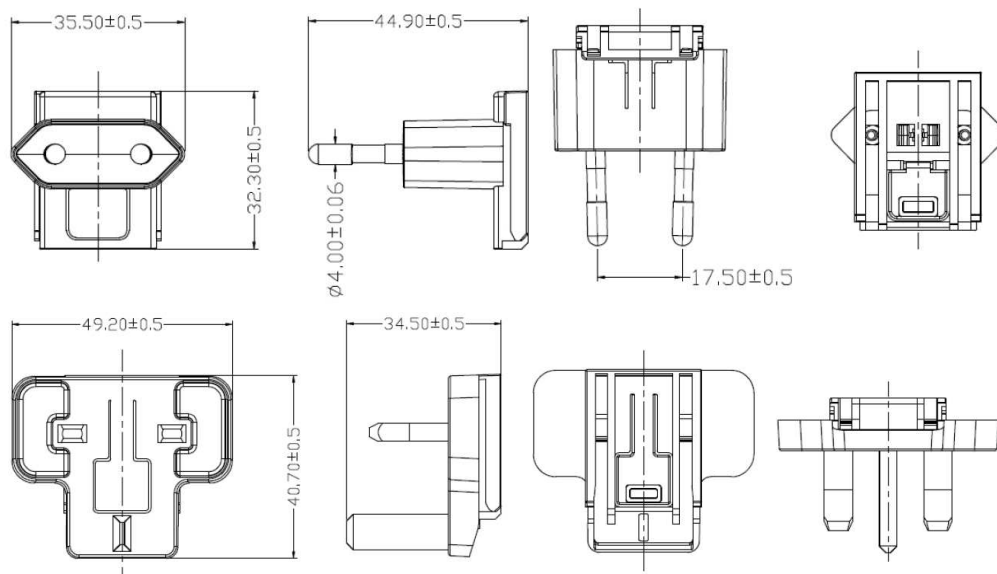
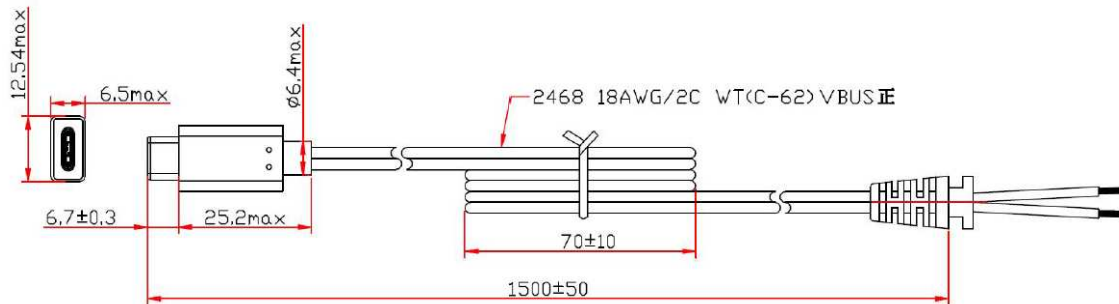
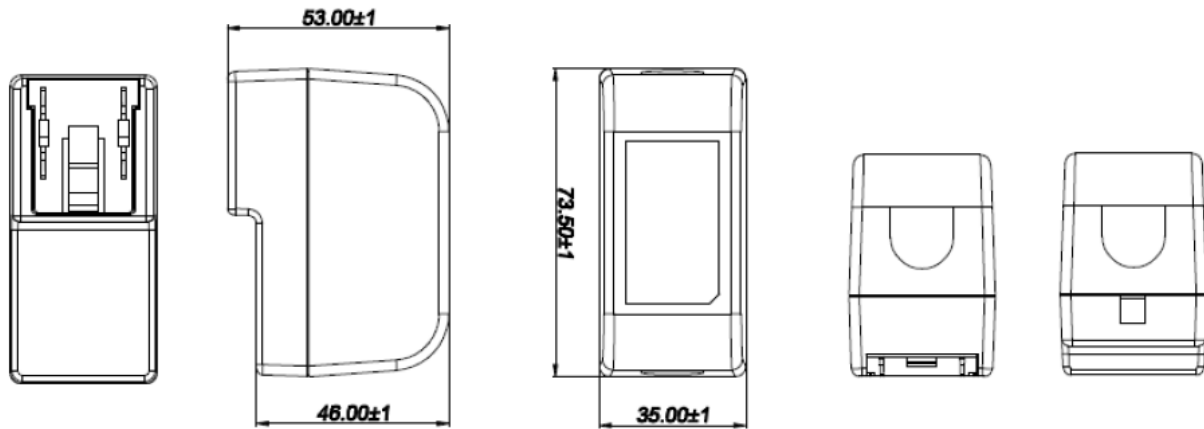
TT Electronics | Stontronics Ltd
Chancerygate Business Centre, Cradock Road, Reading RG2 0AH, UK
t: +44 (0) 118 931 1199

INTERCHANGEABLE WALL PLUG POWER SUPPLY 5.1VDC 15.3WATT



T7730DV

Diagrams



In partnership with:

STONTRONICS

General Note

TT Electronics reserves the right to make changes in product specification without notice or liability. All information is subject to TT Electronics' own data and is considered accurate at time of going to print.

© TT Electronics plc

TT Electronics | Stontronics Ltd
 Chancerygate Business Centre, Cradock Road, Reading RG2 0AH, UK
 t: +44 (0) 118 931 1199

SL-004-110 ISS.0 24/06/2019 Page: 2