



**HESTORE.HU**

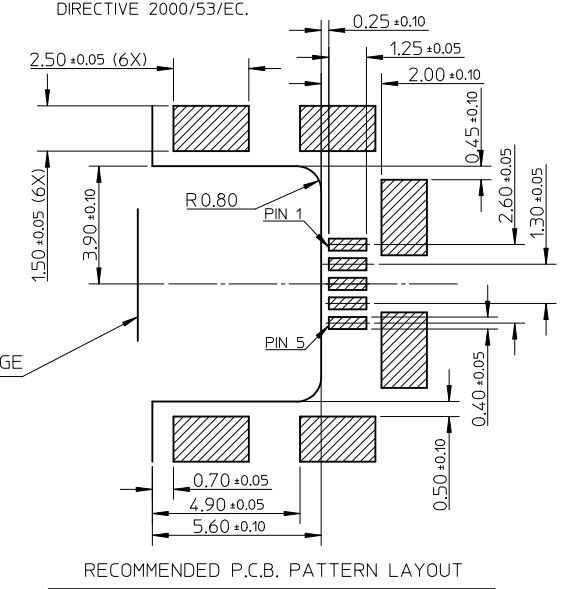
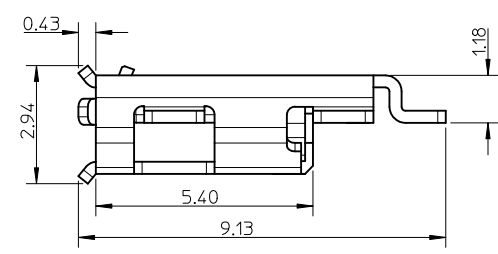
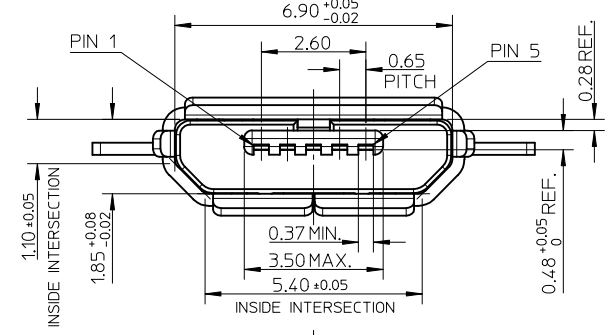
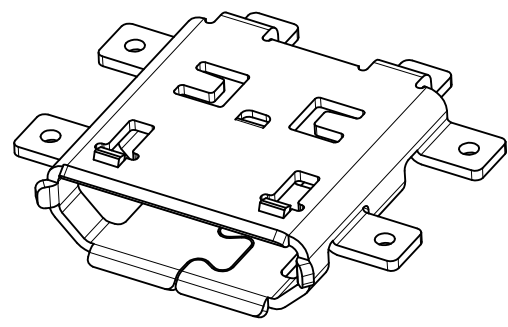
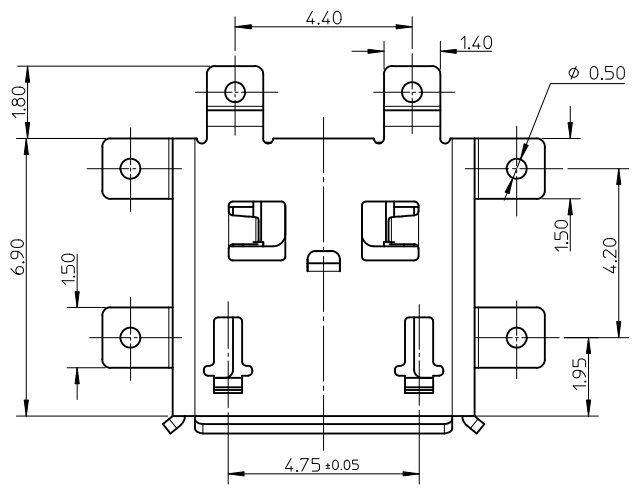
elektronikai alkatrész áruház

**EN:** This Datasheet is presented by the manufacturer.

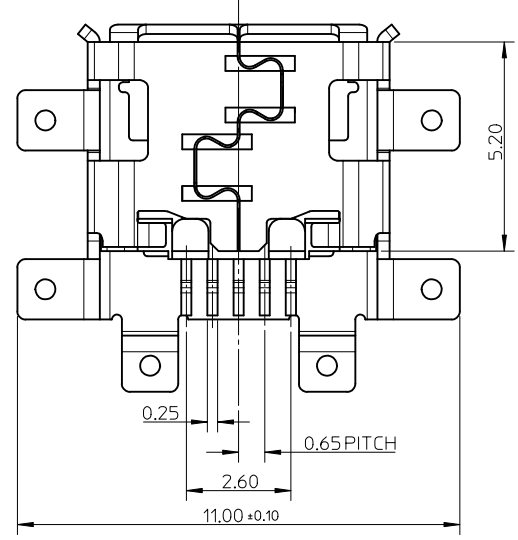
Please visit our website for pricing and availability at [www.hestore.hu](http://www.hestore.hu).

NOTE :

- MATERIAL :  
 HOUSING : LCP, BLACK, UL94V-0  
 TERMINAL : COPPER ALLOY THICKNESS = 0.15 MM  
 SHIELD CASE : STAINLESS STEEL THICKNESS = 0.30 MM
- PLATING :  
 TERMINAL:  
 CONTACT AREA : GOLD FLASH OVER MINIMUM 0.75 MICRON Pd/Ni.  
 SOLDER TAIL AREA : GOLD FLASH.  
 UNDER PLATING : NICKEL 2.0 MICRON MINIMUM.  
 SHIELD :  
 OPTION 1 : MATTE TIN 3.8 MICRON MINIMUM.  
 UNDER PLATING : NICKEL 1.27 MICRON MINIMUM.  
 OPTION 2 : NICKEL 1.25 MICRON MINIMUM
- TAIL & NAIL COPLANARITY 0.08 mm MAXIMUM.
- PACKAGING SPECIFICATION : PK-47491-001
- PRODUCT SPECIFICATION : PS-47642-001
- COMPLIANT TO RoHS DIRECTIVE 2002/95/EC AND ELV DIRECTIVE 2000/53/EC.



SHELL PLATING OPTION 1	47491-0001
SHELL PLATING OPTION 2	47491-0002



REVISE EC NO: SH2011-0342 DRWN: XJSONG CHKD: APPR: RZHANG	2011/09/02 2011/09/05 DESCRIPTION	QUALITY SYMBOLS	GENERAL TOLERANCES (UNLESS SPECIFIED)	DIMENSION STYLE	SCALE	DESIGN UNITS	THIRD ANGLE PROJECTION
		▼ = 0 ∇ = 0	mm    INCH 4 PLACES ± --- ± --- 3 PLACES ± --- ± --- 2 PLACES ± 0.25 ± --- 1 PLACE ± 0.25 ± --- ANGULAR ± 3 °	MM ONLY	8:1	METRIC	
				DRAWN BY	DATE	TITLE	
				CHECKED BY	DATE		
				APPROVED BY	DATE	MICRO USB B REC. MIDDLE MOUNT ASS'Y	
				JNCHEN	2006/04/28		
				MATERIAL NO.	DOCUMENT NO.	MOLEX INCORPORATED SD-47491-001	
				SEE CHART			
				SIZE	THIS DRAWING CONTAINS INFORMATION THAT IS PROPRIETARY TO MOLEX INCORPORATED AND SHOULD NOT BE USED WITHOUT WRITTEN PERMISSION		
				A3			
						SHEET NO.	
						1 OF 1	