



HESTORE.HU

elektronikai alkatrész áruház

EN: This Datasheet is presented by the manufacturer.

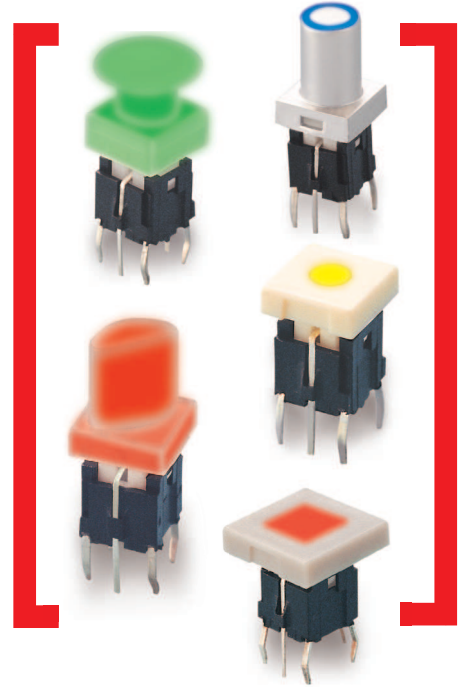
Please visit our website for pricing and availability at www.hestore.hu.

» Features

- Contact Reliability Clip type contacts are applied to ensure high reliability.
- For PC Board Terminals are all IC pitched (multiple of 2.54mm). By a particular terminal shape, the switch tightly when solder-dipped.
- Protection from Flux Entry Terminals are all completely sealed by epoxy.
- Many LED lights are available.

» Applications

- Operating switches in all types of electronic equipment such as audio apparatus, office equipment, communications apparatus, TV sets, VCRs, etc.

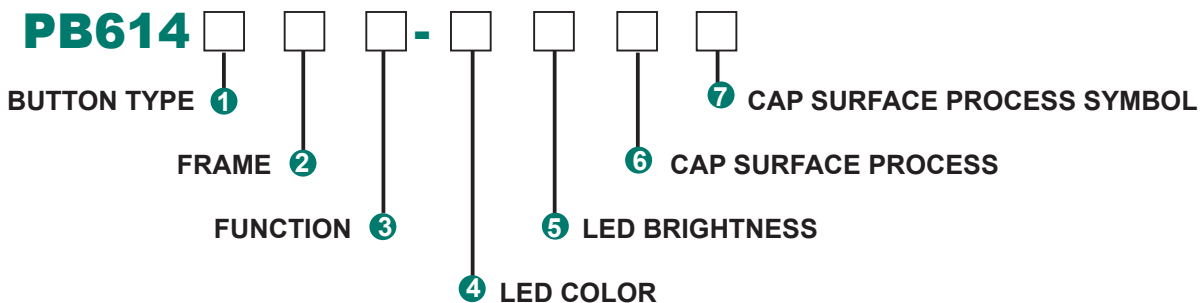


» Specifications

Rating	50mA 12VDC
Insulation Resistance	100MΩ Min (at 500 VDC)
Dielectric Strength	AC 250V (50/60 Hz for 1 minute)
Contact Resistance	100mΩ Max. (Initial)
Electrically Life	300,000 Cycles Min
Ambient Temperature	-20°C~ +70°C
Operating Force	160 ± 50gf
Travel	0.25 ± 0.1 mm



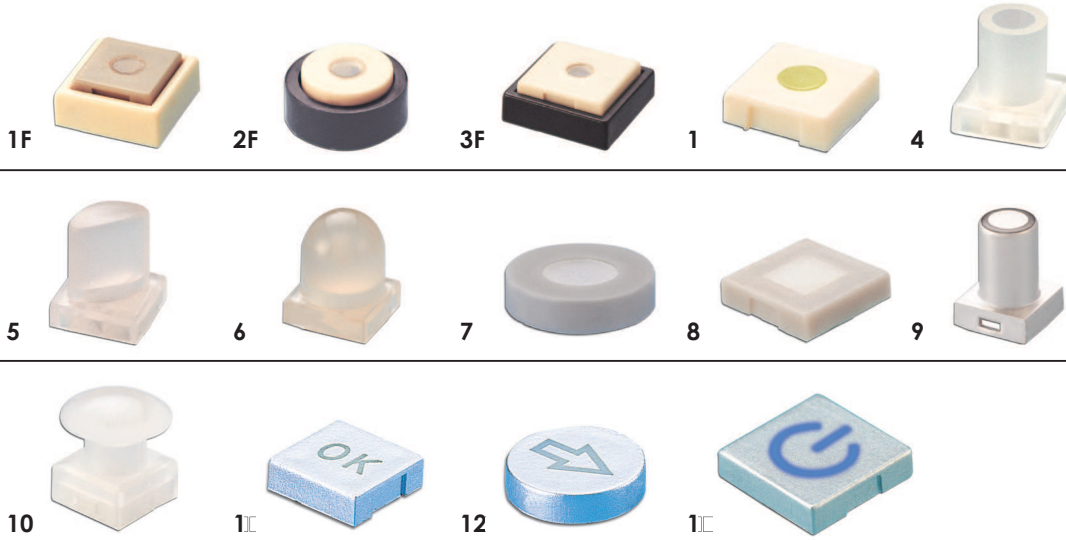
» Product selection



ILLUMINATED

TACT SWITCHES

1 BUTTON TYPE



2 FRAME

_	Without
F	With frame

4 LED COLOR

1	Red
2	Yellow
3	Green
4	Blue
5	White
6	Pure Green
12	Red / Yellow
13	Red / Green
23	Yellow/ Green

3 FUNCTION

Non-illuminated		Illuminated	
_	Standard type	L	Standard type
M	SMT type	ML	SMT type

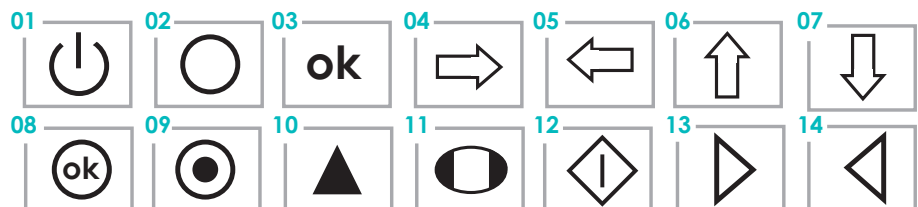
5 LED BRIGHTNESS

_	Standard
C	Customization

6 CAP SURFACE PROCESS PLATED TYPE

1	Misty Silver
2	Bright Silver
3	Gold

7 CAP SURFACE PROCESS SYMBOL



» LED Specifications

Color	VR	IF	Recommended Operating Current	VF	
				Nom	Max
Red	DC 5V	20mA	20mA	1.7V	2.4V
Green	DC 5V	20mA	20mA	1.9V	2.4V
Yellow	DC 5V	20mA	20mA	1.9V	2.4V
Blue	DC 5V	20mA	20mA	3.0V	3.6V
White	DC 5V	20mA	20mA	3.0V	3.6V

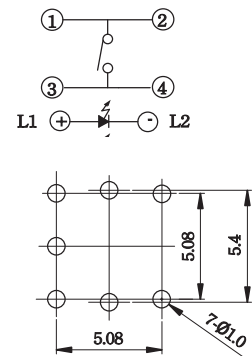
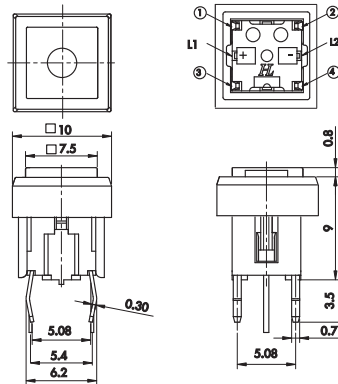
» Operating characteristics

Unit: mm

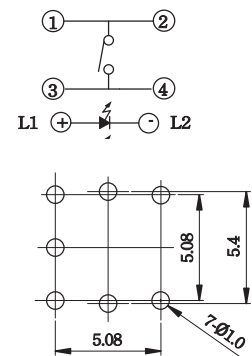
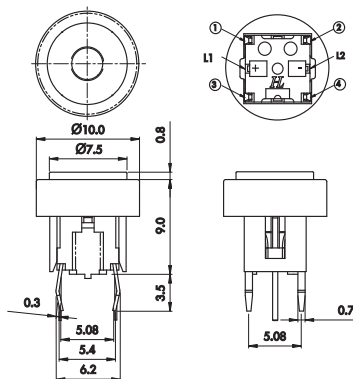
Dimensions

Circuit P.C.B Layout

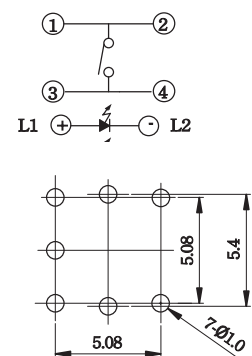
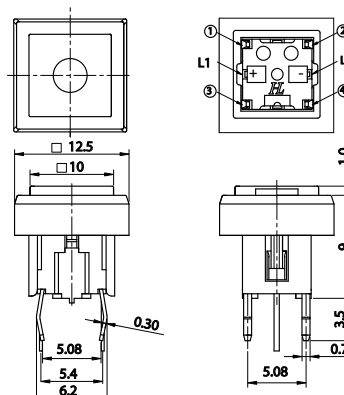
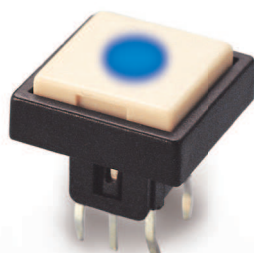
PB6141FL



PB6142FL



PB6143FL



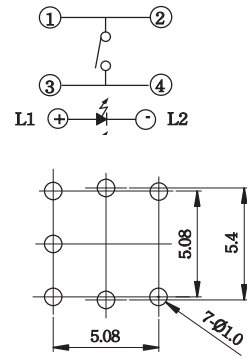
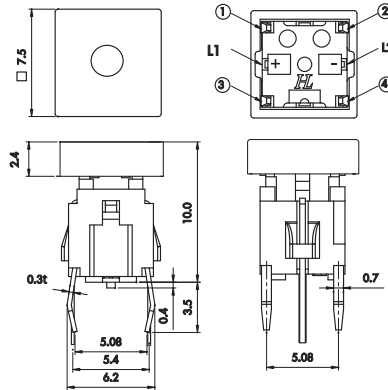
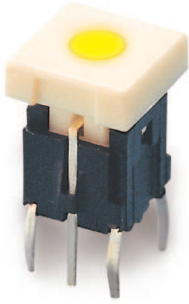
» Operating characteristics

Unit: mm

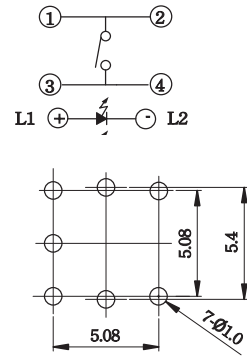
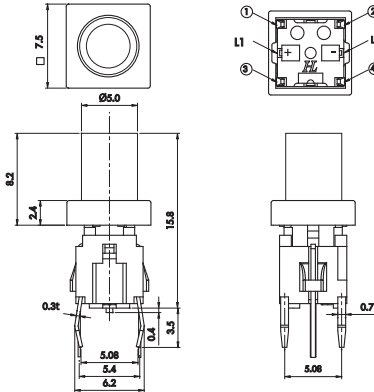
Dimensions

Circuit P.C.B Layout

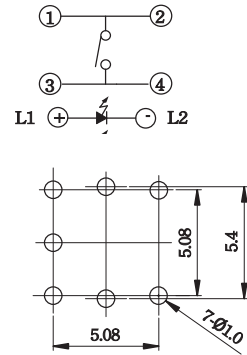
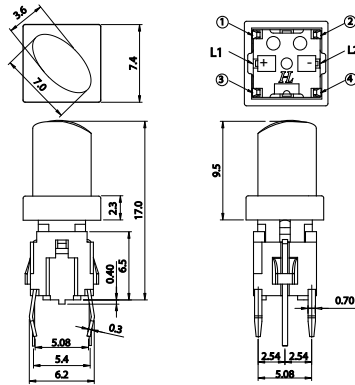
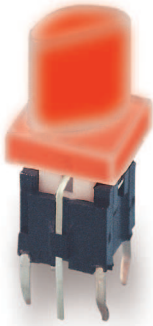
PB6141L



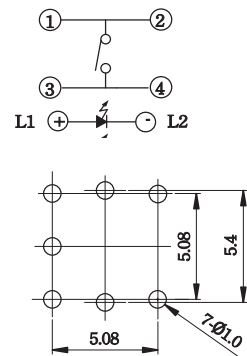
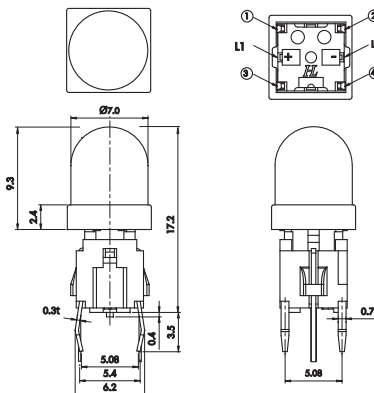
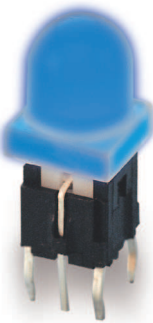
PB6144L



PB6145L



PB6146L



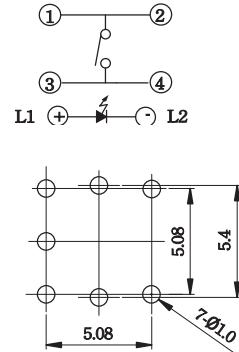
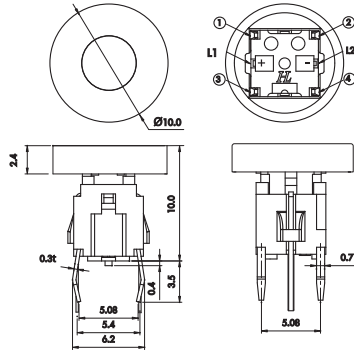
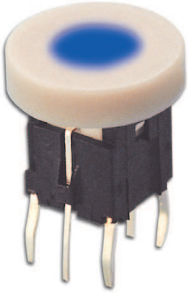
» Operating characteristics

Unit: mm

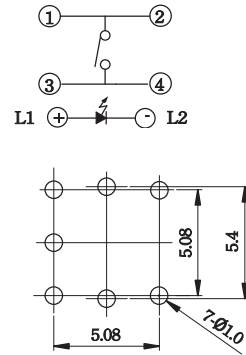
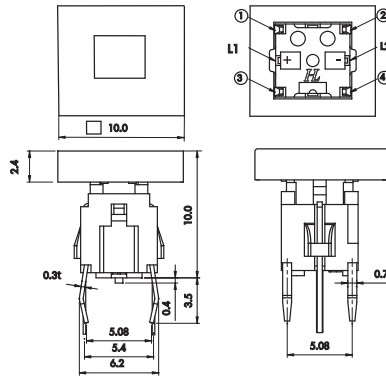
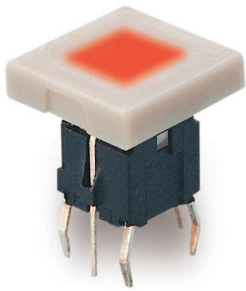
Dimensions

Circuit P.C.B Layout

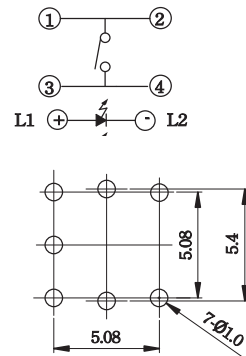
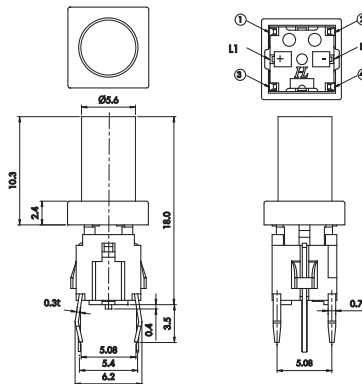
PB6147L



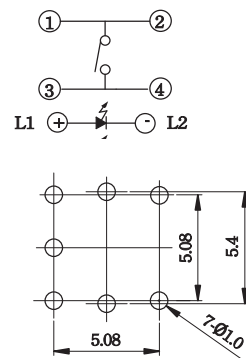
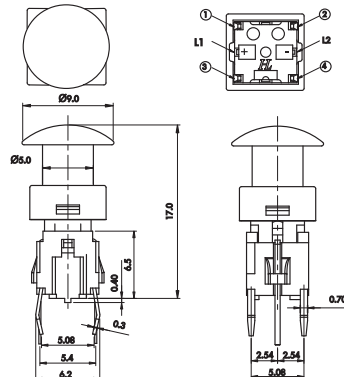
PB6148L



PB6149L-□-102



PB61410L



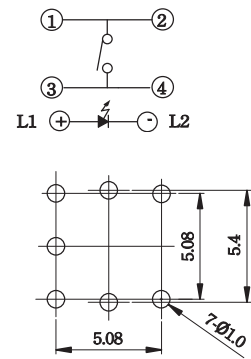
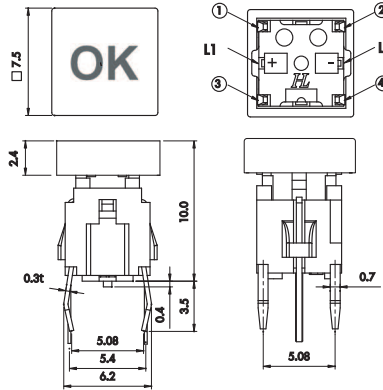
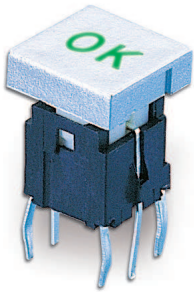
» Operating characteristics

Unit: mm

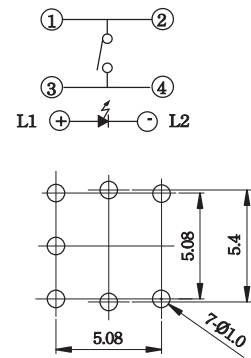
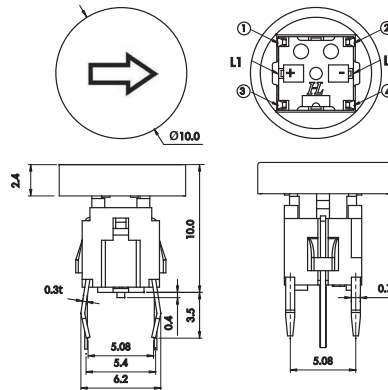
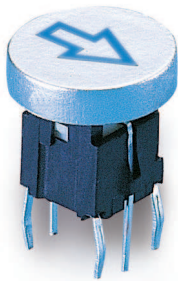
Dimensions

Circuit P.C.B Layout

PB61411L-□-103



PB61412L-□-104



PB61413L-□-101

