



**HESTORE.HU**

elektronikai alkatrész áruház

**EN:** This Datasheet is presented by the manufacturer.

Please visit our website for pricing and availability at [www.hestore.hu](http://www.hestore.hu).



## Mounting Bracket for Keystone Modules

Art no.: MP0054

### Technical Features

For keystone modules max. 19.2 x 14.9mm

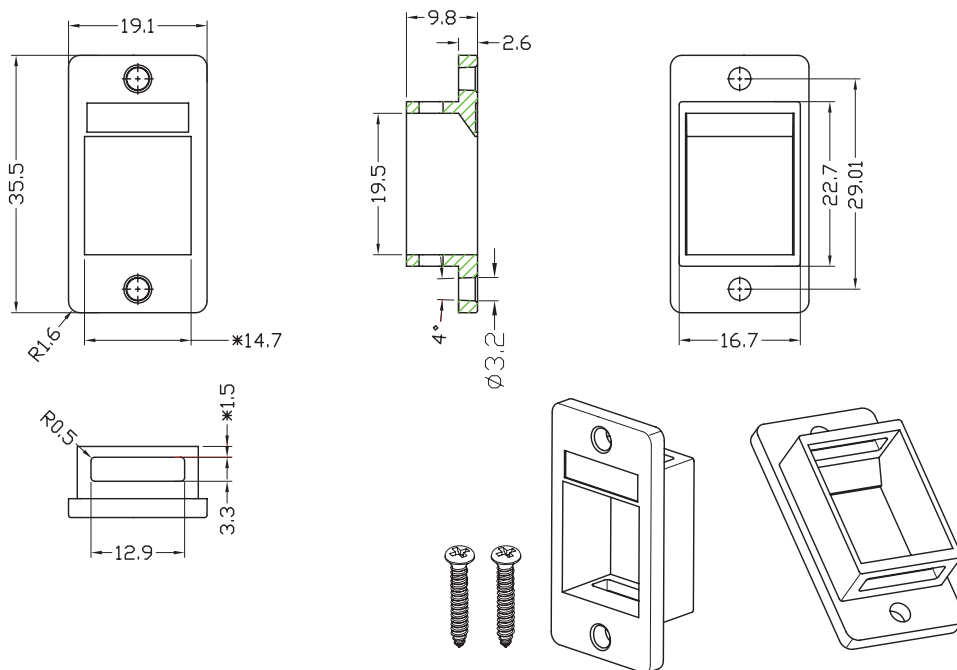
For easy snap-in assembly of a keystone module

Two holes for screw fixing, 29.01mm apart

With integrated label field

Includes 2 screws

### Technical Drawings



MP0054



4 052792 055481

Made in China

[www.logilink.de](http://www.logilink.de)



RoHS  
compliant



\* The specifications and pictures are subject to change without notice.  
\*All trade names referenced are the registered trademark of their respective owners.

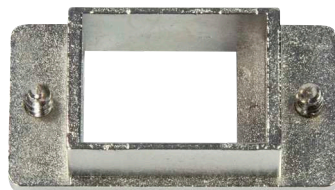
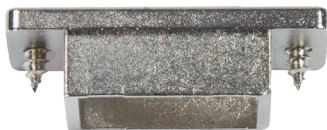
## Package Contents

Mounting Bracket for Keystone Modules x1

M3\*8mm Screws x2

## Packaging Information

Packing Dimension	mm
Packing Weight	kg
Carton Dimension	mm
Carton Q'ty	pcs
Carton Weight	kg



MP0054



4 052792 055481

Made in China

[www.logilink.de](http://www.logilink.de)



RoHS  
compliant



\* The specifications and pictures are subject to change without notice.  
\*All trade names referenced are the registered trademark of their respective owners.