

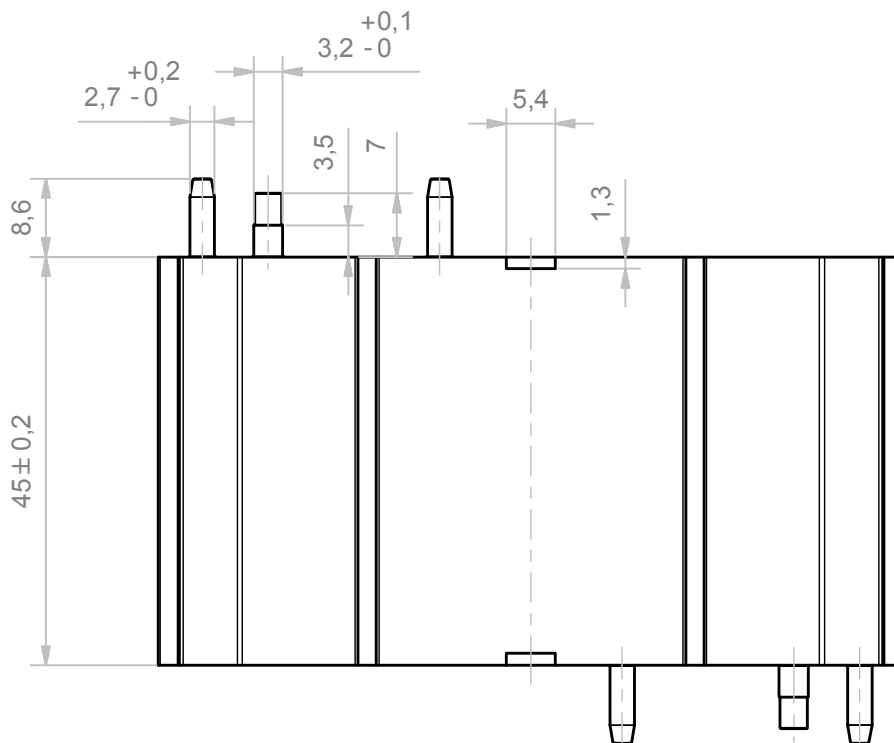
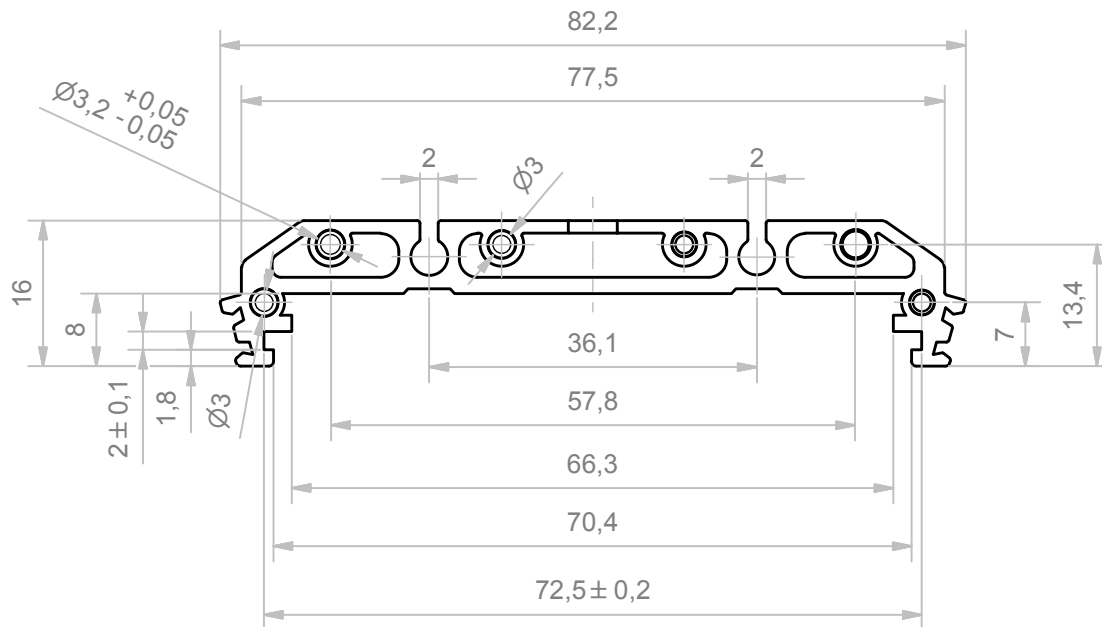


**HESTORE.HU**

elektronikai alkatrész áruház

**EN:** This Datasheet is presented by the manufacturer.

Please visit our website for pricing and availability at [www.hestore.hu](http://www.hestore.hu).



Da 0,5 a 3	Oltre 3 fino a 6	Oltre 6 fino a 30	Oltre 30 fino a 120	Oltre 120 fino a 400
± 0,1	± 0,1	± 0,2	± 0,3	± 0,5

<b>RESERVED PROPERTY</b> The present drawing cannot be reproduced or communicated to 3d parties, even partially, without the authorization of ITALTRONIC Srl. Italtronic reserves to protect its own rights according to the law.			Dimension in mm 1 / 1	SHEET NR. 1 / 1	DRAWING BY  Manual modification are not allowed	GENERAL TOLERANCE <b>UNI EN 22768/1</b> <b>Media (m)</b>	5	4	3	2	1
	Date: 04/10/2010	Replace nr.		Scale:		Revision description					
Drawed: Mazzucato F.	Checked: Mazzucato F.										

Denomination: **SUPPORTO M72 BASE 45 mm**

**ITALTRONIC S.R.L.**  
 VIA AUSTRIA 25/D 35127  
 PADOVA - ITALY  
[www.italtronic.com](http://www.italtronic.com)

Drawing nr. **S-01771-03**

Rivisto le tolleranze perno e foro Ø3,2mm. 23/11/2011 D.D.M.  
 Aggiornate quote e tolleranze - 28/10/2011 M.F.  
 Aggiunta tolleranza su quota larghezza guida scheda. - 27/10/2011 M.F.