

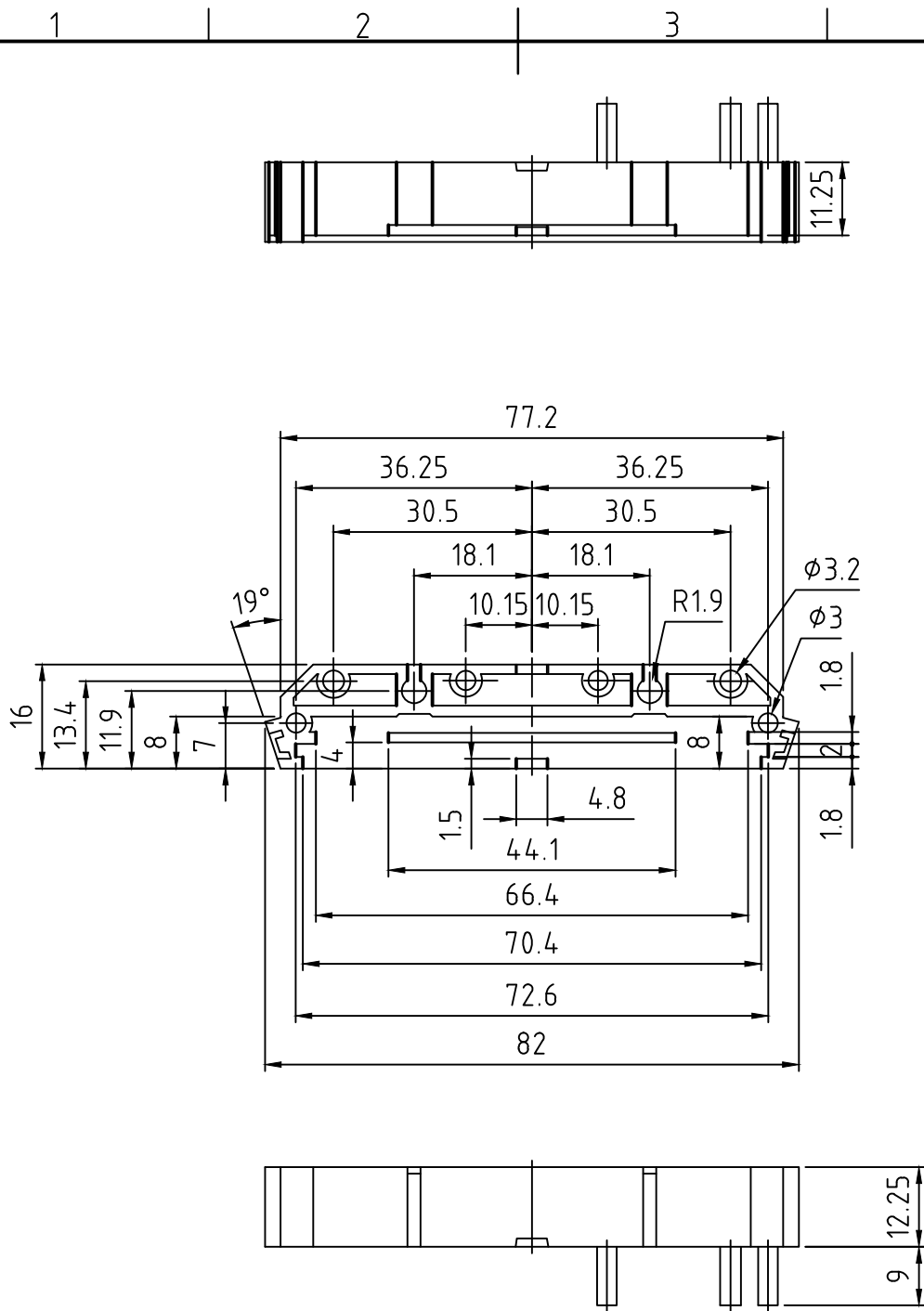


**HESTORE.HU**

elektronikai alkatrész áruház

**EN:** This Datasheet is presented by the manufacturer.

Please visit our website for pricing and availability at [www.hestore.hu](http://www.hestore.hu).

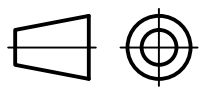


Aggiornato interasse fori e spine da 11,5mm a 10,15mm D.D.M. 14-01-2013  
 Modificata descrizione articolo. 15/07/2008 M.F.  
 01 Modificato larghezza chiusura laterale da 12,5 mm a 12,25 mm. 06/12/2005 Zorzato E.

5	4	3	2	1
---	---	---	---	---

Revision description

**RESERVED PROPERTY**  
 The present drawing cannot be reproduced or communicated to 3d parties, even partially, without the authorization of ITALTRONIC Srl. Italtronic reserves to protect its own rights according to the law.



Dimension in mm

DRAWING BY  
 Manual modification are not allowed

GENERAL TOLERANCE  
**± 0.2 mm**

Date: **21/11/2003**

Drawn: **Zorzato E.** Checked: **Mazzucato F.**

Replace nr. Scale: **1 : 1**



Denomination:  
**Supporto M72 Chius. lat. M72 ECL 11.25**  
**SUPPORT**

**ITALTRONIC S.R.L.**  
 VIA AUSTRIA 25/D 35127  
 PADOVA - ITALY  
 www.italtronic.com

Drawing nr.  
**S-01002-03**