

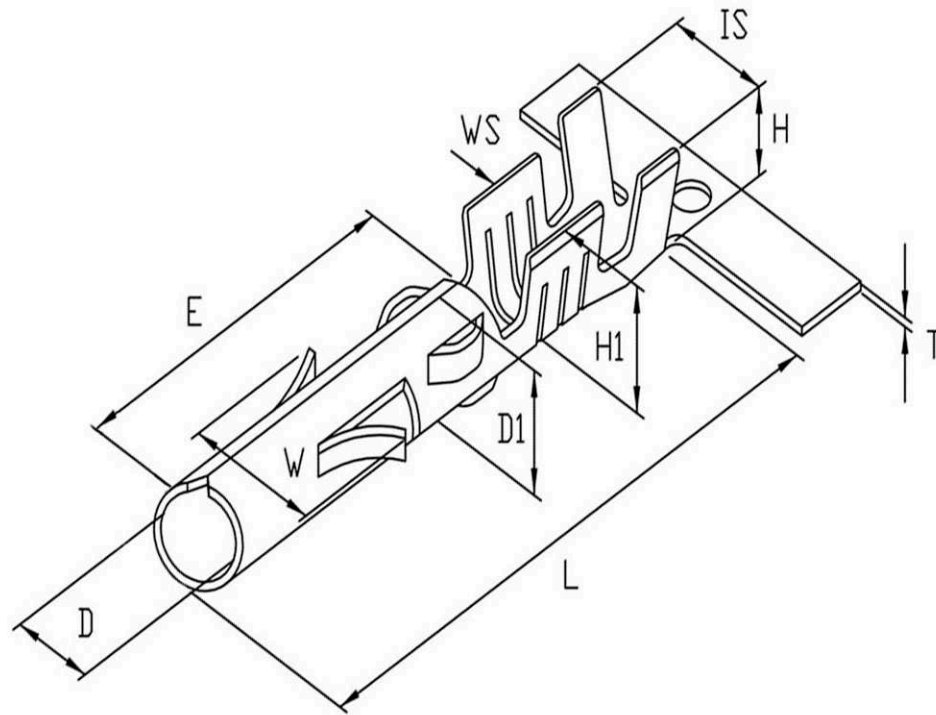


HESTORE.HU

elektronikai alkatrész áruház

EN: This Datasheet is presented by the manufacturer.

Please visit our website for pricing and availability at www.hestore.hu.



DIMENSION:(MM)

T:0.25±0.03

L:17.8±0.35

E:10.8±0.25

D1:3.0±0.2

D:2.02±0.03

IS:4.0±0.35

WS:2.5±0.35

H:3.2±0.25

H1:2.6±0.25

W:4.2±0.3

MATERIAL:BRASS

THICKNESS:0.25

HARDNESS:SH

PLATING:TIN 40u" MIN

WIRE RANGE:(AWG)18-24#

INSULATION O.D.:3.7MAX.

VOLTAGE RATING:AC,DC,250V

CURRENT RATING:AC,DC,10A

TEMPERATURE RANGE : -25°C TO +85°C

RoHS
Compliant

Gold Star Connections Co., Ltd.

APPD. 核准		TOLERANCE 容許公差	PART NAME 品名
DWG. 製圖		SCALE 比例	
DATE 制表日	UNIT 單位	SIZE. 紙張尺寸	PART NO. 料號
2019/8/19	MM	A4	
	PAGE 張數	REV. 版本	
	1 OF 1	B	5,08 FEMALE TERMINAL
			NCT508-TF24