



**HESTORE.HU**

elektronikai alkatrész áruház

**EN:** This Datasheet is presented by the manufacturer.


Please visit our website for pricing and availability at [www.hestore.hu](http://www.hestore.hu).

# ROCKER SWITCHES

PRODUCT NUMBER 1835.3112



## TECHNICAL DATA

<b>Product number</b>	<b>1835.3112</b>
Actuator color / printing	
Product family	Rocker switches
Actuation type	direct
Weight	12.000 g
Switch on continuous current (capacitive)	5 A
Inrush current (capacitive)	120 A
ROHS conform	yes
Switching function	ON / OFF switch (DPST)
Material fixed contact	Ag
Number of poles	2 - pole
connections	Quick-connect terminal, 6.3 x 0.8
Mechanical life endurance	10E4
Rating IEC	20 (4) A 250 V AC 1E4 10 (8) A 250 V AC 5E4
Rating North America	16 A 250 V AC 1 HP
Contact resistance (new condition)	< 100 (1 A 12 V DC) mOhm
Insulation resistance (new condition)	> 100 (500 V DC) MOhm

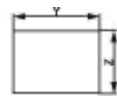
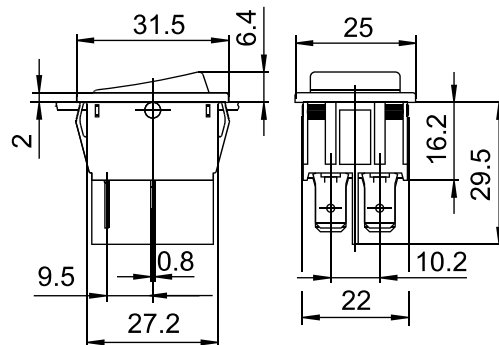
Voltage strength at 250 V	→ function insulation / basic insulation	1 500 V
	→ reinforced insulation	3 000 V
	→ small contact distance	500 V
Proof tracking	250 PTI	
Insulation spacing	acc. to EN 61058 for reinforced or double insulation	
Protection type	→ Connection	IP 40
	→ Actuator	IP 40
Ambient temperature	-20 °C ... +85 °C	
Ambient temperature	-20 °C ... +55 °C	
Storage temperature	-40 °C ... +80 °C	
Flammability	UL 94 V-2	
Glow wire test temperature	850 °C	
Actuators and additional actuators	rocker: PC, transparent red, identification black	
Housing description	housing: PA, black	
Connection surface	→ bearing connection	silver plated
	→ external connection	silver plated
Contact material	Ag	
Contact distance	≥ 3 mm	
Lighting	function illumination: glow lamp, 230 V, red	
Rating Code UL	R 142	
Contact type	lifting contact	
Plug force of the terminals	≤ 80 N	
Approval marks	CSA / UL / ENEC 05	
Suitable for appliances of protection class	II	
Additional labeling	site, year, week of manuf. acc. to DIN EN 60062	
Type of fastening	Snap fastening	

Degree of pollution	3
Rated impulse withstand voltage	2500 V
Stock version	•

## PRODUCT IMAGE



## DRAWINGS



X	Y	Z
0.75 ... 1.25	30 -0.1	22 +0.2
1.25 ... 2	30.2 -0.1	22 +0.2
2 ... 3	30.6 -0.1	22 +0.2

X = wall thickness

Technical changes reserved. Dimensions are not binding.  
Detailed specifications available on request.

Marquardt GmbH · Schloss-Straße 16 · 78604 Rietheim-Weilheim · Germany  
Phone: +49 (0) 7424 / 99-0 · Fax: +49 (0) 7424 / 99-2399 · [www.marquardt.com](http://www.marquardt.com) · [marquardt@marquardt.de](mailto:marquardt@marquardt.de)