



**HESTORE.HU**

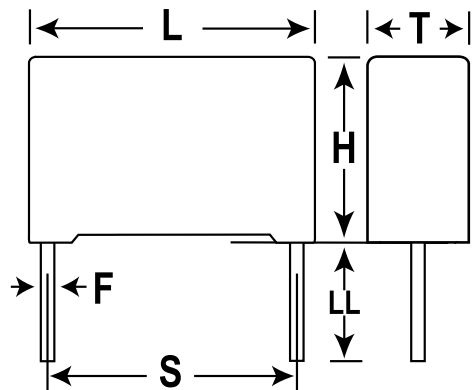
elektronikai alkatrész áruház

**EN:** This Datasheet is presented by the manufacturer.

Please visit our website for pricing and availability at [www.hestore.hu](http://www.hestore.hu).

**KEMET Part Number: PHE844RR7220MR06L2**  
 (F844RP225M440C, PHE844RR7220MR06R06L2)

Capacitor, Film, Metallized Polypropylene, 2.2 uF, +/-20% Tol, -40/+105C, Safety: X1, 440 VAC, Lead Spacing=37.5 mm



General Information	
Supplier:	KEMET
Dielectric:	Metallized Polypropylene
Application:	Safety: X1
Style:	Radial Box
Lead Form:	Wire Leads
Features:	Pulse
Approvals:	ENEC,UL,cUL
RoHS:	Yes

Dimensions (mm)		
Symbol	Dimension	Tolerance
L	41	MAX
H	38	MAX
T	21	MAX
S	37.5	+/-0.5
LL	6	-1
F	1	+/-0.05

Specifications	
Capacitance:	2.2 uF
Voltage:	1000 VDC
Tolerance:	+/-20%
Voltage AC:	440 VAC
Voltage:	480 VAC (UL, cUL)
Rated Temperature:	105C
Temperature Range:	-40/+105C
Dissipation Factor @ 1 kHz:	0.1%
Dissipation Factor @ 10 kHz:	0.8%
Insulation Resistance:	4.55 GOhm
Maximum dVdT:	100 v/us
Miscellaneous:	ClimCat: 40/105/56/B

Packaging Specifications	
Package Kind:	Bulk
Package Type:	Tray
Package Quantity:	84