



HESTORE.HU

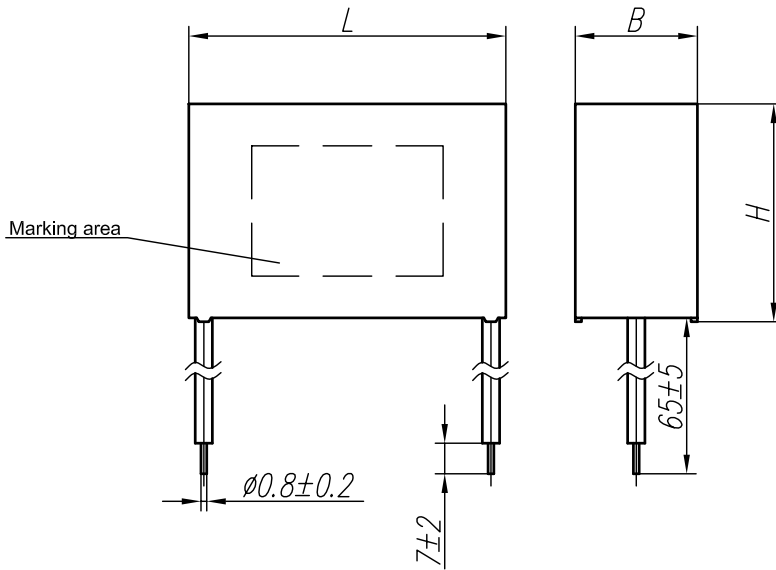
elektronikai alkatrész áruház

EN: This Datasheet is presented by the manufacturer.

Please visit our website for pricing and availability at www.hestore.hu.

AC METALLIZED POLYPROPYLENE FILM CAPACITORS FOR MOTOR APPLICATIONS

Version 02

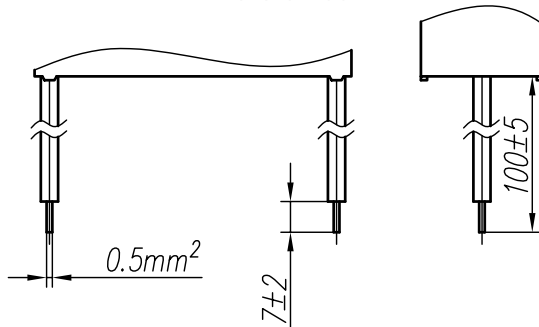


Capacitor dimensions

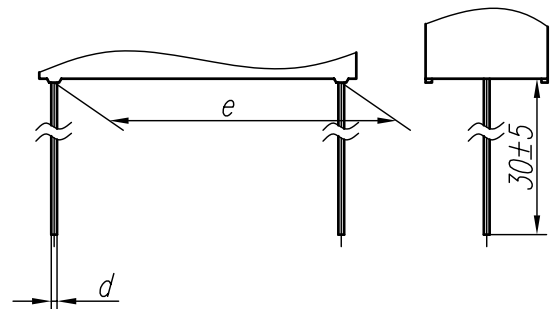
Rated Capacitance	Dimensions				
	B ± 1	H ± 1	L ± 1	d ± 0.2	e ± 0.5
	ver. 04				
μF	mm	mm	mm	mm	mm
0.5	11.5	20.5	31.5	0.8	27.5
0.68		24.5			
1	15	24.5	41.4		37.5
1.5	16	28.5			
2		33			
2.5	17.9	33	42.1		1
3		38			
3.5	21	38	42.1	1	38
4					
4.5					
5	21	38	42.1	1	38
5.5					
6	21	38	42.1	1	38

Other lengths of leads as well as other dimensions of capacitors and other capacitances from the given range are available at the customer's request.

Version 03



Version 04



TECHNICAL DATA:

- Capacitance tolerance:
 - $\pm 5\%$; $\pm 10\%$,
 - Rated voltage U_R :
 - 400V / 450V / 50Hz,
 - Climatic category:
 - 25/85/21 / 400V~ acc. to PN-EN 60068-1,
 - 25/70/21 / 450V~ acc. to PN-EN 60068-1,
 - Tangent of the loss angle at 1V / 1kHz:
 - $\leq 0,001$
 - Rated temperature:
 - $+85^\circ\text{C}$ / 400V~,
 - $+70^\circ\text{C}$ / 450V~,
 - Dielectric strength between terminals:
 - $2 U_R - 60\text{s}$,
 - Case:
 - plastic,
 - Terminals:
 - version 02 - Cu wire, tinned in PCV insulation
 - version 03 - Cu stranded wire in PVC insulation, with tinned tip
 - version 04 - Cu wire, tinned
 - Application class:
 - C (3000h) 400V~,
 - D (1000h) 450V~,
 - Safety class:
 - P0,
 - The capacitors meet the requirements of:
 - PN-EN 60252-1.
- This product fulfils the requirements of the RoHS Directive (2002/95/EC).

MIFLEX S.A.

ZAKŁADY PODZESPOŁÓW RADIOWYCH
GRUNWALDZKA 3, 99-300 KUTNO, POLAND
Telephone: +48 24 355 11 00 ÷ 02
Fax: +48 24 355 11 88
e-mail: miflex@miflex.com.pl

Revision date
18.07.2008

Page
1/1