

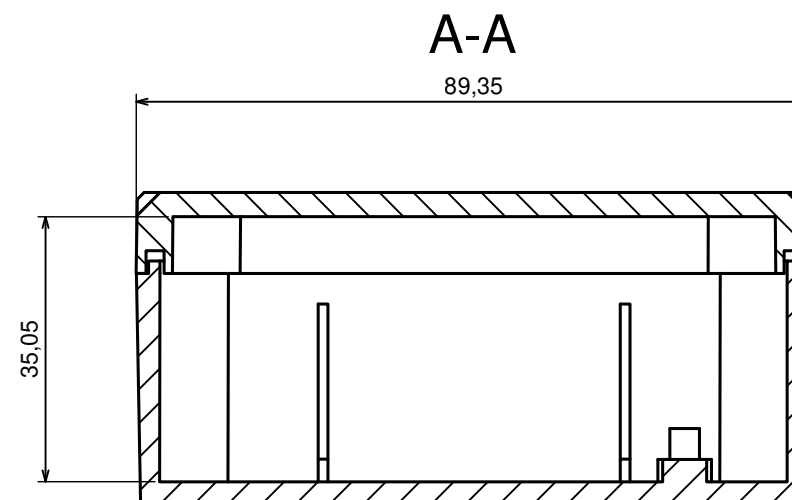
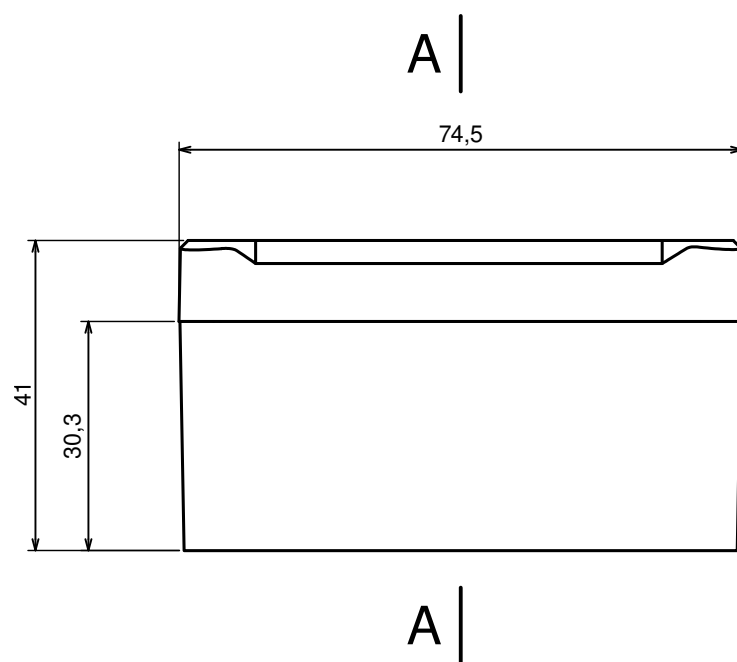



HESTORE.HU

elektronikai alkatrész áruház

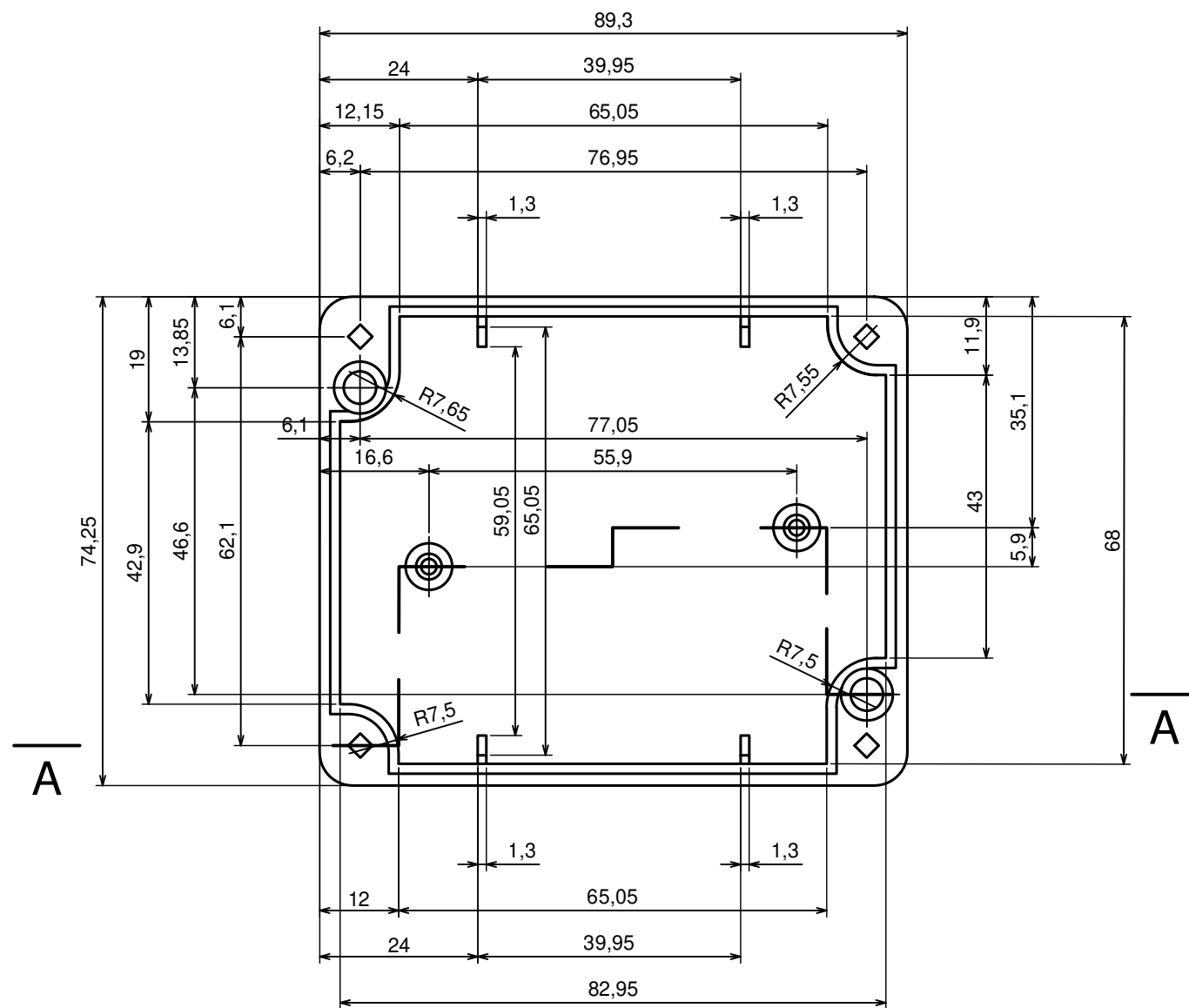
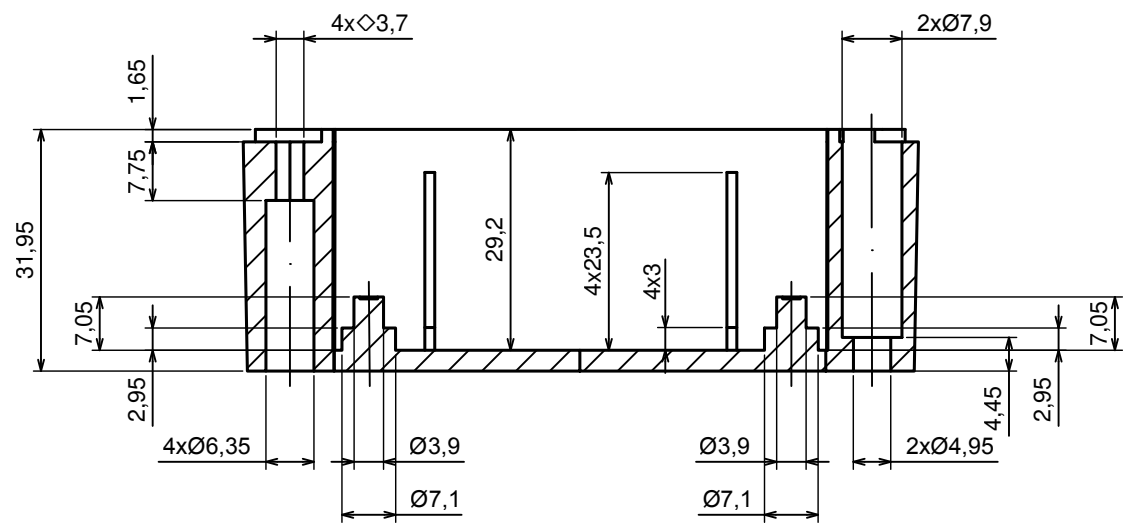
EN: This Datasheet is presented by the manufacturer.


Please visit our website for pricing and availability at www.hestore.hu.



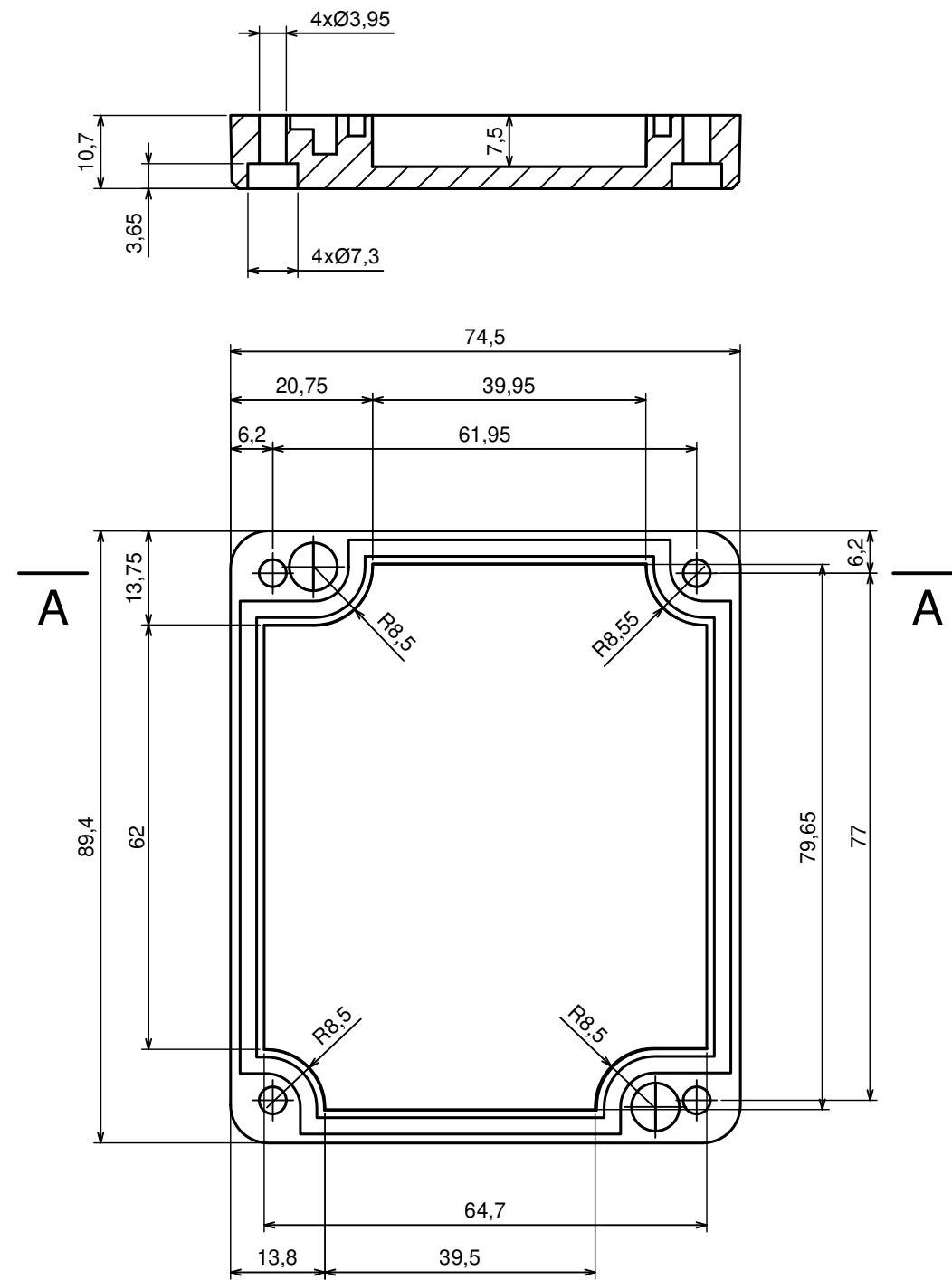
All rights reserved, Copyright Kradex 2016		
Product model	Enclosure Z54 - assembly	
Format: A3	Material: PS, ABS	
Scale 1:1	Tolerance: +/- 0.2	

A-A



All rights reserved, Copyright Kradox 2016		
Product model	Enclosure Z54 - base	
Format: A3	Material: PS, ABS	
Scale 1:1	Tolerance: +/- 0.2	

A-A



All rights reserved, Copyright Kradex 2016

Product model Enclosure Z54 - cover

Format: A3 Material: PS, ABS

Scale 1:1 Tolerance: +/- 0.2

