



**HESTORE.HU**

elektronikai alkatrész áruház

**EN:** This Datasheet is presented by the manufacturer.

Please visit our website for pricing and availability at [www.hestore.hu](http://www.hestore.hu).

REV.	DESCRIPTION	DRAWN	CHECKED	APPROVED
A	NEW RELEASE	YCH 09/04/10'	~	

NOTES:

- SPECIFICATIONS:
  - CONTACT RESISTANCE: 30mΩ(max.) INITIAL FOR VBUS AND GND CONTACTS. 50mΩ(max.) INITIAL FOR ALL OTHER CONTACTS.
  - INSULATOR RESISTANCE: 100MΩ min. AT 100V DC.
  - CURRENT RATING: 1.8A FOR VBUS PIN AND ITS CORESPONDING GND PIN. 0.25A (MIN.) FOR ALL OTHER CONTACTS
  - VOLTAGE RATING: 30V AC/DC.
  - DIELECTRIC STRENGTH: AC 100V FOR 1 Minute.
  - OPERATING TEMPERATURE: -40°C ~ +105°C.

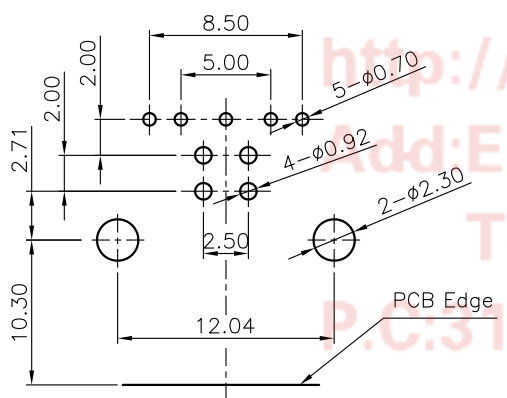
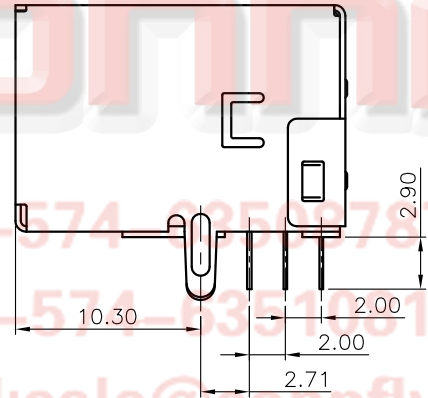
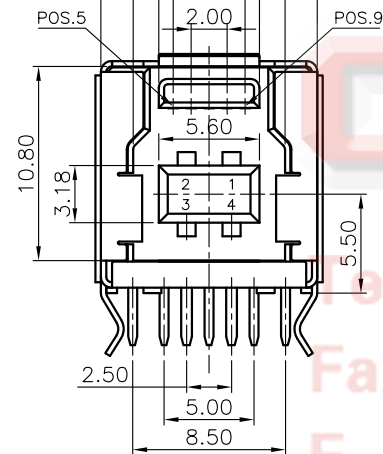
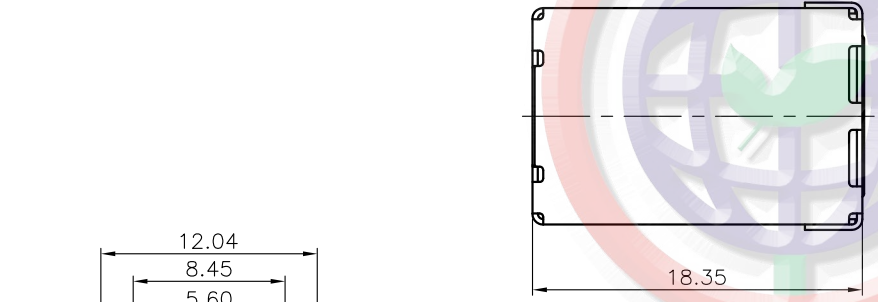
2. MATERIALS:

- HOUSING: THERMOPLASTIC (UL 94-0).
- CONTACT: COPPER ALLOY
- SHELL: COPPER ALLOY.

3. PRODUCT NUMBER CODE:

DS1099-02 - X X X

- CONTACT PLATING
  - 0: Selective Gold Flash
  - 03: Selective Gold 3u"
  - 30: Selective Gold 30u"
- SHELL PLATING
  - N: Nickel
  - 6: Tin
- COLOR OF HOUSING:
  - L: Blue
  - W: White
  - B: Black




RECOMMEND PCB LAYOUT  
TOLERANCE=±0.05

GENERAL TOLERANCE	ANGLE TOLERANCE
X. ±0.60	X. ±5°
.X ±0.38	.X ±3°
.XX ±0.25	.XX ±2°

PROJECTION	TITLE
UNITS	mm
SHEET SIZE	A4

TITLE	
USB 3.0 B TYPE FEMALE R/A DIP TYPE	
SERIES	DS1099-02 SERIES

DRAWING TYPE	CUSTOMER		
SCALE	1:1	SHEET	1 OF 1
DRAWING NO.	C-DS1099-02-XXX		


**晨翔电子有限公司**  
**CONNFLY CONNFLY ELECTRONIC CO. LTD**