



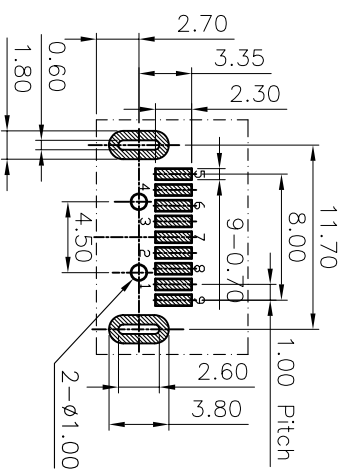
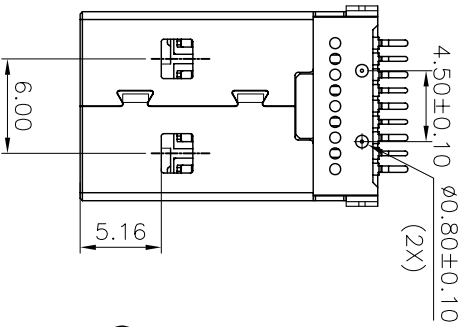
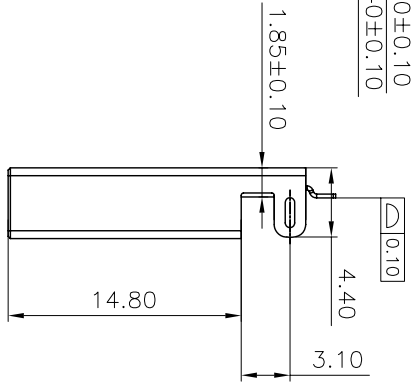
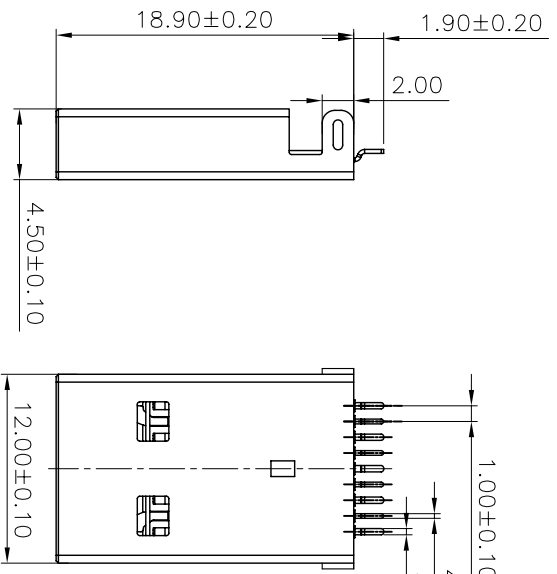
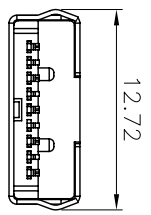
HESTORE.HU

elektronikai alkatrész áruház

EN: This Datasheet is presented by the manufacturer.

Please visit our website for pricing and availability at www.hestore.hu.

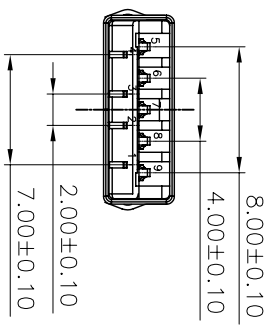
REV.	ECN NO.	DESCRIPTION	DRAW	CHECK	APPD.	DATE
A0	ECN120306011	新发行	xu dong bin	—	—	12-03-06
A1	ECN130801001	变更料号	WEI	—	—	13-08-01



料号备注:
CU3M002MXXTXXR

"12"半英寸螺帽G/F
 "15"半英寸螺帽15U"
 "16"半英寸螺帽30U"
 "00"-LCP

SPECIFICATIONS:
 Contact current Rating:
 1.8 Amperes for pin1&pin4,
 0.25 Amperes other contacts
 Dielectric Withstanding Voltage:AC 100V(RMS)
 Insulation resistance:100Megaohms Minimum.
 Contact Resistance:
 30mΩ Max for pin1&pin4
 50mΩMax for other contacts
 Mechanical Characteristics:
 Mating Force:35 Newtons,Maximum
 Unmating Force:10 Newtons,Minimum.
MATERIAL:
 Housing: LCP+30%GF 94V-0 COLOR:BLUE
 Contact: copper alloy(T=0.25mm)
PLATING:
 Contact: Au Plated on contact area
 Tin Plated on solder area
 Nickel Underplating over all
 Shell: Nickel Plated
 operating Temperature:-55to+85°



Pin NUMBER	SIGNAL NAME	UNLESS OTHERWISE SPECIFIED TOLERANCES	APPROVAL	日期	品名规格	USB AM 3.0 SMT L=1.9 K脚
1	VBUS	METRIC 0.30	制图 WEIMINGJUN	2012.03.06		
2	D-	METRIC 0.25	审核 xudongbin	2012.03.06		
3	D+	METRIC 0.25	核准 xudongbin	2012.03.06		
4	GND	METRIC 2.00*	文件位置			
5	Stda_SSRX-	X, +/-				
6	Stda_SSRX+	X, +/-				
7	GND_DRAIN	XX, +/-				
8	Stda_SSTX-	FRACTIONS +/-				
9	Stda_SSTX+	ANGLES +/-				
Shell/Shield		(METRIC) (MM)	ANGLE OF PROJECTION		字架 A4	工程图号: DW/G-USBAM-012
					比例 1:1	状态码 A
						页码 1 OF 1
						版本 A1