



HESTORE.HU

elektronikai alkatrész áruház

EN: This Datasheet is presented by the manufacturer.

Please visit our website for pricing and availability at www.hestore.hu.

PORTABLE, ENCASED AND PROTECTIVE TRANSFORMER

PFS



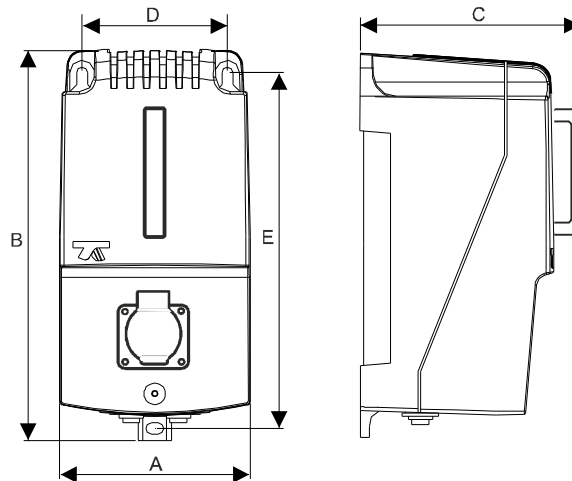
Encased protective transformers suited predominantly for those applications that require protection against electric shock and high IP grade. PFS is a portable version, fitted with a handle, power cord, and an output socket. The transformers are made with Class II insulation and protection grade IP34 or IP44, maximum ambient temperature 25°C, thermal class of insulation B (130°C). Manufactured in compliance with EN 61558-2-4 and EN 61558-2-6.



Rated power: 100 - 800 VA

Rated voltage PRI: 230 V 50/60 Hz

Rated voltage SEC: 12 - 230 V



Type	Power [VA]	Dimensions [mm]					Mounting	Weight [kg]
		A	B	C	D	E		
PFS 100	100	90	175	125	71	160	M4	2,00
PFS 120	120	96	166	111	78	148	M4	2,30
PFS 160	160	105	200	140	80	165	M5	3,10
PFS 250	250	105	200	140	80	165	M5	3,90
PFS 630	630	146	272	178	113	255	M5	9,80
PFS 800	800	146	272	178	113	255	M5	10,60

Because of the constant development of product construction and changes concerning technical requirements, Breve-Tufvassons Company reserves the right to change the parameters mentioned above.

