



**HESTORE.HU**

elektronikai alkatrész áruház

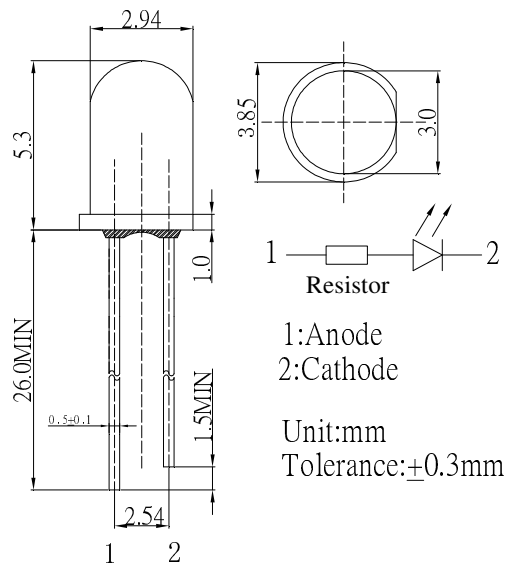
**EN:** This Datasheet is presented by the manufacturer.

Please visit our website for pricing and availability at [www.hestore.hu](http://www.hestore.hu).

### ■ Features

- High Luminous LEDs
  - 3mm Round Standard Directivity
  - Superior Weather-resistance
  - UV Resistant Epoxy
  - Integral Current Limiting Resistor
  - TTL Compatible (Requires No External Current Limiter With 12 Volt Supply)
  - Cost Effective (Saves Space and Resistor Cost)
  - Water clear Type
- ### ■ Applications
- Status Indicators
  - Other Lighting

### ■ Outline Dimension

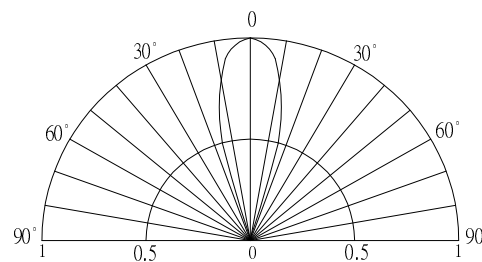


### ■ Absolute Maximum Rating

(Ta=25°C)

Item	Symbol	Value	Unit
DC Forward Voltage	V <sub>F</sub>	15	V
Reverse Voltage	V <sub>R</sub>	12	V
Power Dissipation	P <sub>D</sub>	225	mW
Operating Temperature	Topr	-30 ~ +85	°C
Storage Temperature	Tstg	-30 ~ +85	°C
Lead Soldering Temperature	Tsol	260°C/5sec	-

### ■ Directivity



### ■ Electrical -Optical Characteristics

(Ta=25°C)

Part Number	Color			I <sub>F</sub> (mA)			I <sub>v</sub> (mcd)*			λD(nm)*			2θ1/2(deg)
				Min	Typ.	Max.	Min.	Typ.	Max.	Min.	Typ.	Max.	Typ.
				V <sub>F</sub> =12V			V <sub>F</sub> =12V						
OSW5DK3131A-12V	White	W		-	10	15	3000	4200	-	X=0.27, Y=0.28			30
OSM5DK3131A-12V	Warm White	M		-	10	15	2180	3000	-	X=0.45, Y=0.41			30
OSK5DK3131A-12V	Pink	K		-	10	15	1120	1560	-	X=0.45, Y=0.17			30
OSB5SA3131A-12V	Blue	B		-	10	15	1560	2180	-	465	470	475	30
OSG5DA3131A-12V	Pure Green	TG		-	10	15	3000	4200	-	520	525	530	30
OSG8HA3131A-12V	Yellow Green	G		-	10	15	500	750	-	565	570	575	30
OSY5RU3131A-12V	Yellow	Y		-	10	15	1120	1560	-	585	590	595	30
OSO5JA3131A-12V	Orange	O		-	10	15	1120	1560	-	600	605	610	30
OSR5RU3131A-12V	Red	R		-	10	15	1120	1560	-	620	625	630	30

\*1 Tolerance of chromaticity coordinates is ±10%

\*2 Tolerance of luminous intensity is ±15%