



HESTORE.HU

elektronikai alkatrész áruház

EN: This Datasheet is presented by the manufacturer.

Please visit our website for pricing and availability at www.hestore.hu.



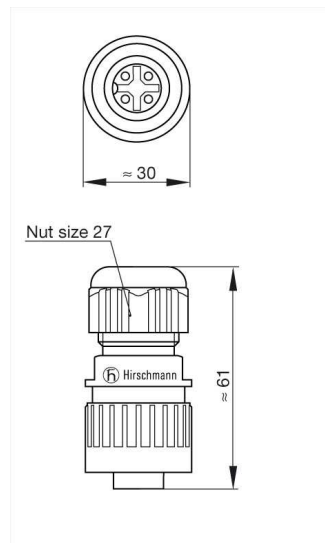
CA 3 LD

Industrial Connectors: Circular connectors CA series: Cable socket and panel-mounted socket

Product description

| | |
|--------------------|---|
| Description | Straight cable socket, integrated strain relief |
| Type | CA 3 LD |
| Order No. | 934 125-100 |
| Number of contacts | 3 + PE |
| Cable gland | M 22x2 |
| Cable diameter | 6 mm to 12 mm |
| Conductor size | max. 2.5 mm ² |
| Housing Color | black |

Drawing



Technical data

| | |
|---------------------|---------------------|
| Pin dimensions | 2 mm |
| Rated voltage | DC 250 V / AC 400 V |
| Rated current | DC 10 A / AC 16 A |
| Contact resistance | ≤ 3 mOhm |
| Type of termination | screw |

Material

| | |
|--------------------------|-------------|
| Contact surface material | Ag |
| Contact bearer material | PA 66-GF 25 |
| Housing material | PA 66-GF 25 |
| O-Ring | NBR |

Environmental conditions

| | |
|------------------------------|------------------|
| Protection class (IEC 60529) | IP 67 |
| Pollution severity | 3 |
| Temperature range | -40 °C to +90 °C |

Inflammability class

| | |
|---------------------------|--------|
| Flammability, UL standard | 94 V-0 |
|---------------------------|--------|

Approvals

| | |
|--|---|
| UL | UL |
| VDE | VDE |
| Packaging unit | |
| Packaging unit | 100 pieces |
| Scope of delivery and accessories | |
| Scope of delivery | 1 cable socket, not assembled, assembly instructions |
| Accessories to order separately | can be plugged into CA 3 LS, CA 3 GS; cap CA 00 SD 3, order no. 831 532-400 |