

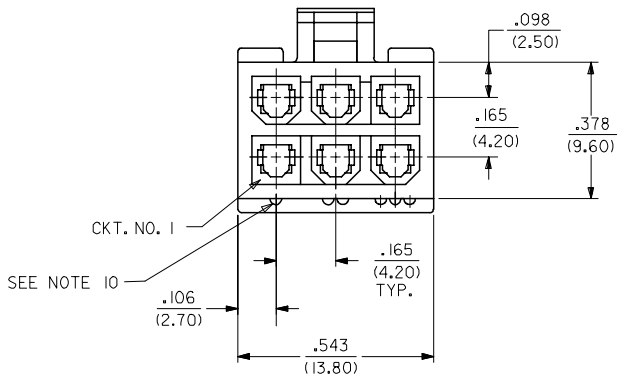
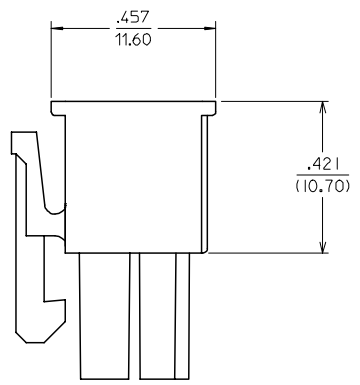
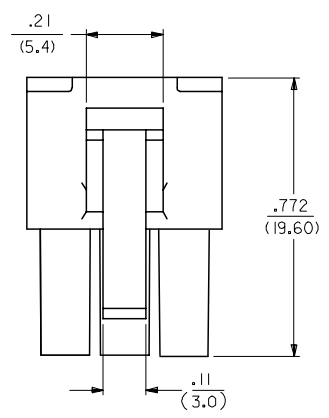
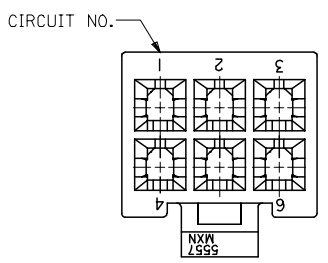


**HESTORE.HU**

elektronikai alkatrész áruház

**EN:** This Datasheet is presented by the manufacturer.

Please visit our website for pricing and availability at [www.hestore.hu](http://www.hestore.hu).



- NOTES:
- 1) HOUSING MATERIAL: NYLON, UNFILLED UL94 V-0, COLOR: BLACK
  - 2) FINISH: NONE
  - 3) PRODUCT SPECIFICATION: PS-45558-001
  - 4) PACKAGING: PER PK-5557-002
  - 5) PARTS MATE WITH MINI-FIT JR. RIGHT ANGLE HEADER ASSEMBLIES 455580002, 455580003 AND 457320001.
  - 6) PART TO BE USED WITH MOLEX FEMALE TERMINAL #5556.
  - 7) ALL DIMENSIONS ARE REFERENCE UNLESS OTHERWISE SPECIFIED WITH A TOLERANCE.
  - 8) PART IS NOT DESIGNED FOR CURENT SHARING.
  - 9) PARTS ARE NOT TO BE MATED OR UNMATED WHILE CIRCUITS ARE LIVE
  - 10) RIBS INDICATE CIRCUIT NUMBER.
  - 11) PART CONFORMS TO CLASS "B" REQUIREMENTS OF COSMETIC SPECIFICATION PS-45499-002.

<b>UPDATE NOTES</b> EC NO: UCP2008-1093 DRWN:LSCHMIDT 2007/11/20 CHKD:IBELL 2007/11/21 APPR:FSM TH 2007/11/21 REVISION DESCRIPTION	QUALITY SYMBOLS	GENERAL TOLERANCES (UNLESS SPECIFIED)		DIMENSION STYLE	SCALE	DESIGN UNITS	THIRD ANGLE PROJECTION	
	▽=0 ▽=0	mm	INCH	IN/MM	4:1	METRIC		
		4 PLACES ±	±	DRAWN BY	DATE	TITLE		
		3 PLACES ±	±	JJS	2003/11/11	6 CKT. RECEPT. HOUSING SPECIAL POLARIZATION MINI-FIT JR. SERIES		
	2 PLACES ±	±	CHECKED BY	DATE	MATERIAL NO.			
	1 PLACE ±	±	GEP	2003/11/11	SD-45559-001			
		±	APPROVED BY	DATE	SHEET NO.			
		±	YLM	2003/11/11	1 OF 1			
		±	MATERIAL NO.		DOCUMENT NO.			
		±	455590002		SD-45559-001			
		±	DRAFT WHERE APPLICABLE MUST REMAIN WITHIN DIMENSIONS					
		±	THIS DRAWING CONTAINS INFORMATION THAT IS PROPRIETARY TO MOLEX INCORPORATED AND SHOULD NOT BE USED WITHOUT WRITTEN PERMISSION					