



**HESTORE.HU**

elektronikai alkatrész áruház

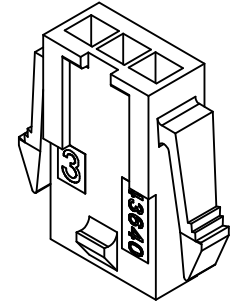
**EN:** This Datasheet is presented by the manufacturer.

Please visit our website for pricing and availability at [www.hestore.hu](http://www.hestore.hu).

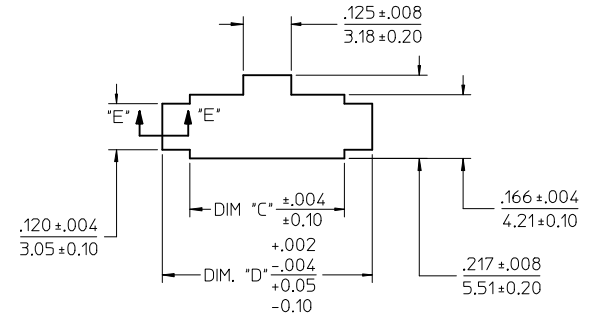
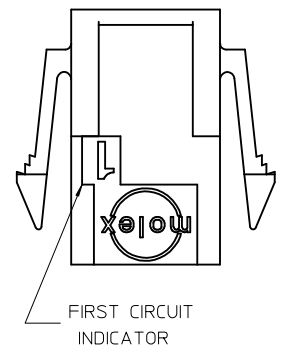
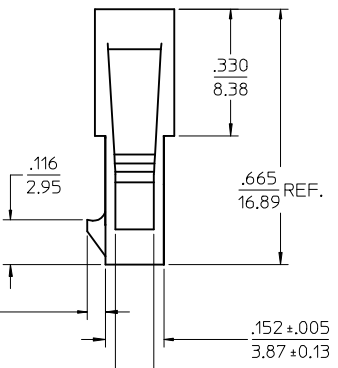
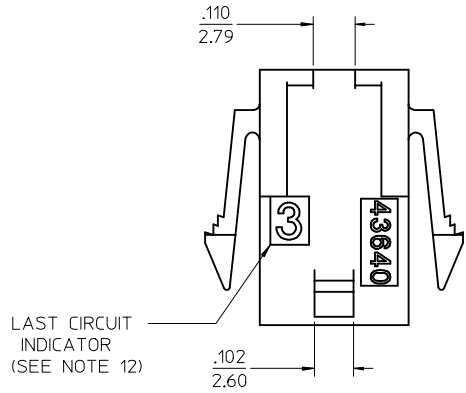
ASSEMBLY ITEM NUMBER	PART CHARACTERISTICS NUMBER OF POSITION
43640-0200	02
43640-0300	03
43640-0400	04
43640-0500	05
43640-0600	06
43640-0700	07
43640-0800	08
43640-0900	09
43640-1000	10
43640-1100	11
43640-1200	12

CKT. NO.	DIM. "A"	DIM. "B"	DIM. "C"	DIM. "D"
2	.270/6.85	.118/3.00	.284/7.21	.429/10.90
3	.388/9.85	.236/6.00	.402/10.21	.547/13.89
4	.506/12.85	.354/9.00	.520/13.21	.665/16.89
5	.624/15.85	.472/12.00	.638/16.21	.783/19.89
6	.742/18.85	.591/15.00	.756/19.21	.901/22.89
7	.860/21.85	.709/18.00	.874/22.20	1.019/25.88
8	.978/24.85	.827/21.00	.992/25.20	1.137/28.88
9	1.096/27.85	.945/24.00	1.110/28.20	1.255/31.88
10	1.215/30.85	1.063/27.00	1.229/31.22	1.373/34.87
11	1.333/33.85	1.181/30.00	1.347/34.22	1.491/37.87
12	1.451/36.85	1.299/33.00	1.465/37.22	1.609/40.87

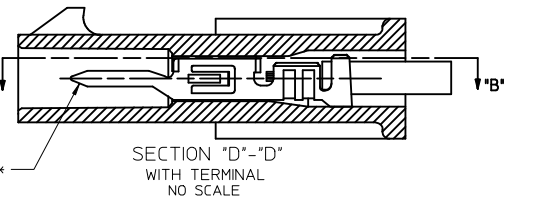
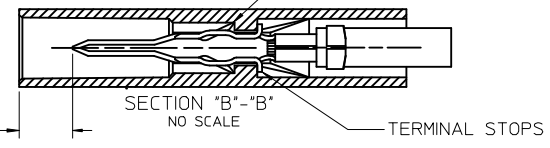
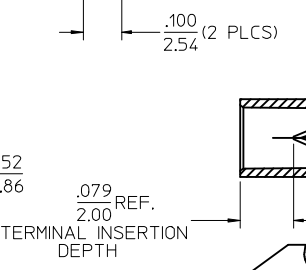
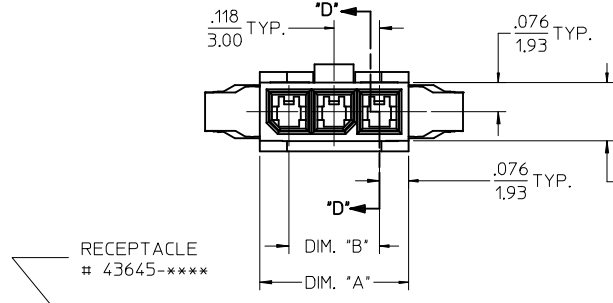
- NOTES:
- HOUSING MATERIAL: UNFILLED POLYESTER, RATED UL94V-0  
COLOR IS BLACK
  - FINISH: NONE
  - PRODUCT SPECIFICATION: PS-43650
  - PACKAGING SPECIFICATION: PK-43640-003
  - THIS HOUSING MATES WITH MICRO-FIT RECEPTACLE #43645-\*\*\*\*.
  - THIS HOUSING IS DESIGNED IN METRIC
  - THIS HOUSING TO BE USED WITH MOLEX MALE TERMINAL #43031-\*\*\*\*.
  - PLUG DESIGNED FOR .062/1.57 TO .090/2.30 THICK STAMPED PANEL OR PRINTED CIRCUIT BOARD.
  - SEE SECTION "D"- "D" FOR TERMINAL ORIENTATION IN HOUSING.
  - SEE SHEET 2 FOR PLUG WITHOUT PANEL MOUNTS.
  - PANEL MOUNT FEATURES MUST LOCK ON SIDE OPPOSITE PUNCH SIDE FOR OPTIMUM RETENTION.
  - LAST CIRCUIT INDICATOR IS NOT PRESENT ON 2 CIRCUIT HOUSING.
  - THIS PART CONFORMS TO CLASS B REQUIREMENTS OF COSMETIC SPECIFICATION PS-45499-002.



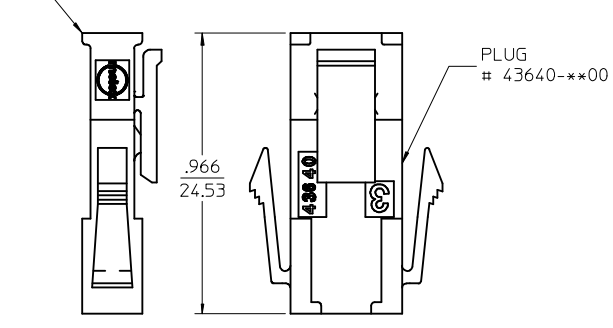
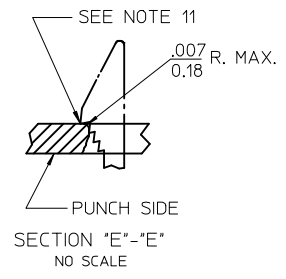
PLUG WITH PANEL MOUNTS



RECOMMENDED PANEL CUT-OUT

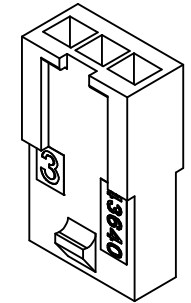
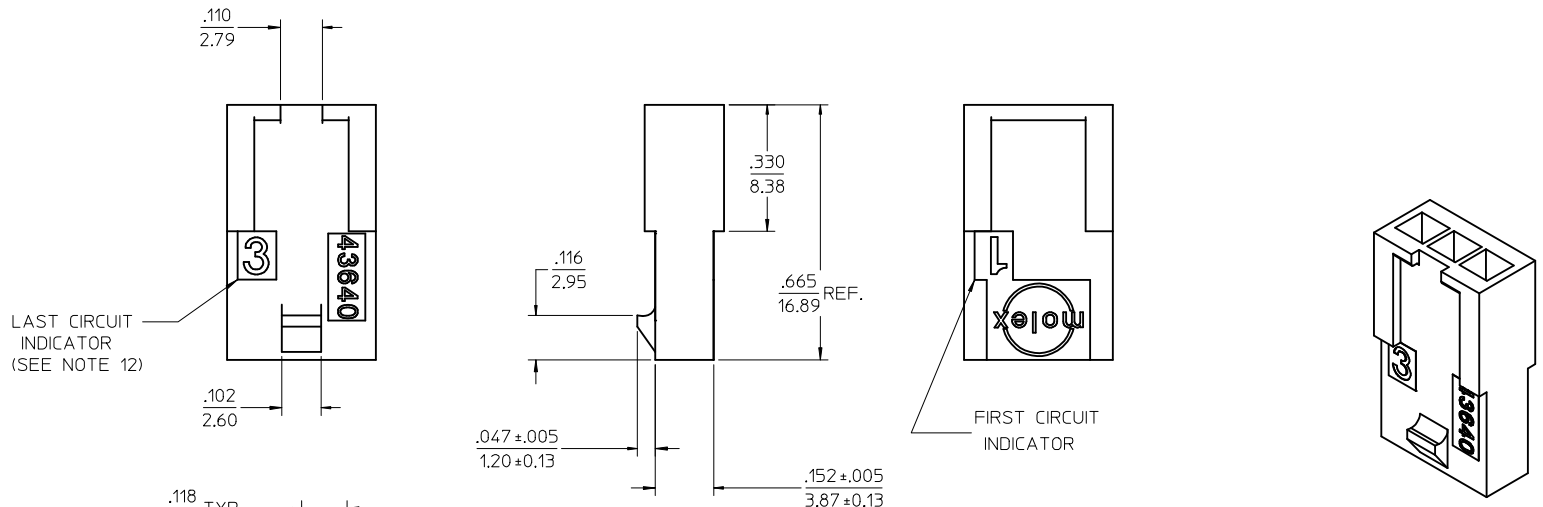


TERMINAL LOCKING TABS MUST BE FULLY SEATED TO HOUSING BEFORE MATING WITH OTHER HALF OF CONNECTOR SYSTEM.

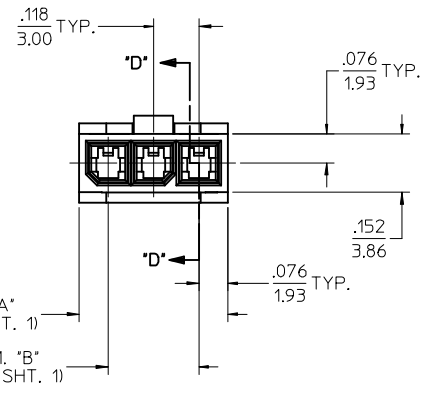


ADD NOTE 12 EC NO: UCP2014-0227 DRW:SS05SEK 2013/07/17 CHK:KMK/PPR 2013/07/18 APPR:FSM/TH 2013/07/19	QUALITY SYMBOLS ▽=0 ▽=0 ▽=0	GENERAL TOLERANCES (UNLESS SPECIFIED)	DIMENSION STYLE		SCALE	DESIGN UNITS	THIRD ANGLE PROJECTION
			mm	INCH			
REV: F3	DESCRIPTION	DRAWING WHERE APPLICABLE MUST REMAIN WITHIN DIMENSIONS	DRAWN BY		DATE	TITLE	DOCUMENT NO.
			AFG	1996/01/19			
		CHECKED BY		DATE		SD-43640-****	
		APPROVED BY		DATE		molex	
		RJF		1996/01/19		THIS DRAWING CONTAINS INFORMATION THAT IS PROPRIETARY TO MOLEX INCORPORATED AND SHOULD NOT BE USED WITHOUT WRITTEN PERMISSION	

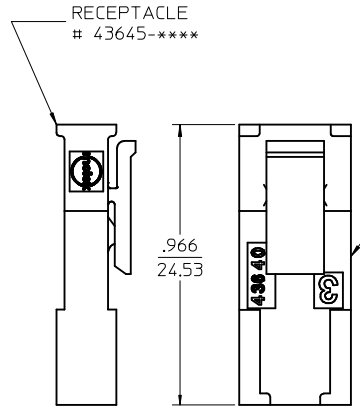
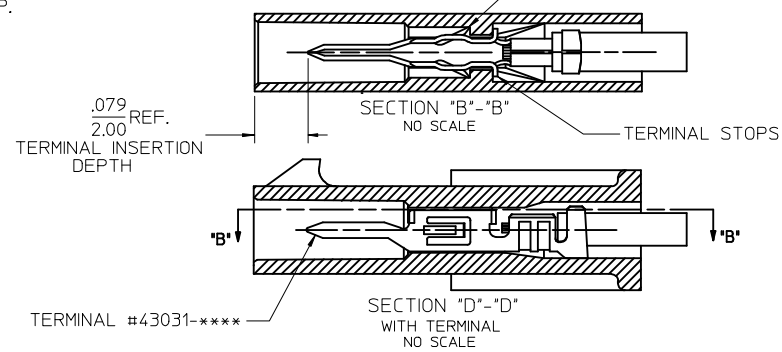
ASSEMBLY ITEM NUMBER	PART CHARACTERISTICS NUMBER OF POSITION
43640-0201	02
43640-0301	03
43640-0401	04
43640-0501	05
43640-0601	06
43640-0701	07
43640-0801	08
43640-0901	09
43640-1001	10
43640-1101	11
43640-1201	12



PLUG WITHOUT PANEL MOUNTS



TERMINAL LOCKING TABS MUST BE FULLY SEATED TO HOUSING BEFORE MATING WITH OTHER HALF OF CONNECTOR SYSTEM.



MATED MICRO-FIT CONNECTOR

ADD NOTE 12 REF EC NO: UCP2014-0227 DRW:SSOUSEK 2013/07/17 CHKD:MK IPPER 2013/07/18 APPR:FSMITH 2013/07/19	QUALITY SYMBOLS ▽=0 ▽=0 ▽=0	GENERAL TOLERANCES (UNLESS SPECIFIED)		DIMENSION STYLE IN/MM		SCALE 4:1	DESIGN UNITS METRIC	THIRD ANGLE PROJECTION	
		4 PLACES ± .005	± .005	DRAWN BY AFG	DATE 1996/01/19	TITLE MICRO-FIT (3.0) IN-LINE 2 THRU 12 CIRCUIT PLUG W/ OPTIONAL PANEL MOUNTS <b>molex</b>			
3 PLACES ± .010	± .010	CHECKED BY BAP	DATE 1996/01/19	MATERIAL NO. SEE CHART					
2 PLACES ± 0.25	± .014	APPROVED BY RJF	DATE 1996/01/19	ANGULAR ± 5 °		THIS DRAWING CONTAINS INFORMATION THAT IS PROPRIETARY TO MOLEX INCORPORATED AND SHOULD NOT BE USED WITHOUT WRITTEN PERMISSION			
1 PLACE ± 0.35	± .014	DRAFT WHERE APPLICABLE MUST REMAIN WITHIN DIMENSIONS		SIZE C					
0 PLACE ±	±								