



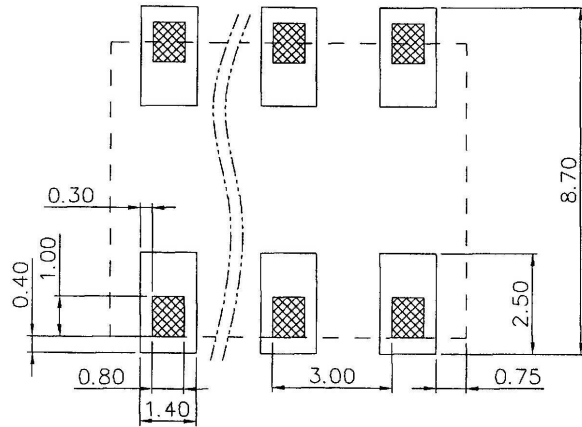
**HESTORE.HU**

elektronikai alkatrész áruház

**EN:** This Datasheet is presented by the manufacturer.

Please visit our website for pricing and availability at [www.hestore.hu](http://www.hestore.hu).

REVISION RECORD				
REV	ECN	DESCRIPTION	DRFT	DATE



PCB LAYOUT

NOTES1:

UL Standard

- Rated Voltage/Current : 600V/3A(01P)  
250V/3A(02P/03P)
- Wire Range : 26~22AWG

IEC Standard

1. Pollution Degree	3	2	2
Overvoltage Category	III	III	II
Rate Impulse Voltage(KV)	2.5KV	2.5KV	2.5KV
Rate Voltage(V)	32V	160V	160V
Rate Current(A)	3A		

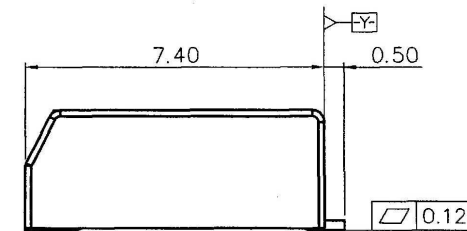
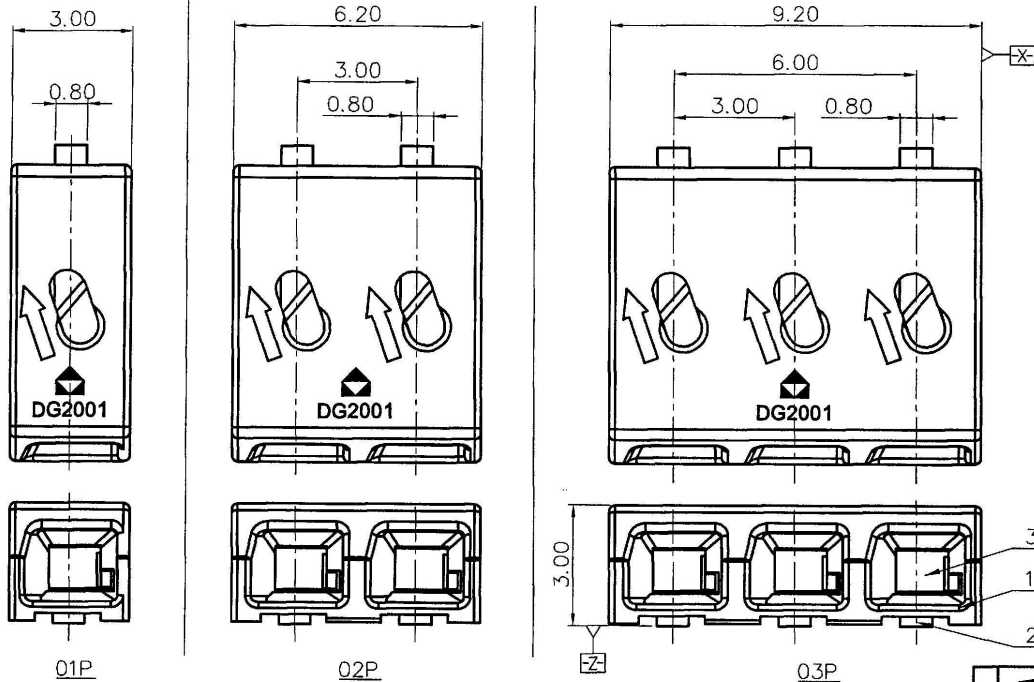
- Wire Range : 0.14~0.34mm<sup>2</sup>

NOTES2:

- Dimension shall be interpreted per ASME Y14.5-2009
- Pitch : 3.0mm, Poles : N=01~03P
- Stripping length : 5.5mm
- Operating temperature: -40°C~+130°C
- Undimensioned Tolerances:

Pitch Range In mm	Nominal Dimension Range In mm				Tolerance
	Over 6 TO 10	Over 10 TO 24	Over 30 TO 60	Over 60 TO 150	
TO 6	±0.15	±0.20	±0.30	±0.50	±1.00
	±0.20	±0.30	±0.50	±0.70	±1.30
					±2'

- RoHS Compliance



ITEM	NAME OF PART	MATERIAL	NOTES
3	SPRING	STAINLESS STEEL	
2	PIN HEADER	COPPER ALLOY	Sn PLATED
1	HOUSING	LCP	UL94V-0

MM (INCH) TOLERANCES EXCEPT AS NOTED .X ±     .X' ± .XX ±    .XX' ± .XXX ±   .XXX' ±		MATERIAL: FINISH: PART NO.:		宁波高正电子有限公司 <b>DEGSON</b> ® DEGSON ELECTRONICS CO., LTD			
ANGLES ± 1' THIRD ANGLE PROJECTION		APPD: Alan 1/28/15" CHKD: Alan 1/28/15" DRFT: XLM 04/10/15"		NAME: DG2001-3.0-XXP-1Y-01A(H)		TITLE: ASSEMBLY DRAWING DRAWING NO.: DG2001-3.0-C02	
DO NOT SCALE DRAWING				SCALE	N/A	SHEET	1/1

REV D0-1