

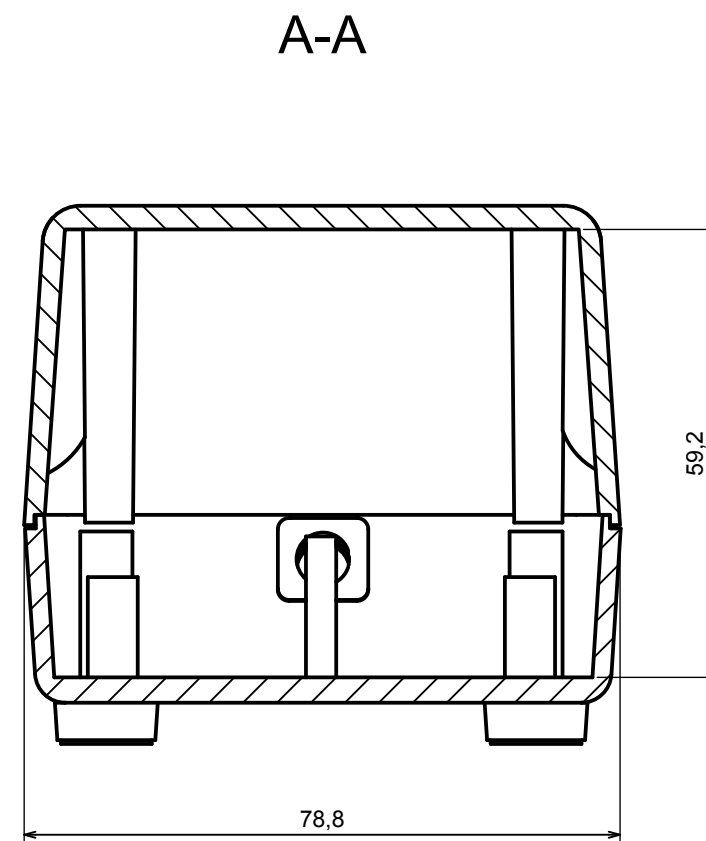
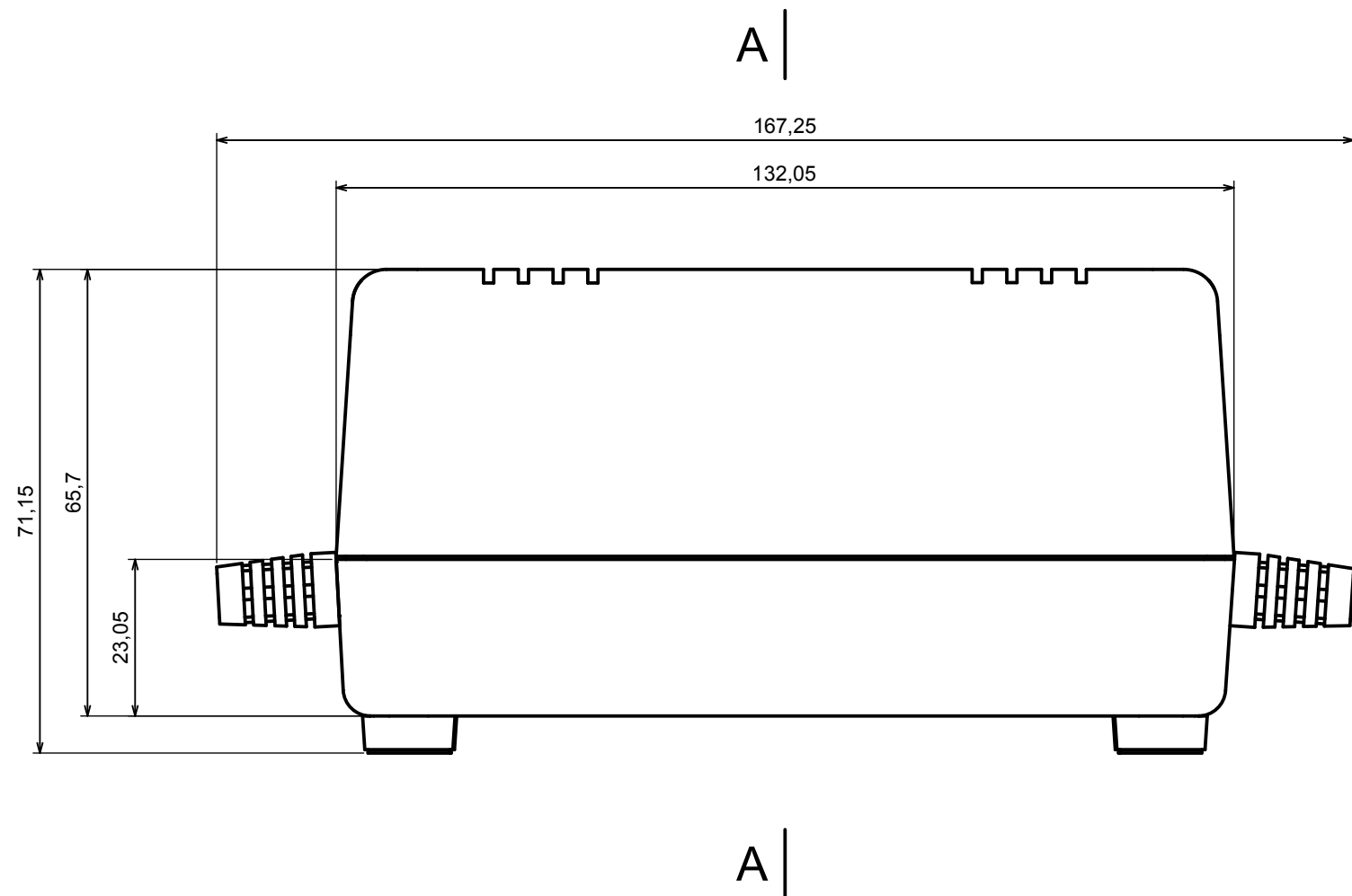


**HESTORE.HU**

elektronikai alkatrész áruház

**EN:** This Datasheet is presented by the manufacturer.

Please visit our website for pricing and availability at [www.hestore.hu](http://www.hestore.hu).



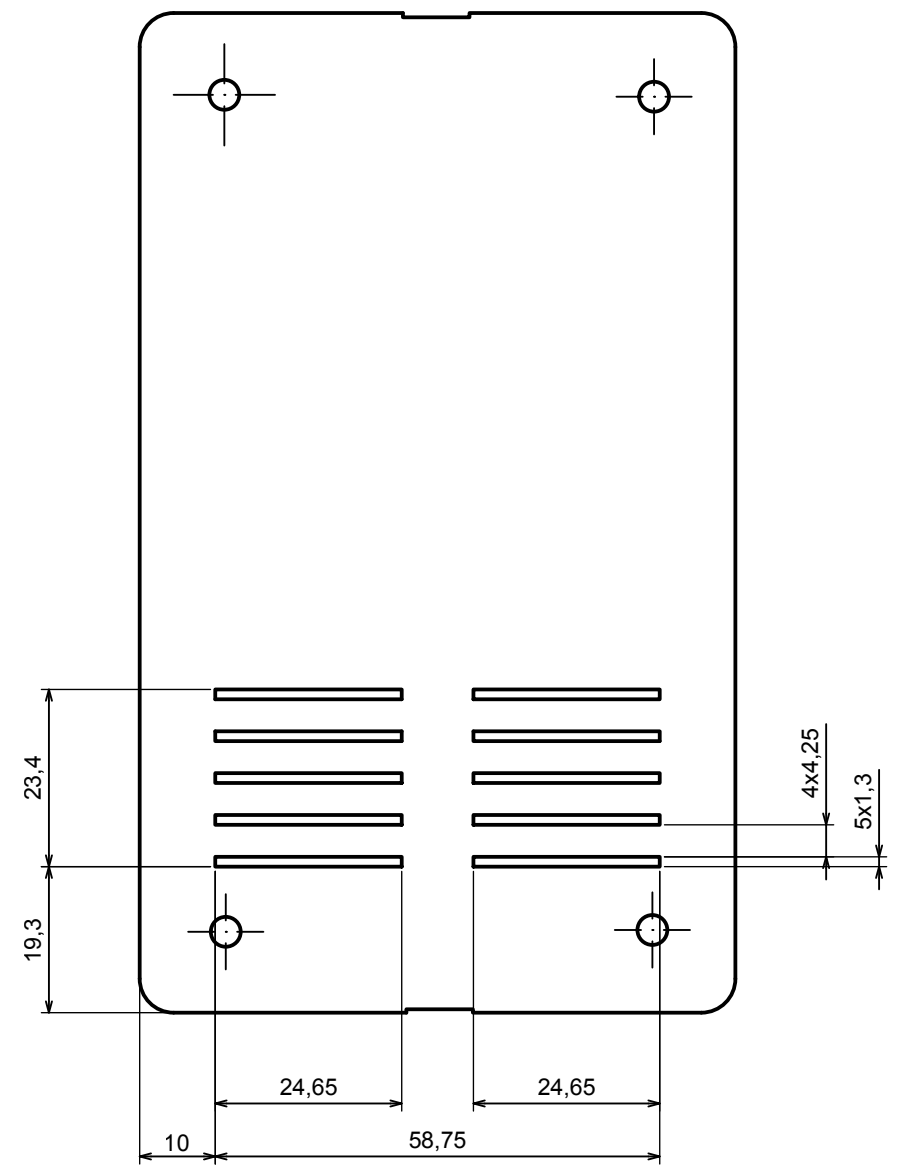
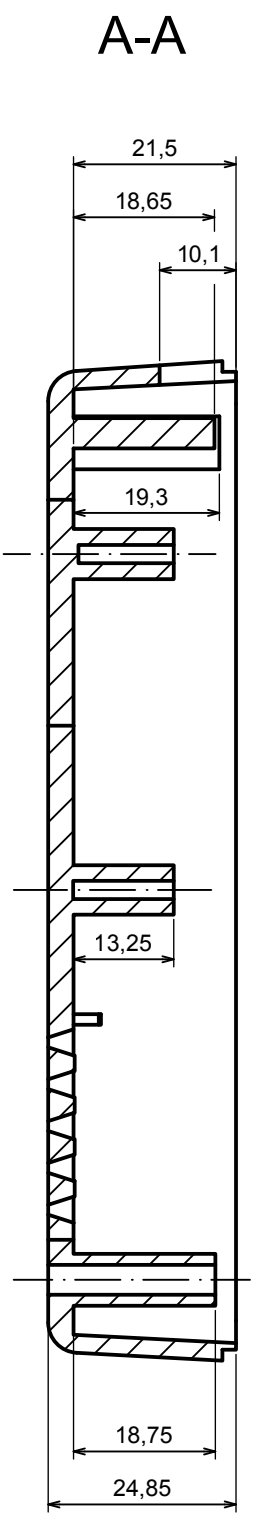
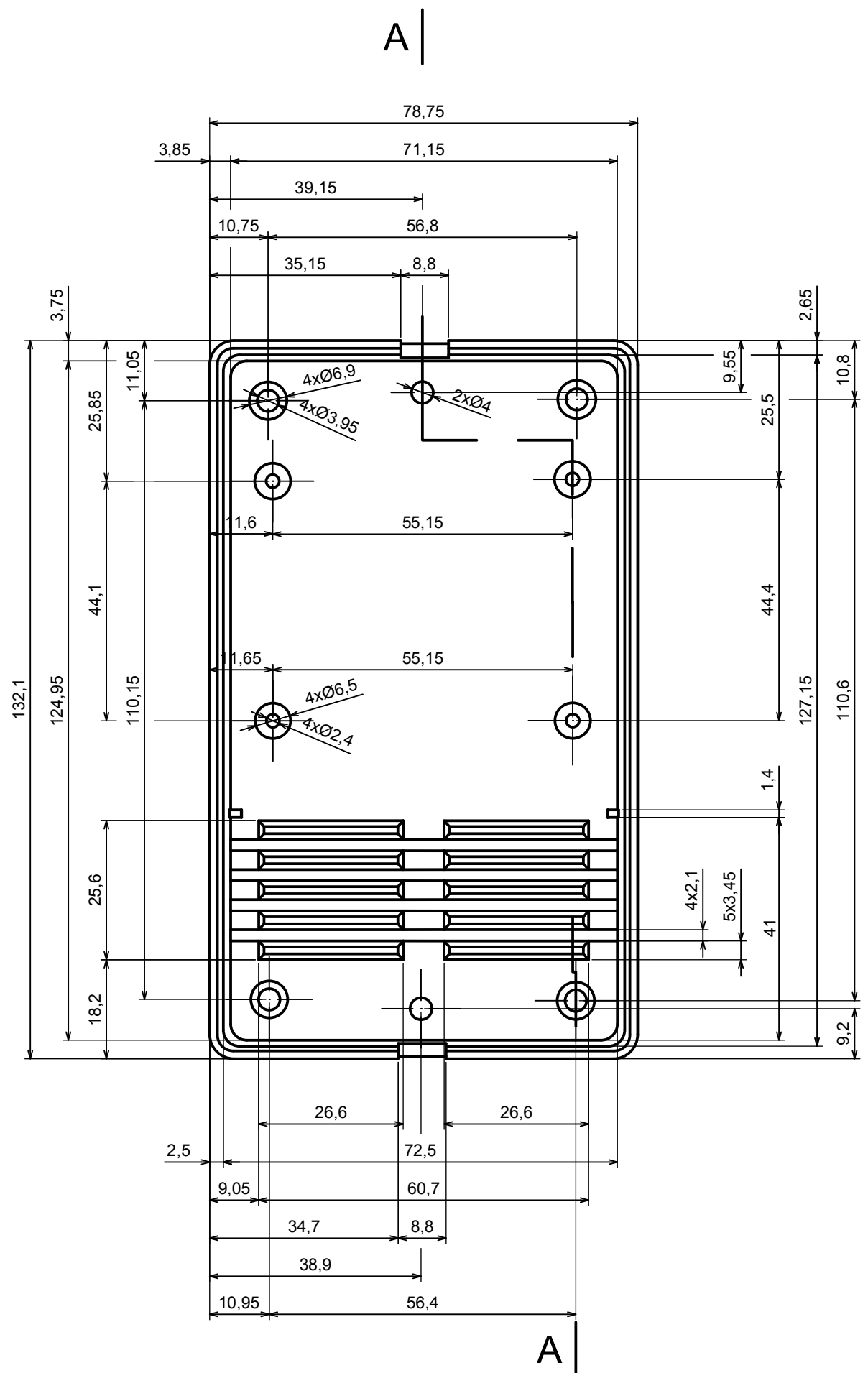
All rights reserved, Copyright Kradex 2017

Product model Enclosure Z66 - Assembly

Format: A3 Material: PS, ABS

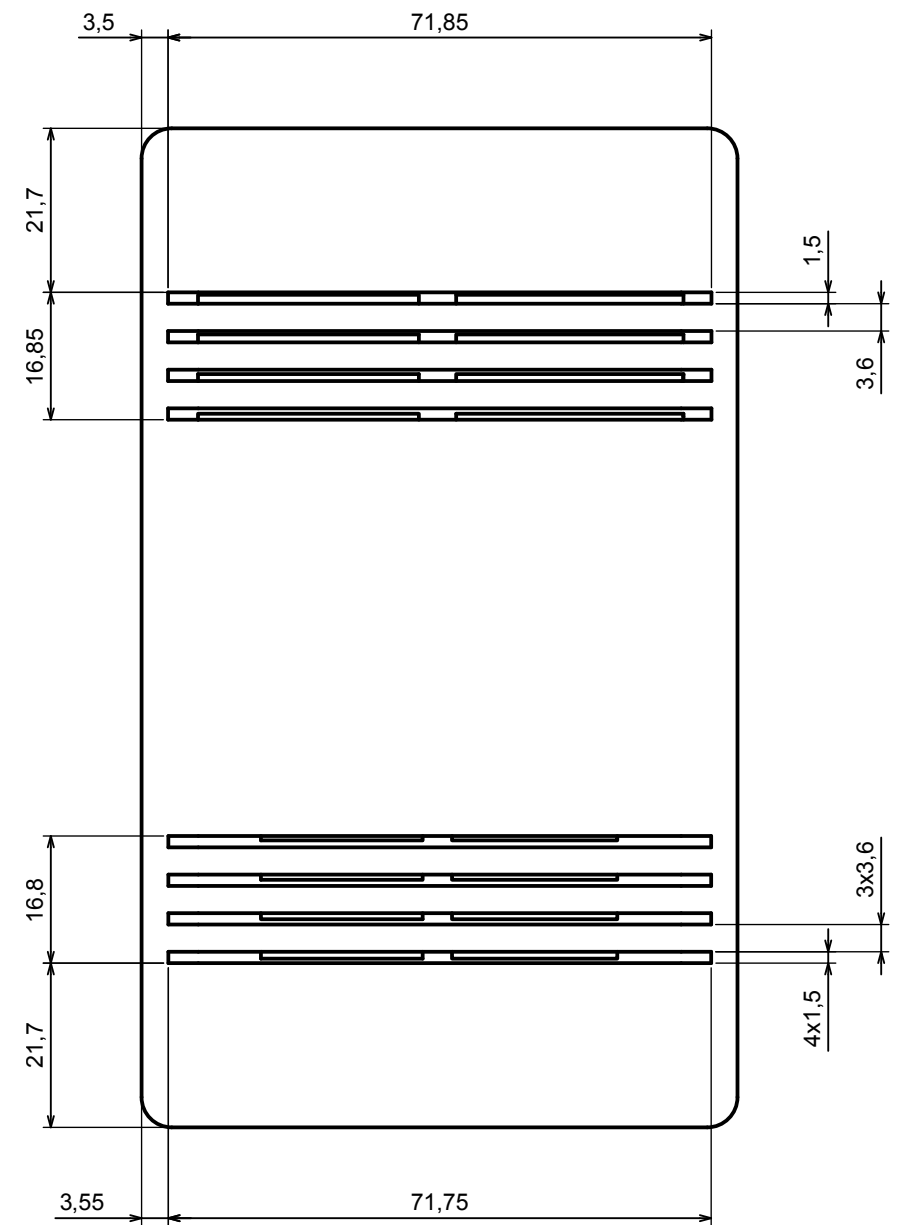
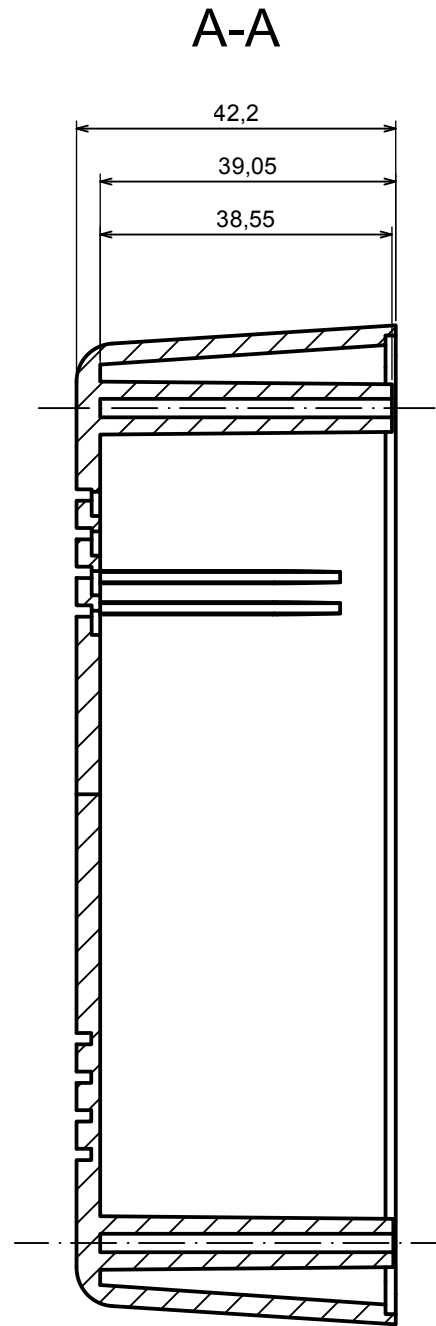
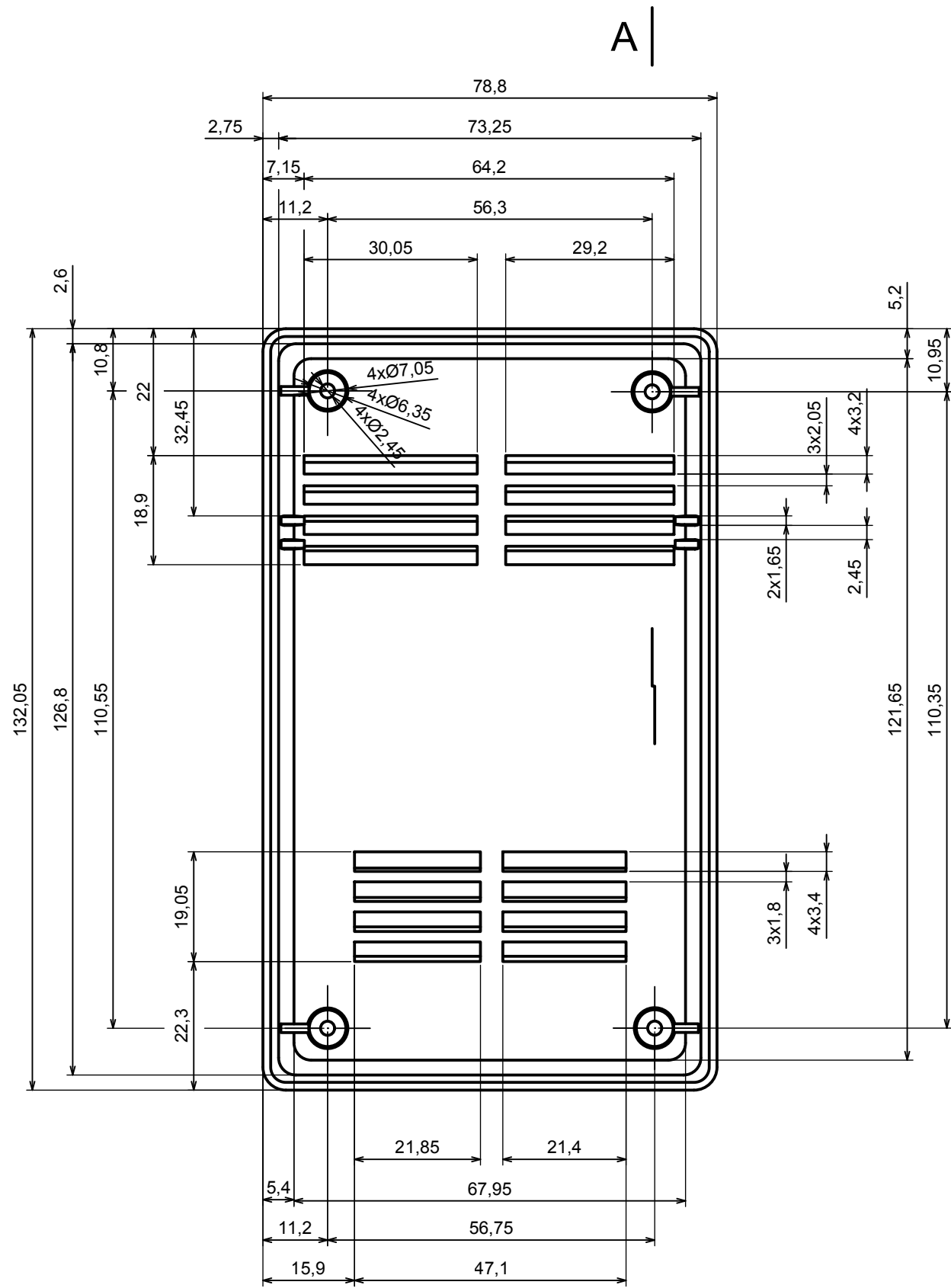
Scale 1:1 Tolerance: +/- 0.8





All rights reserved, Copyright Kradox 2017	
Product model	Enclosure Z66 - Base
Format: A3	Material: PS, ABS
Scale 1:1	Tolerance: +/- 0.8





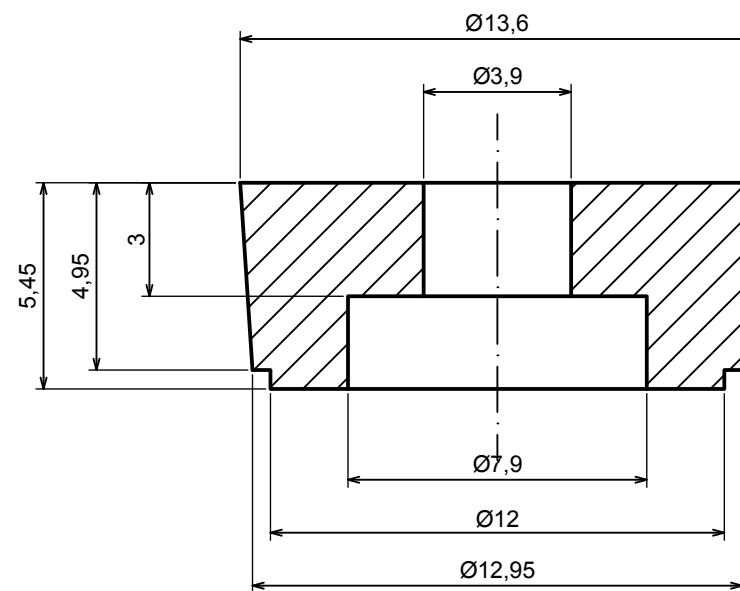
All rights reserved, Copyright Kradex 2017

Product model Enclosure Z66 - Cover

Format: A3 Material: PS, ABS

Scale 1:1 Tolerance: +/- 0.8





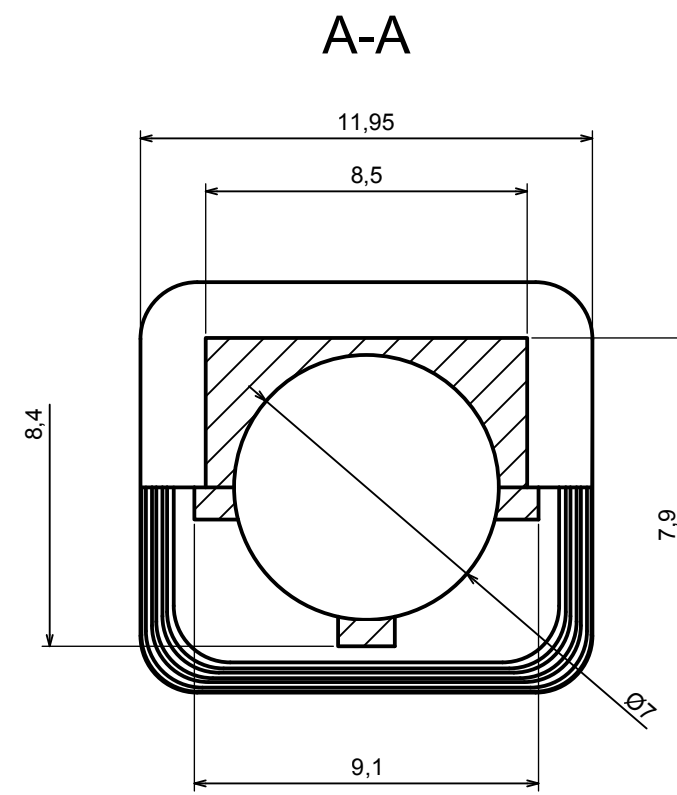
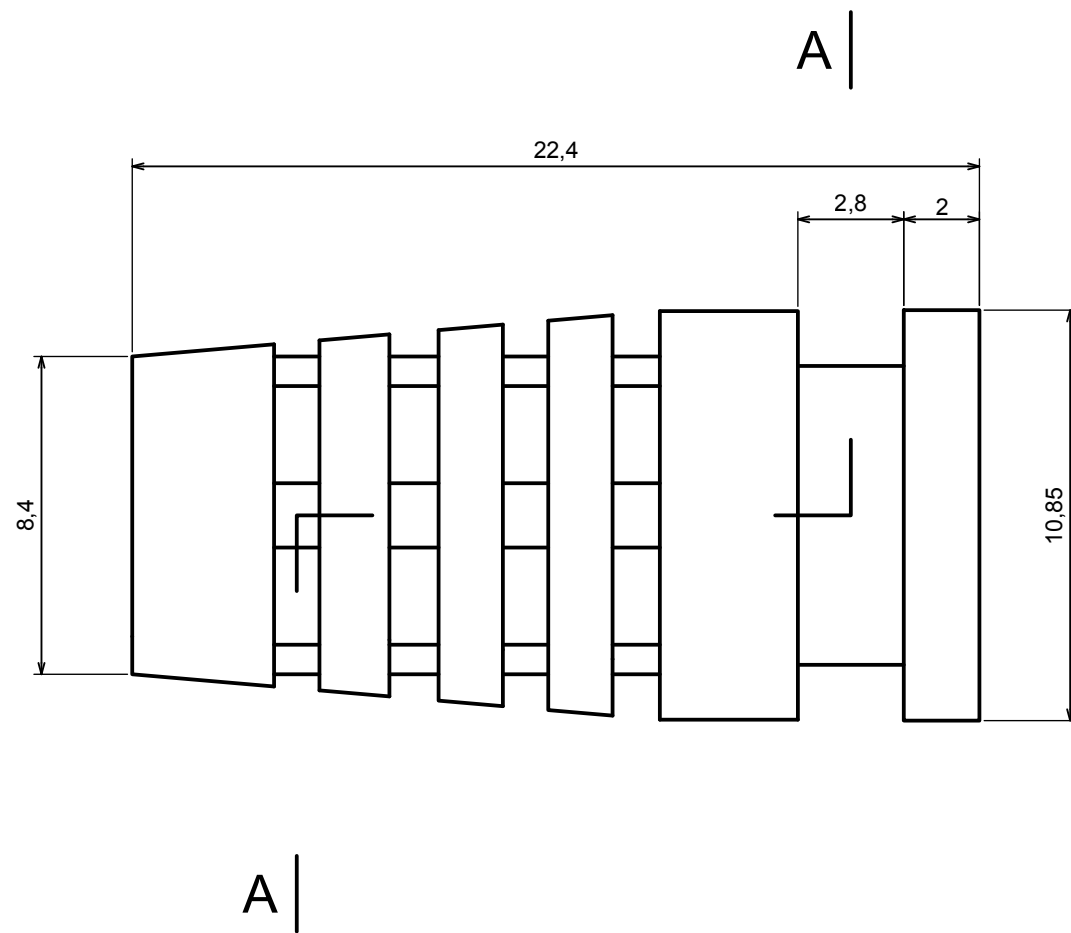
All rights reserved, Copyright Kradex 2017


Product model Enclosure Z1 - Foot

Format: A3 Material: PS, ABS

Scale 1:1 Tolerance: +/- 0.8





All rights reserved, Copyright Kradex 2017		
Product model	Enclosure Z1 - Bend Protector	
Format: A3	Material: PS, ABS	
Scale 1:1	Tolerance: +/- 0.8	