



HESTORE.HU

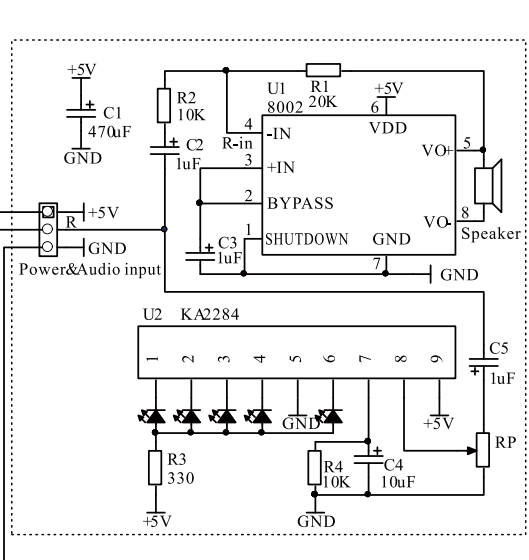
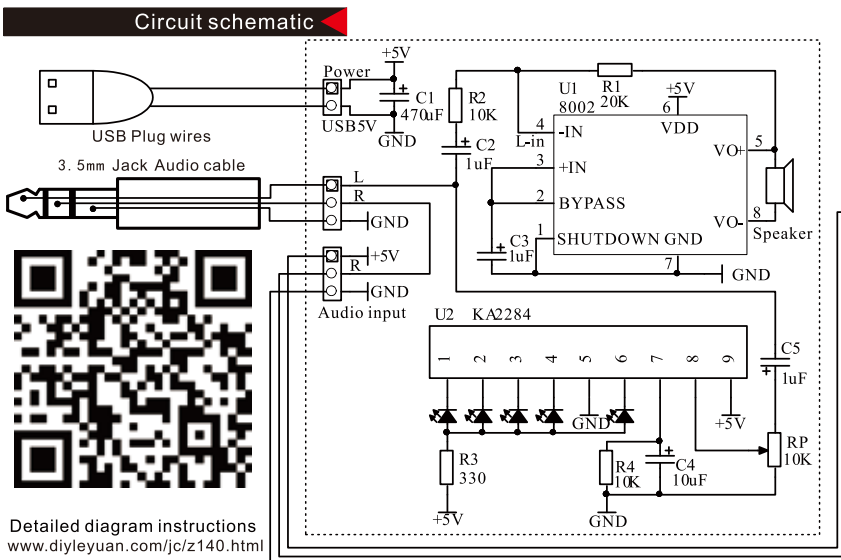
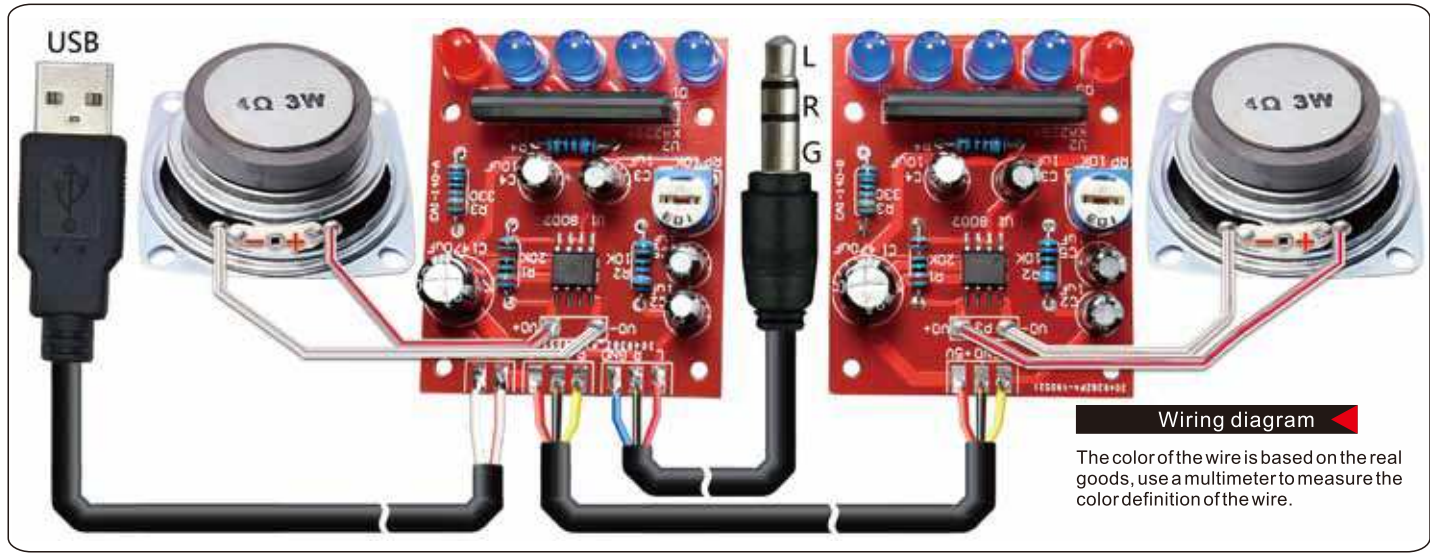
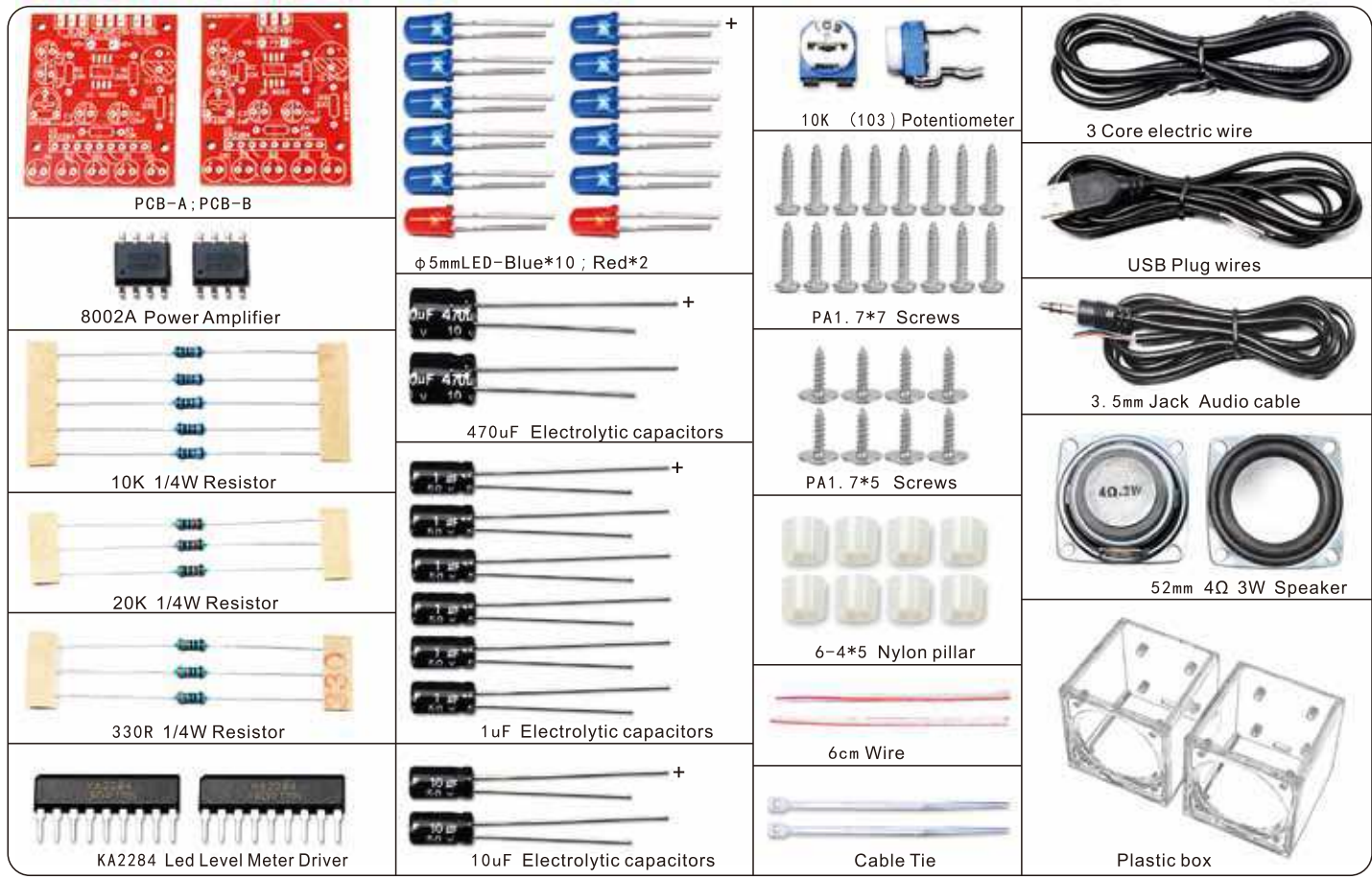
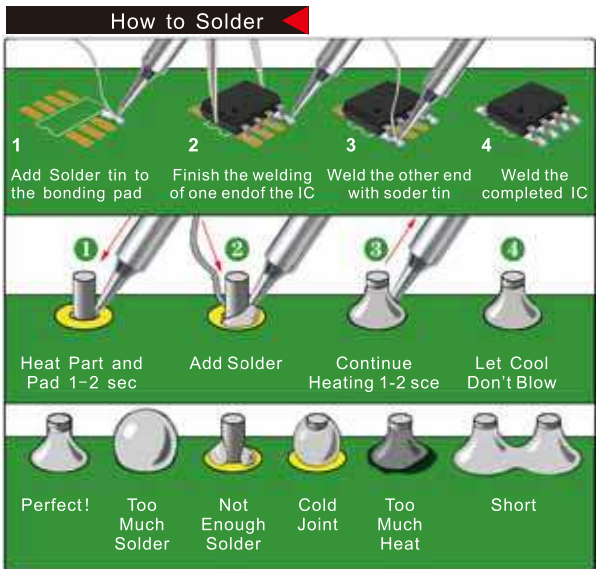
elektronikai alkatrész áruház

EN: This Datasheet is presented by the manufacturer.

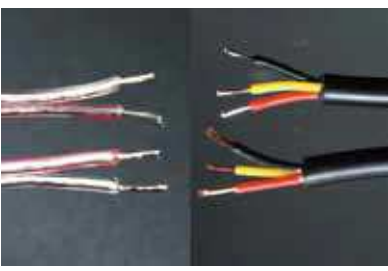
Please visit our website for pricing and availability at www.hestore.hu.

Installation tutorial of small speaker box

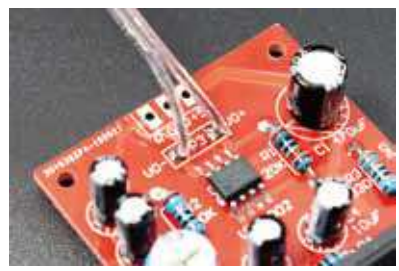
Part list			
Serial	Value	Quant	Designator
1	PCB-A;PCB-B	2	
2	8002A Power Amplifier IC	2	U1
3	10K 1/4W Resistor	5	R1, R4
4	20K 1/4W Resistor	3	R1
5	330R 1/4W Resistor	3	R3
6	KA2284 Led Level Meter Driver IC	2	U2
7	φ5mmLED-Blue*10 ; Red*2	12	D1-D5
8	470uF Electrolytic capacitors	2	C1
9	1uF Electrolytic capacitors	6	C2, C5, C3
10	10uF Electrolytic capacitors	2	C4
11	10K(103) Potentiometer	2	RP
12	PA1.7*7 Screws	16	
13	PA1.7*5 Screws	8	
14	6-4*5 Nylon pillar	8	
15	6cm Wire	2	VO- VO+
16	Cable Tie	2	
17	3 Core electric wire	1	
18	USB Plug wires	1	
19	Jack 3.5mm Audio cable	1	
20	52mm 4Ω 3W Speaker	2	
21	Plastic box	2	



- ### Installation steps
1. Weld power amplifier IC first and then install the resistance capacitance and other components. The long pin of the capacitor is positive pole, the short pin is the negative pole, and the negative pole corresponds to the shadow part of the circuit board.
 2. RP is the LED music level display sensitivity adjustment potentiometer, and adjusting it can change the sensitivity of LED.
 3. Connect a 5V electric power supply with a USB wire, solder the audio wire, and connect the R, GND, and +5V of the two PCB with a 3-core wire.



Remove the copper wire of about 5mm and add solder.



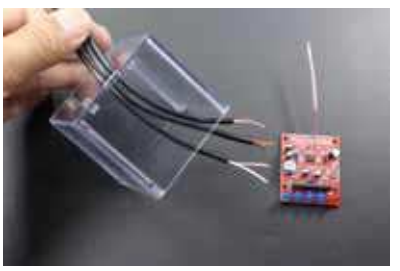
Solder the transparent wire to the position of P3, connect the red wire to VO+, and the transparent wire to VO-.



Insert the USB into the USB power supply head, and measure the positive and negative poles of the two wires with the multimeter voltage range.



Refer to the circuit schematic diagram and measure the corresponding line of the audio wire.



Pass the wire into the shell before soldering the wire.



Arrange the wires neatly and fasten the wires with nylon cable ties.



Use tweezers and a magnetic screwdriver to auxiliary install the PCB. First fix one screw without tightening, then install other screws, and finally tighten the screws.



As the picture shows, fix the loudspeaker with nylon posts and screws.



Solder the wires of the loudspeaker, connect the red wire to +, and the transparent wire to-.



Fix the shell with screws, just screw in place, excessive force can damage the shell.