



HESTORE.HU

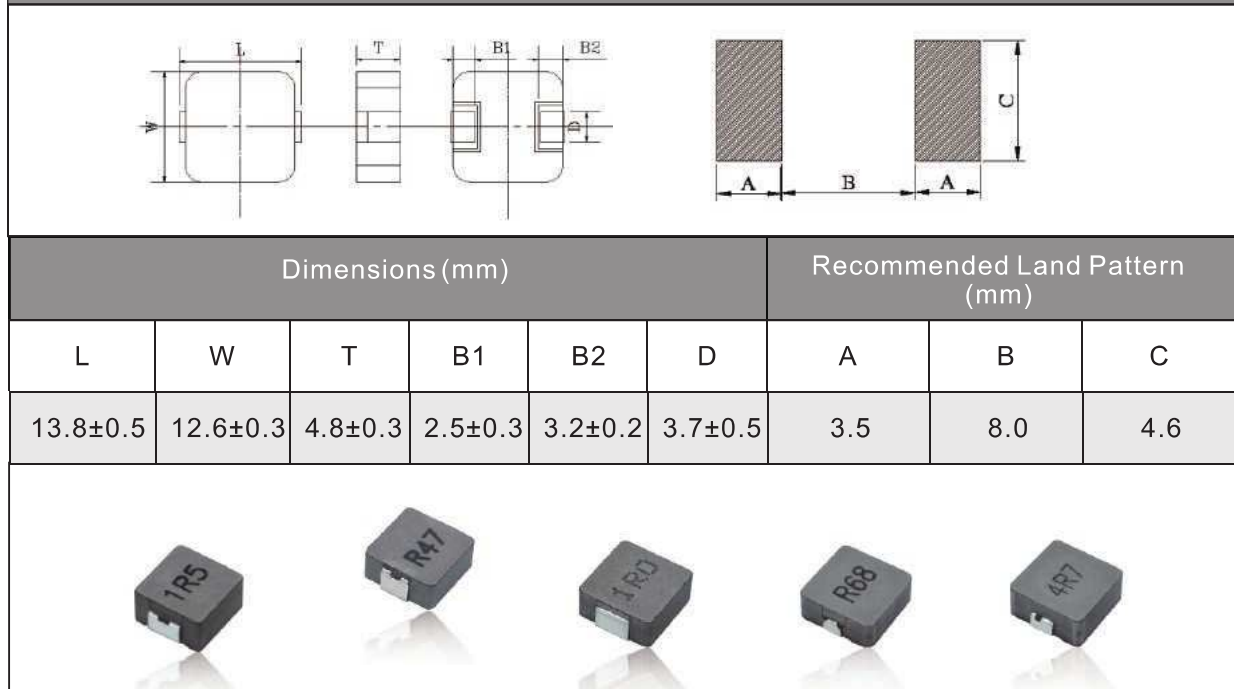
elektronikai alkatrész áruház

EN: This Datasheet is presented by the manufacturer.

Please visit our website for pricing and availability at www.hestore.hu.

HIGH POWER INDUCTOR

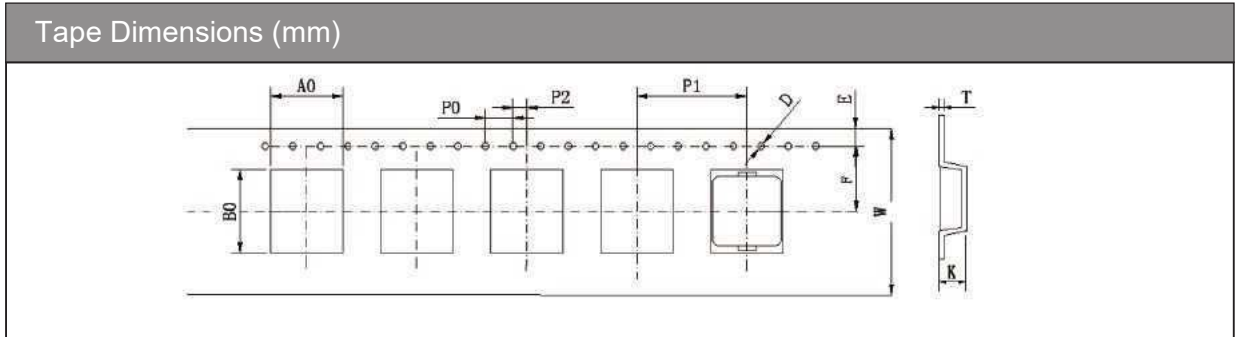
Figures and Dimensions



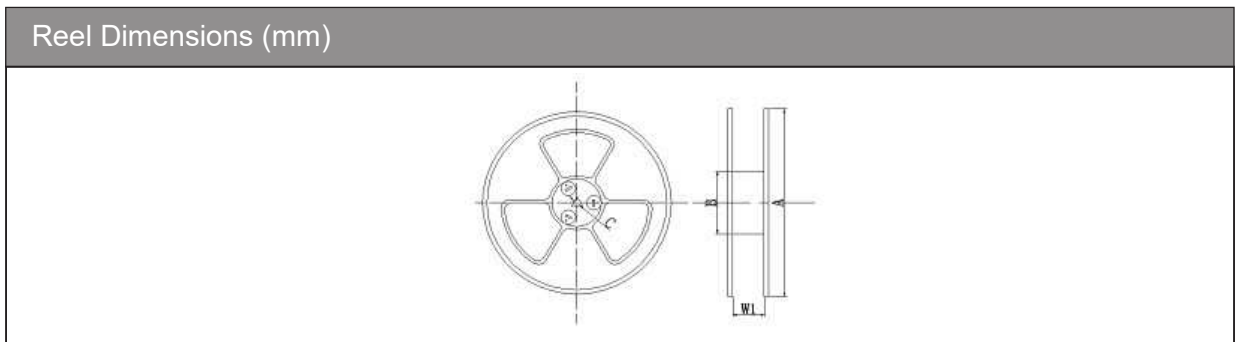
Electrical Characteristics

产品型号 Part Number	电感量 Inductance (μH)@0A	容许容差 Tolerance	直流电阻 Resistance ($\text{m}\Omega$) $\pm 7\%$	饱和电流 Saturation Current Typ.(A)	温升电流 Heat Rating Current Typ.(A)
HPI1260-R44	0.44	$\pm 20\%$	0.8	40.0	38.0
HPI1260-R68	0.68	$\pm 20\%$	1.25	38.0	32.0
HPI1260-1R0	1.00	$\pm 20\%$	1.75	25.0	24.0
HPI1260-1R5	1.50	$\pm 20\%$	2.45	21.0	18.0
HPI1260-2R2	2.20	$\pm 20\%$	3.4	18.0	16.0
HPI1260-3R3	3.30	$\pm 20\%$	7.0	15.0	14.0
HPI1260-4R7	4.70	$\pm 20\%$	8.5	13.0	12.0
HPI1260-5R6	5.60	$\pm 20\%$	10.0	12.0	10.0
HPI1260-6R8	6.80	$\pm 20\%$	12.0	11.0	9.0
HPI1260-8R0	8.00	$\pm 20\%$	14.0	9.5	8.0
HPI1260-100	10.0	$\pm 20\%$	17.5	8.0	7.5
HPI1260-120	12.0	$\pm 20\%$	23.0	8.0	6.0
HPI1260-150	15.0	$\pm 20\%$	30.0	7.5	6.0
HPI1260-220	22.0	$\pm 20\%$	38.0	6.0	5.0
HPI1260-330	33.0	$\pm 20\%$	53.0	5.0	4.0
HPI1260-470	47.0	$\pm 20\%$	82.0	4.3	3.5
HPI1260-680	68.0	$\pm 20\%$	120.0	3.5	3.0
HPI1260-101	100.0	$\pm 20\%$	185.0	3.0	2.5
HPI1260-121	120.0	$\pm 20\%$	220.0	2.5	2.0
HPI1260-151	150.0	$\pm 20\%$	340.0	2.3	2.0

Package



	A0	B0	W	F	E	P1	P2	P0	D	T	K
12 Series	±0.1	±0.1	±0.3	±0.1	±0.1	±0.1	±0.1	±0.1	±0.05	±0.05	±0.1
	13.0	14.0	24	11.5	1.75	16	2.0	4.0	1.5	0.4	H+0.2



	A	B	C	W1	Quality(pcs/Reel)
12 Series	330	100	13.0	24.0	500