



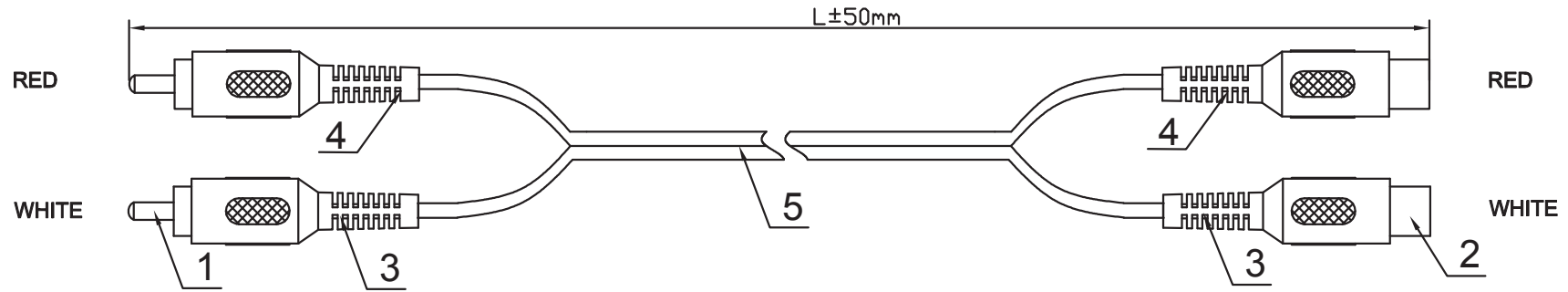
HESTORE.HU

elektronikai alkatrész áruház

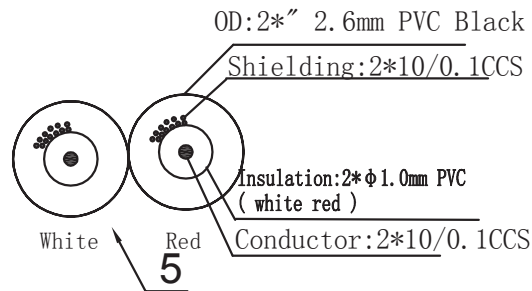
EN: This Datasheet is presented by the manufacturer.

Please visit our website for pricing and availability at www.hestore.hu.

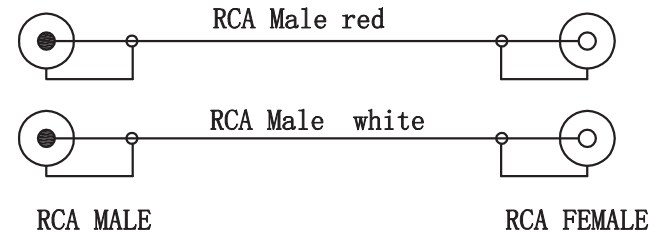
FILE AMEND NOTE	DATE	REV.
ORIGINAL EDITION	2012/10/24	A/0



SPECIFICATION



WIRING DIAGRAM



NOTE:

Electrical test
100% open short & miss wire test;

MATERIAL LIST

NO.	ITEM NO.	EAN CODE:	L
1	CA1037	4052792008715	5,0m

NOTE:

1. TESTING: 100% OPEN AND SHORT AND MISWIRE TEST.
2. INSULATION RESISTANCE: 100Meg Ohm.
3. WITHSTAND VOLTAGE: 500 VOLTS RMS, 1 MINUTE.
4. OPERATING TEMPERATURE RANGE: -20! TO + 75! .
5. 100% RoHS COMPLIANT.

No.	PART NAME	DESCRIPTION	QTY	REMARK	APPROVE BY	CHECK BY	DRAW BY	SCALE	MM
⑦	PRINTING								
⑥	POLY BAG	PE, COLOR: TRANSPARENT	1						
⑤	CABLE	2C AV CABLE Cold Black	L						
④	MOLD HOOD	PVC 45P Color Red	1		DRAW No.		NAME	Audio Cable, 2XCinch Male to 2XCinch Female	
③	MOLD HOOD	PVC 45P Color White	1		CUSTOMER		MAPE	TOLERANCE	
②	CONNECTOR	RCA Female Nickel Plated	1		CUSTOMER No.	2direct GmbH		X. 1.00	X.X 0.50
①	CONNECTOR	RCA Male Nickel Plated	1						
No.	PART NAME	DESCRIPTION	QTY	REMARK				PAGE	1/2

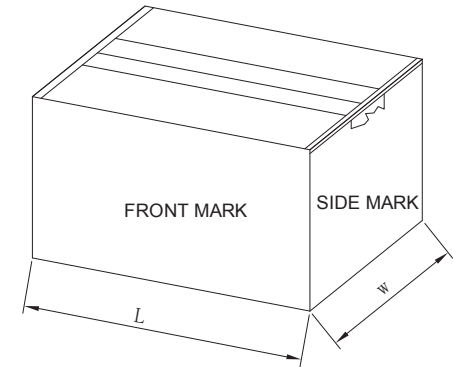
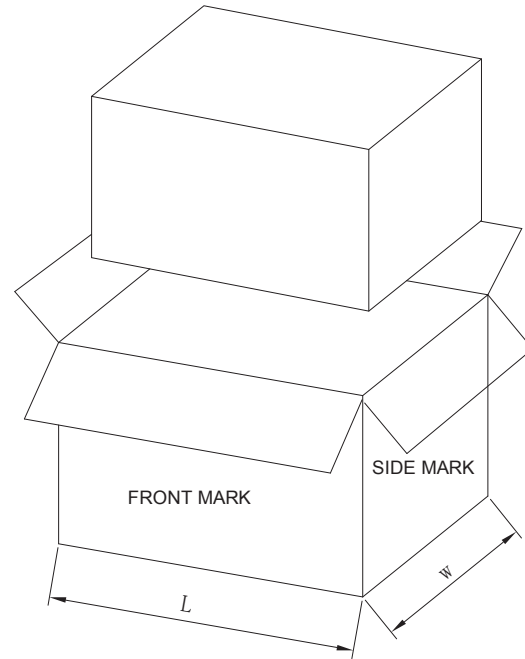
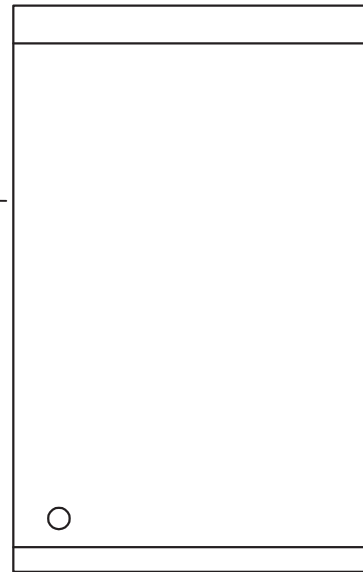
FILE AMEND NOTE	DATE	REV.
ORIGINAL EDITION	2012/10/24	A/0

PACKING DRAW



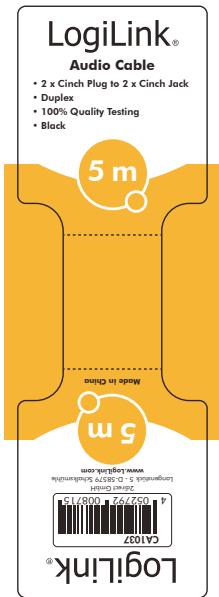
1PCS/BAG

⑥

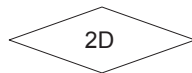


!"# shaped packaging
three packaging tape

STICKER



OUTER CARTON
FRONT MARK:



GERMANY
C/NO.:DW 01,02...
MADE IN CHINA

OUTER CARTON
SIDE MARK:

PO NO.:
ITEM NO.:
QTY: PCS
N.W: KGS
G.W: KGS
Dimension:
EAN CODE:

NOTE:

Electrical test
100% open short & miss wire test;

DRAW No.	NAME	Audio Cable, 2XCinch Male to 2XCinch Female		
CUSTOMER	2direct GmbH	MAPE	TOLERANCE	
CUSTOMER No			X.	1.00
			X.X	0.50
APPROVE BY	CHECK BY	DRAW BY	SCALE	MM
			PAGE	2/2

No.	PART NAME	DESCRIPTION	QTY	REMARK
-----	-----------	-------------	-----	--------

Pantone 1235C, Black
Size: 48x150 mm R= 2mm
材質: 80P銅版紙, 上光PP(光面)