



**HESTORE.HU**

elektronikai alkatrész áruház

**EN:** This Datasheet is presented by the manufacturer.

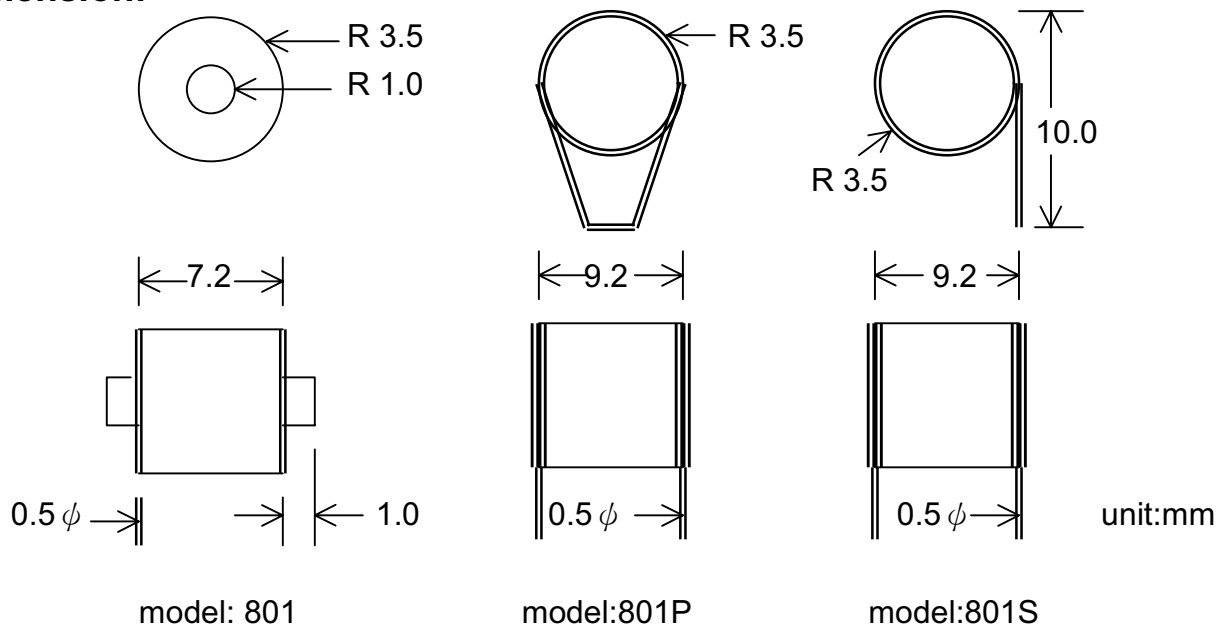
Please visit our website for pricing and availability at [www.hestore.hu](http://www.hestore.hu).

## Shock sensor 801X specification

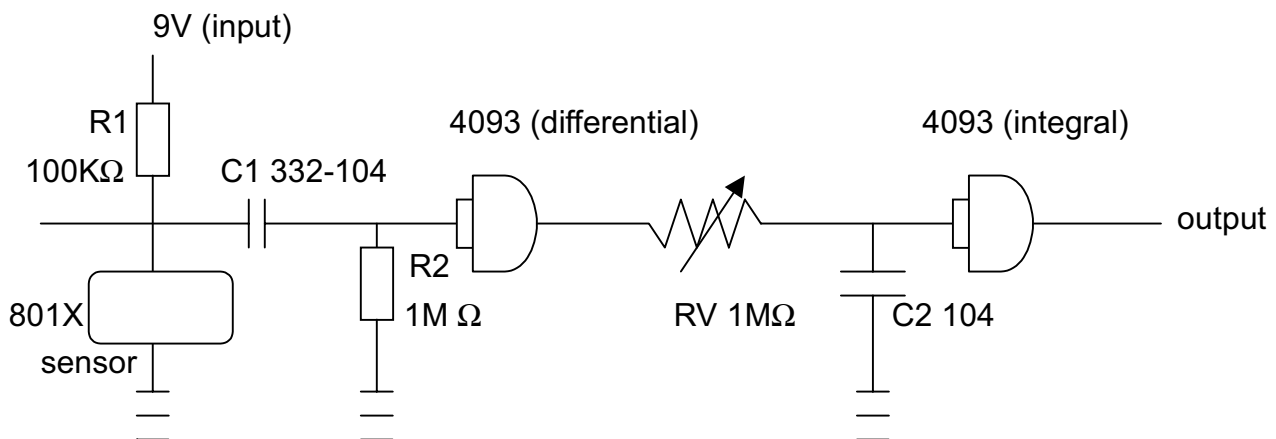
### - Features:

- Micro Shock detecting.
- Non direction limited.
- 60,000,000 times shock guarantee (special gold alloy plated)
- Low cost circuit can adjust Sensitivity.

### - Dimension:



### - Reference circuit:



### - Attention:

1. Output must become **square wave**. (Can not use as shock switch!)
2. Take low or high of output square wave into your alarm system and adjust sensitivity from the delay time length.