

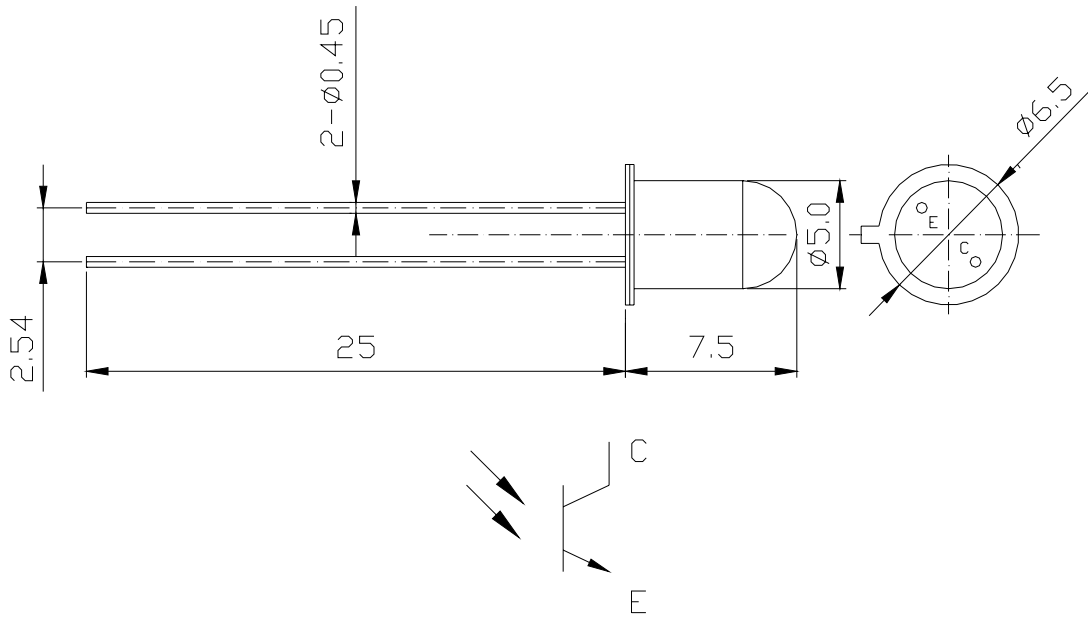


HESTORE.HU

elektronikai alkatrész áruház

EN: This Datasheet is presented by the manufacturer.

Please visit our website for pricing and availability at www.hestore.hu.



Parameter table:

(Ta=25 °)

Parameter Model	Maximum Operating voltage	Dark current	Photocurrent	Respond time		Spectrum Range	Peak Wavelength	Maximum Power consumption	Quality Grade
	$V_{(RM)CE}$ (V)	I_D (uA)	I_L (mA)	tr (us)	tf (us)	(nm)	λ_p (nm)	P_M (mw)	
3DU ₁₁	10	□ 0.15	0.5-1.0	□ 10	□ 10	400-1100	880	100	Civil goods
3DU ₁₂	30								Civil goods
3DU ₁₃	50								Civil goods
3DU ₂₁	10		1.0-2.0	□ 3	□ 4				Civil goods
3DU ₂₂	30								Civil goods
3DU ₂₃	50								Civil goods
3DU ₃₁	10		□ 2.0	□ 10	□ 10				Civil goods
3DU ₃₂	30								Military products
3DU ₃₃	50								Civil goods
Test Condition	$I_{CE} = I_D$	No light $V_{ce}=30V$	$V_{CE}=10V$ $H=1000LX$ $T=2856^0K$	$V_{CE}=10V$ $R_L=50 \square$					
Test class	JS	JS	JS	C		C	C	C	