

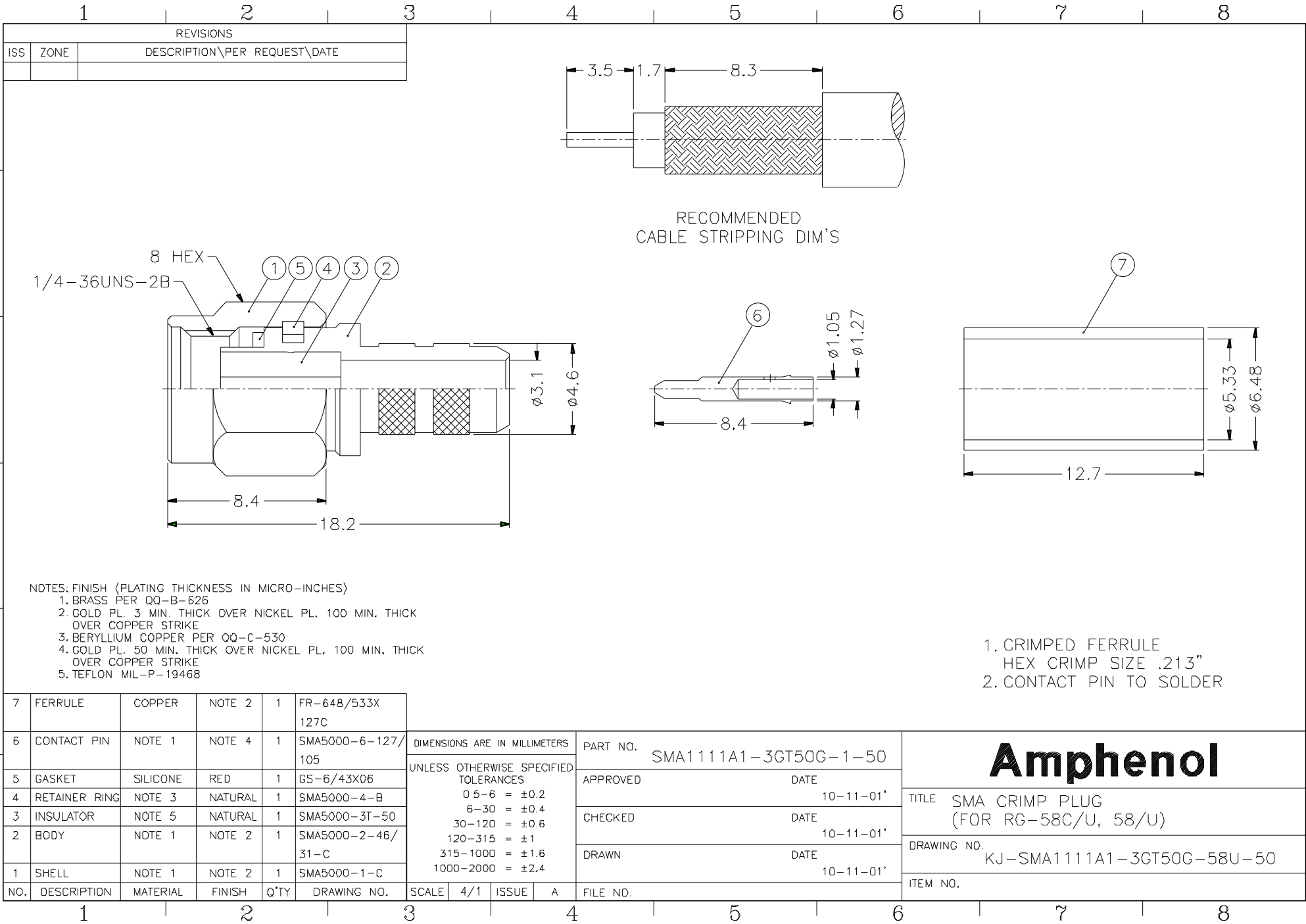


HESTORE.HU

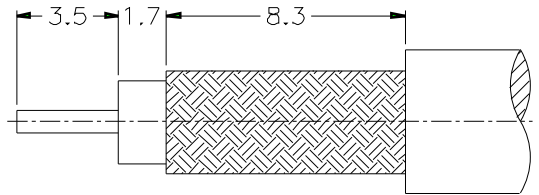
elektronikai alkatrész áruház

EN: This Datasheet is presented by the manufacturer.

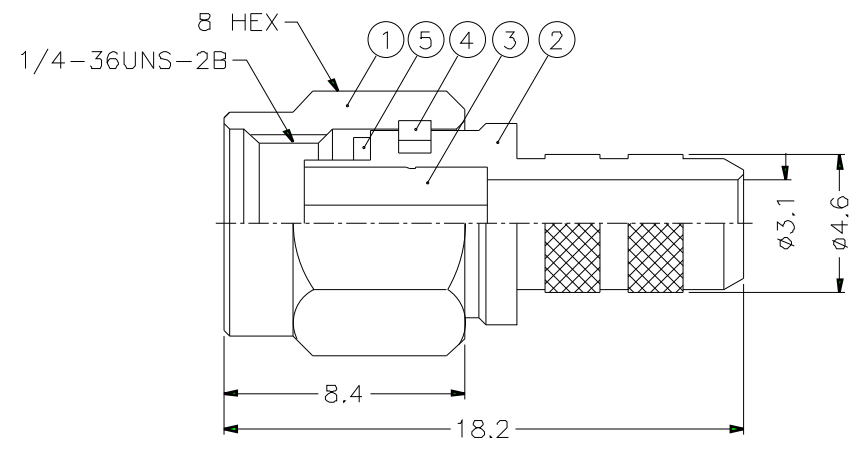
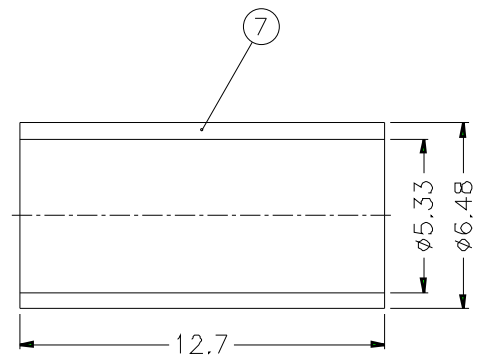
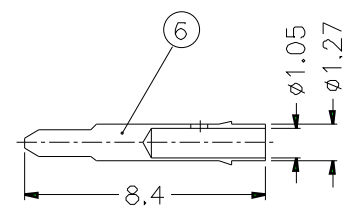
Please visit our website for pricing and availability at www.hestore.hu.



REVISIONS		
ISS	ZONE	DESCRIPTION\PER REQUEST\DATE



RECOMMENDED
CABLE STRIPPING DIM'S



- NOTES: FINISH (PLATING THICKNESS IN MICRO-INCHES)
1. BRASS PER QQ-B-626
 2. GOLD PL. 3 MIN. THICK OVER NICKEL PL. 100 MIN. THICK OVER COPPER STRIKE
 3. BERYLLIUM COPPER PER QQ-C-530
 4. GOLD PL. 50 MIN. THICK OVER NICKEL PL. 100 MIN. THICK OVER COPPER STRIKE
 5. TEFLON MIL-P-19468

1. CRIMPED FERRULE
HEX CRIMP SIZE .213"
2. CONTACT PIN TO SOLDER

NO.	DESCRIPTION	MATERIAL	FINISH	Q'TY	DRAWING NO.
7	FERRULE	COPPER	NOTE 2	1	FR-648/533X 127C
6	CONTACT PIN	NOTE 1	NOTE 4	1	SMA5000-6-127/ 105
5	GASKET	SILICONE	RED	1	GS-6/43X06
4	RETAINER RING	NOTE 3	NATURAL	1	SMA5000-4-B
3	INSULATOR	NOTE 5	NATURAL	1	SMA5000-3T-50
2	BODY	NOTE 1	NOTE 2	1	SMA5000-2-46/ 31-C
1	SHELL	NOTE 1	NOTE 2	1	SMA5000-1-C

DIMENSIONS ARE IN MILLIMETERS		
UNLESS OTHERWISE SPECIFIED TOLERANCES		
0.5-6	=	±0.2
6-30	=	±0.4
30-120	=	±0.6
120-315	=	±1
315-1000	=	±1.6
1000-2000	=	±2.4

PART NO.	SMA1111A1-3GT50G-1-50
APPROVED	DATE 10-11-01'
CHECKED	DATE 10-11-01'
DRAWN	DATE 10-11-01'
FILE NO.	DRAWING NO.

Amphenol	
TITLE SMA CRIMP PLUG (FOR RG-58C/U, 58/U)	
DRAWING NO. KJ-SMA1111A1-3GT50G-58U-50	
ITEM NO.	