

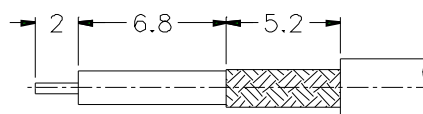
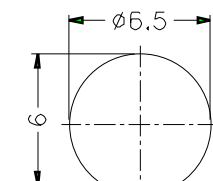
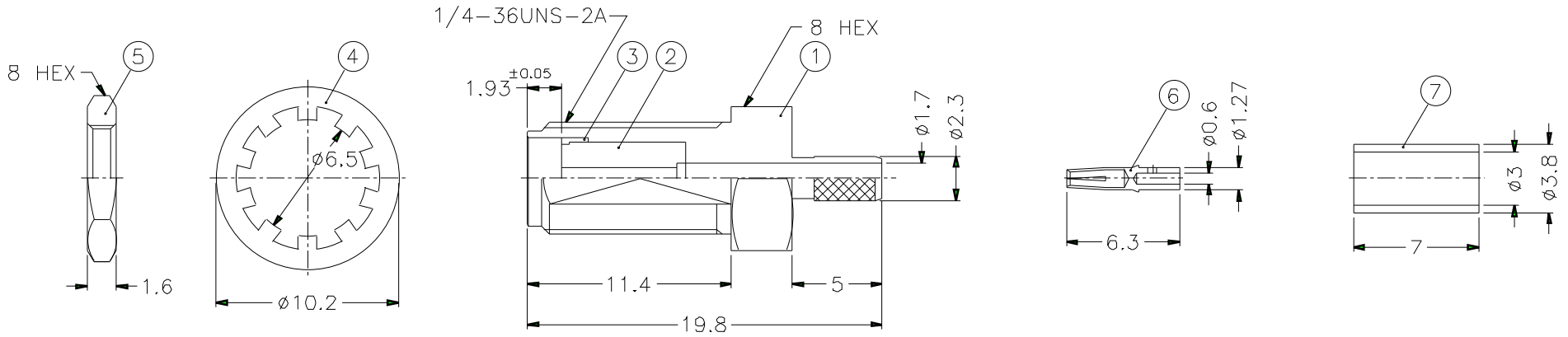


**HESTORE.HU**

elektronikai alkatrész áruház

**EN:** This Datasheet is presented by the manufacturer.

Please visit our website for pricing and availability at [www.hestore.hu](http://www.hestore.hu).

1		2		3		4		5		6		7		8			
REVISIONS																	
ISS	ZONE	DESCRIPTION\PER REQUEST\DATE															
 <p>RECOMMENDED CABLE STRIPPING DIM'S</p>  <p>RECOMMENDED MOUNTING HOLE</p>  <p>1. CRIMPED FERRULE HEX CRIMP SIZE .128" 2. CONTACT PIN TO SOLDER 3. MAX. PANEL THICKNESS=3.2mm</p> <p>NOTES: FINISH (PLATING THICKNESS IN MICRO-INCHES) 1. BRASS PER QQ-B-626 2. BRASS PER QQ-B-613 3. GOLD PL. 3 MIN. THICK OVER NICKEL PL. 100 MIN. THICK OVER COPPER STRIKE 4. BERYLLIUM COPPER PER QQ-C-530 5. GOLD PL. 50 MIN. THICK OVER NICKEL PL. 100 MIN. THICK OVER COPPER STRIKE 6. TEFLON MIL-P-19468</p>																	
8	HEAT SHRINK TUBING		BLACK	1	HT-46/4X15	DIMENSIONS ARE IN MILLIMETERS UNLESS OTHERWISE SPECIFIED TOLERANCES 0.5-6 = ±0.2 6-30 = ±0.4 30-120 = ±0.6 120-315 = ±1 315-1000 = ±1.6 1000-2000 = ±2.4				PART NO. SMA6411A4-3GT50G-5-50		<h1>Amphenol</h1>					
7	FERRULE	COPPER	NOTE 3	1	FR-38/3X7C					APPROVED						DATE 10-11-01'	
6	CONTACT PIN	NOTE 4	NOTE 5	1	SMA87051902-3					CHECKED		DATE 10-11-01'		DRAWING NO. KJ-SMA6411A4-3GT50G-316U-50			
5	HEX NUT	NOTE 1	NOTE 3	1	HN8-1/4-36X16					DRAWN		DATE 10-11-01'					
4	LOCK WASHER	NOTE 2	NOTE 3	1	LW-102/65X05					SCALE		3/1		ISSUE		A	
3	RING	NOTE 1	NOTE 3	1	SMA7071A4-4B												
2	INSULATOR	NOTE 6	NATURAL	1	SMA6411A4-2T-50												
1	BODY	NOTE 1	NOTE 3	1	SMA6411A4-1-23/17												
NO.	DESCRIPTION	MATERIAL	FINISH	Q'TY	DRAWING NO.	SCALE	3/1	ISSUE	A	FILE NO.							