



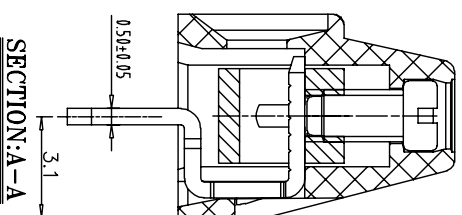
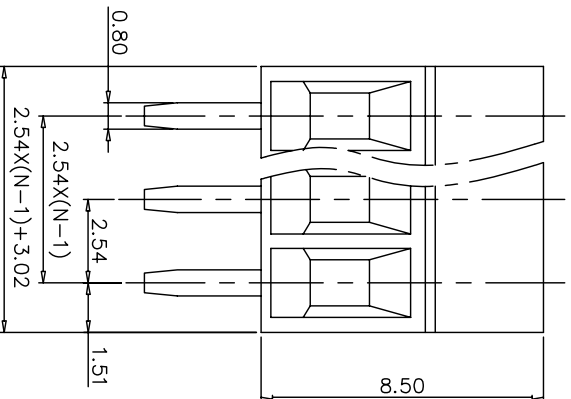
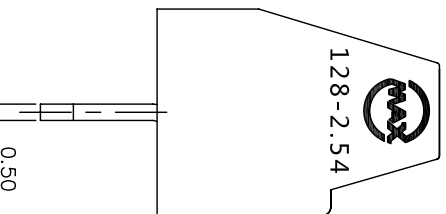
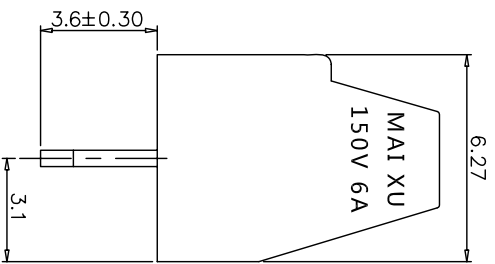
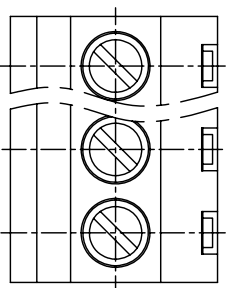
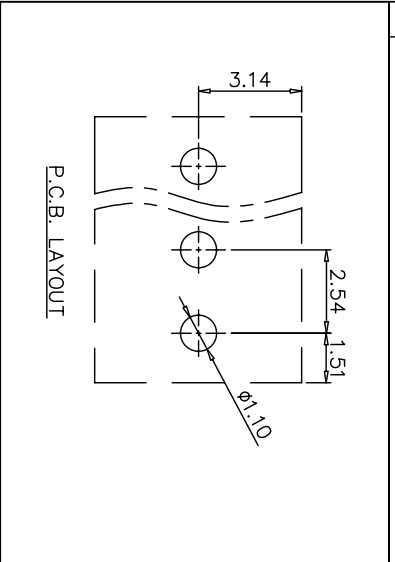
HESTORE.HU

elektronikai alkatrész áruház

EN: This Datasheet is presented by the manufacturer.

Please visit our website for pricing and availability at www.hestore.hu.

ZONE	REV	DESCRIPTION	DATE	APPROVED



- NOTES1:
 UL Standard
 1. Rated voltage/current : 150V / 6A
 2. Torque value : M1.6 , 1.29Lb.in
 3. Wire range : 26~18AWG
- IEC Standard
 1. Rated voltage/current : 130V / 8A
 2. Torque value : M1.6 , 0.15N.m
 3. Wire range : 0.5~1.0mm²
- NOTES2:
 1. Dimension shall be interpreted per ASME Y14.5-2009
 2. Pitch : 2.54mm, Poles : N=02-12P
 3. Stripping length : 4~5mm
 4. Withstanding voltage : AC1250V/1min
 5. Operating temperature : -40°C~+105°C
 6. RoHS Compliance

Total Pitch Tolerances

Nominal dimension range

over	0	30	53	70	90	115	150	250	350	500	over	0	30	53	70	90	115	150	200	250	320	over	0	10	100	150
±0.18	±0.20	±0.25	±0.3	±0.35	±0.44	±0.60	±0.70	±0.85	±0.20	±0.25	±0.30	±0.35	±0.44	±0.55	±0.70	±0.80	±0.90	0.2	0.3	0.3	0.2	0.3	0.3	0.5		



THIRD ANGLE PROJECTION

MX128-2.54-XXP-XC

CHKD:	/	SIZE	FSQM NO.	DWG NO.	REV
DRFT:	/	MM (INCH)	DO NOT SCALE DRAWING	SHEET	

MAXU 慈溪市迈旭电子有限公司
 Cixi Maixu Electronics Co., Ltd.