



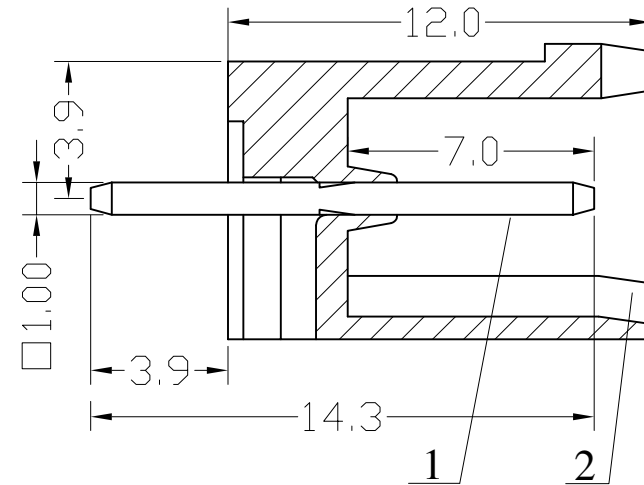
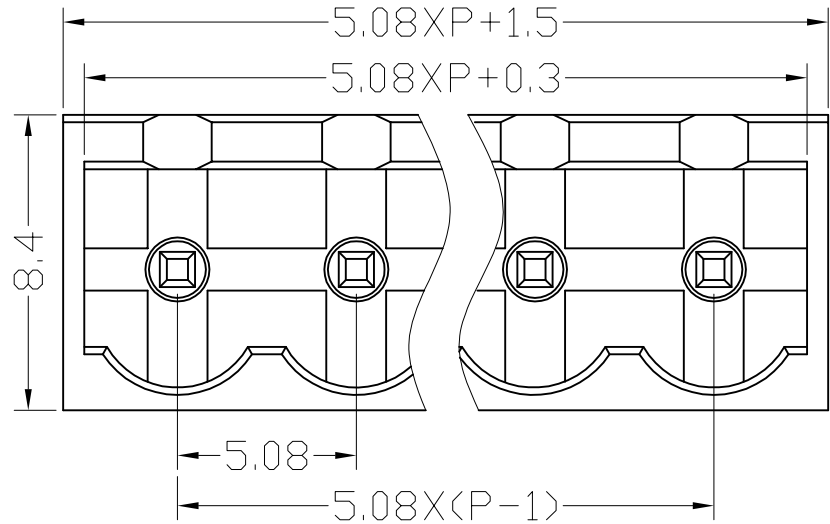
HESTORE.HU

elektronikai alkatrész áruház

EN: This Datasheet is presented by the manufacturer.

Please visit our website for pricing and availability at www.hestore.hu.

序号/RevNo.	名称/Title	文件编号/File No.
1	XY2500V 端子	QJ/XYT-2180101
2	XY2500 D塑件	QJ/XYT-2181201



300V 15A

Poles: 2-22P

Pitch: 5.08mm(.200")

Materials

Housing: PA66(UL 94V-0)

Solder Pin: Brass, Tin Plated

设计/Designed by	绘图/Drawing by	审核/Checked by	批准/Approved by	未注公差 General Tolerance	
				x. ±0.2	x.° ±2°
		图名/Title	文件编号/File No.	.x ±0.1	.x° ±1°
		XY2500VD-5.08	QJ/XYT-2281200	.xx ±0.05	.xx° ±0.5°
		产品图	页序/Sheet	.xxx ±0.01	
		备注/Remark		单位/Units: mm	

序号/RevNo.	更改记录/Revision note	签名/Signature	日期/Date
-----------	--------------------	--------------	---------

新莱亚电子
XINLAIYA ELECTRONIC CO., LTD