

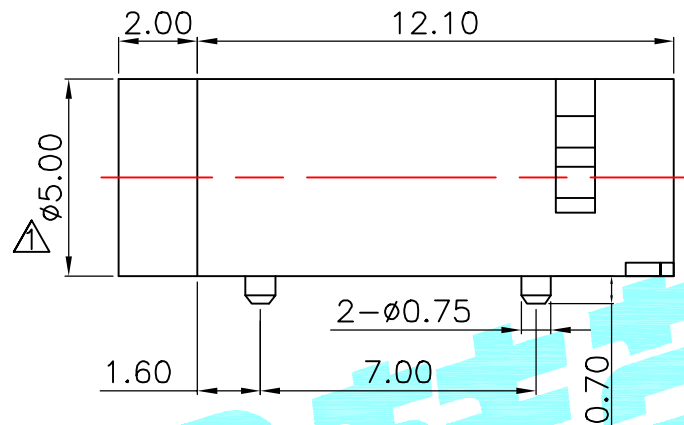
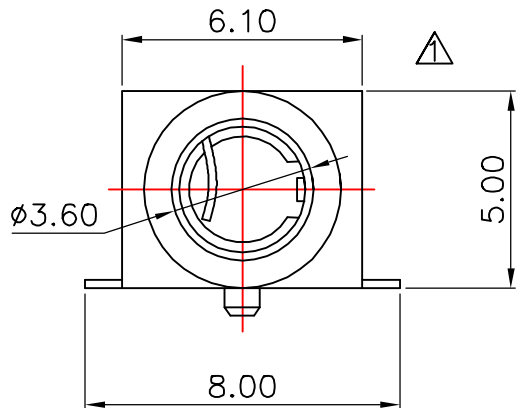


HESTORE.HU

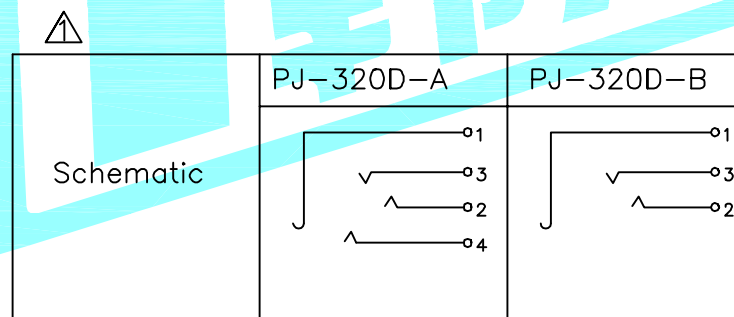
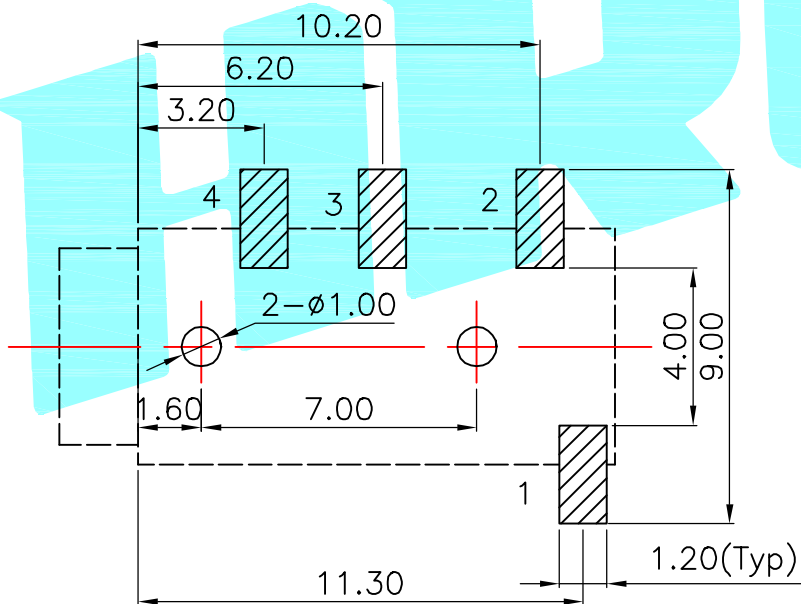
elektronikai alkatrész áruház

EN: This Datasheet is presented by the manufacturer.

Please visit our website for pricing and availability at www.hestore.hu.



P.C.B Layout (TOP view)



Rating:0.5A 30V DC
 Contact Resistance:100 mΩ Max.
 Operating temperature:-20℃~70℃
 Operating force:3-20N
 Operating Life:5,000cycles

②	Terminal	4	Phosphor bronze	Au Plating		
①	Housing	1	Nylon	Black		
ITEM	PART NAME	TER'NO.	QTY.	MATERIAL	FINISHING	REMARK
APPROVALS		DATE		 ELECTRONICS CO.,LTD		
DRAWN	J.X.Zhang	2016/5/3				
CHECKED				TITLE:	PHONE JACKES	
APPROVALS				PART NO.	PJ-320D	
TOLERANCES ARE		30~100	±0.30	ANGLE	UNIT: mm	SCALE: 1:1
		10~30	±0.20			PROJ.
		5~10	±0.15		DRAWING NO.	
		~ 5	±0.10	±2'		SHEET 1 OF 1

_____	B	_____				
_____	A	_____				
ECN NO.	REV.	DATE.	DESCRIPTION.	CHANGE.	CHECK.	APPRO.