



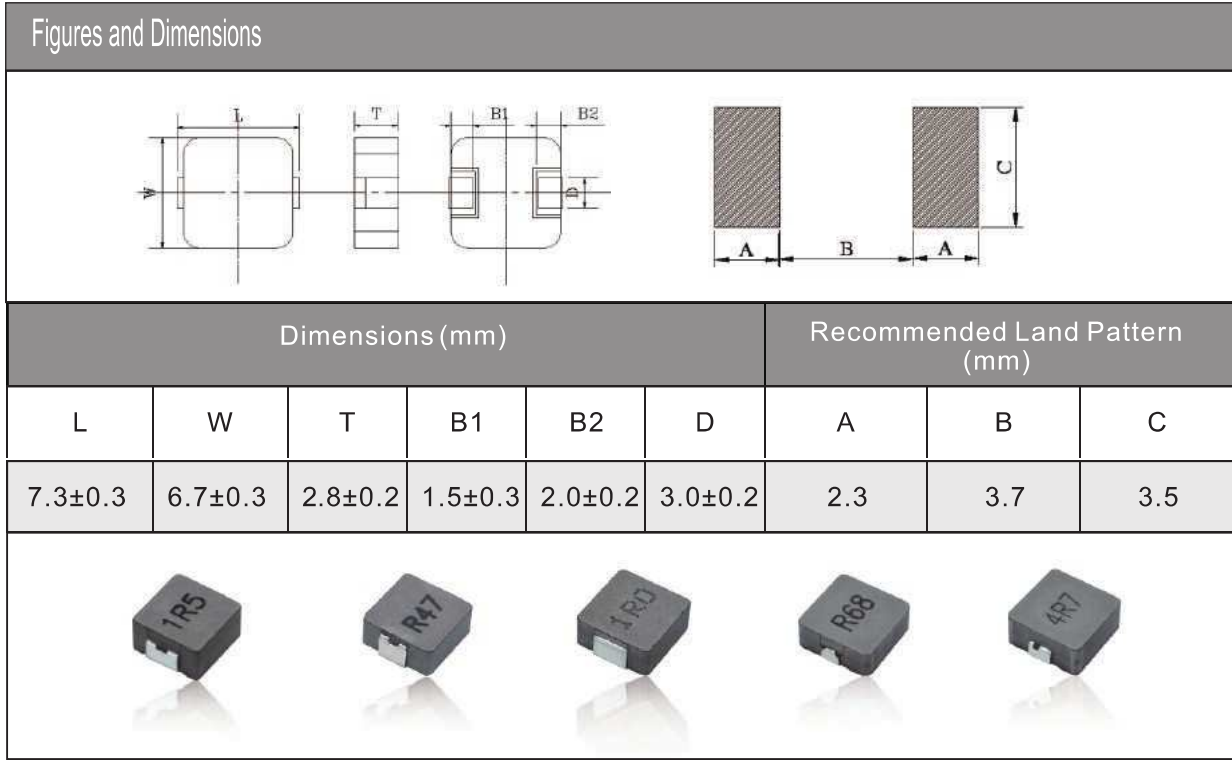
HESTORE.HU

elektronikai alkatrész áruház

EN: This Datasheet is presented by the manufacturer.

Please visit our website for pricing and availability at www.hestore.hu.

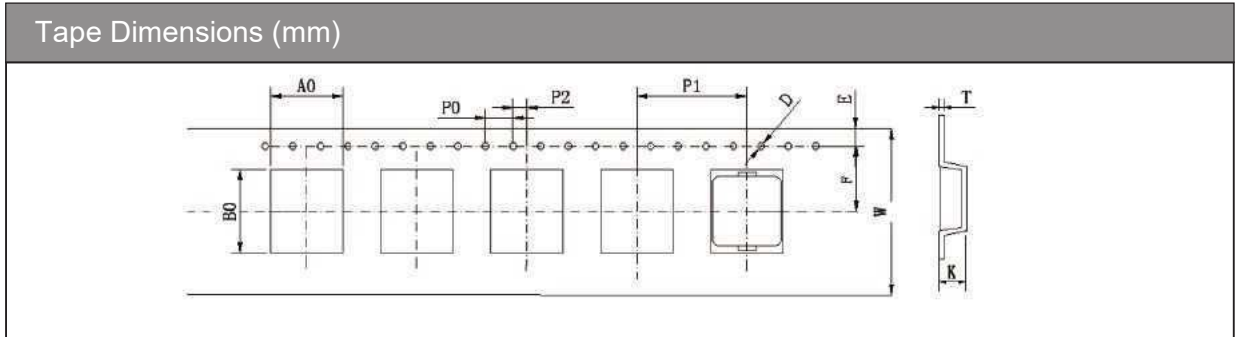
HIGH POWER INDUCTOR



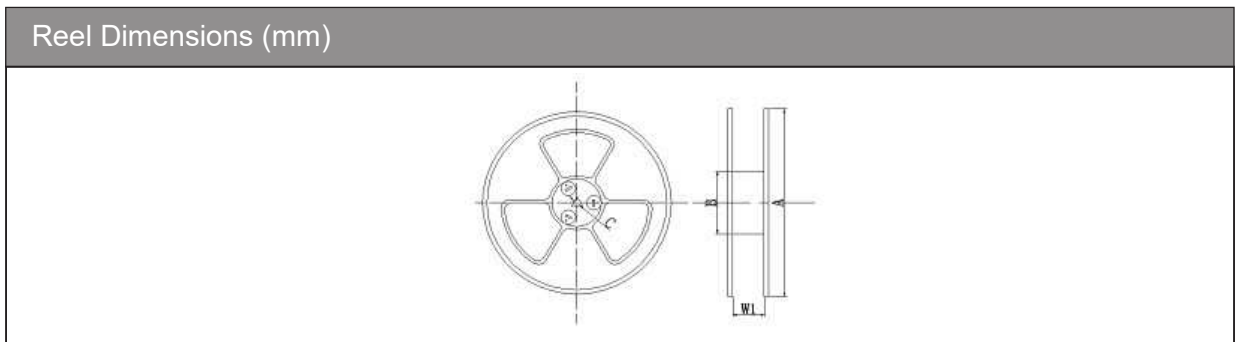
Electrical Characteristics

Part number	Inductance (μH)@0A	Tolerance	Resistance (mΩ) ±7%	Saturation current Typ.(A)	Heat rating current Typ.(A)
HPI0630-R20	0.20	±20%	1.9	24.0	20.0
HPI0630-R33	0.33	±20%	3.0	20.0	18.0
HPI0630-R47	0.47	±20%	4.0	18.0	16.0
HPI0630-R56	0.56	±20%	4.1	16.5	15.5
HPI0630-R68	0.68	±20%	5.0	15.5	12.0
HPI0630-1R0	1.00	±20%	7.0	12.5	11.5
HPI0630-1R5	1.50	±20%	11.5	10.9	9.2
HPI0630-2R2	2.20	±20%	14.0	8.2	8.0
HPI0630-3R3	3.30	±20%	25.5	7.6	6.1
HPI0630-4R7	4.70	±20%	36.0	6.3	5.0
HPI0630-6R8	6.80	±20%	53.0	4.9	4.3
HPI0630-8R2	8.20	±20%	59.5	3.8	3.6
HPI0630-100	10.0	±20%	69.5	3.6	3.6
HPI0630-150	15.0	±20%	110.0	2.9	2.7
HPI0630-220	22.0	±20%	150.0	2.5	2.3
HPI0630-330	33.0	±20%	220.0	2.2	1.8

Package



	A0	B0	W	F	E	P1	P2	P0	D	T	K
06 Series	±0.1	±0.1	±0.3	±0.1	±0.1	±0.1	±0.1	±0.1	±0.05	±0.05	±0.1
	7.0	7.8	16	7.5	1.75	12	2.0	4.0	1.5	0.4	H+0.2



	A	B	C	W1	Quality(pcs/Reel)
06 Series	330	100	13.0	16.0	1000