



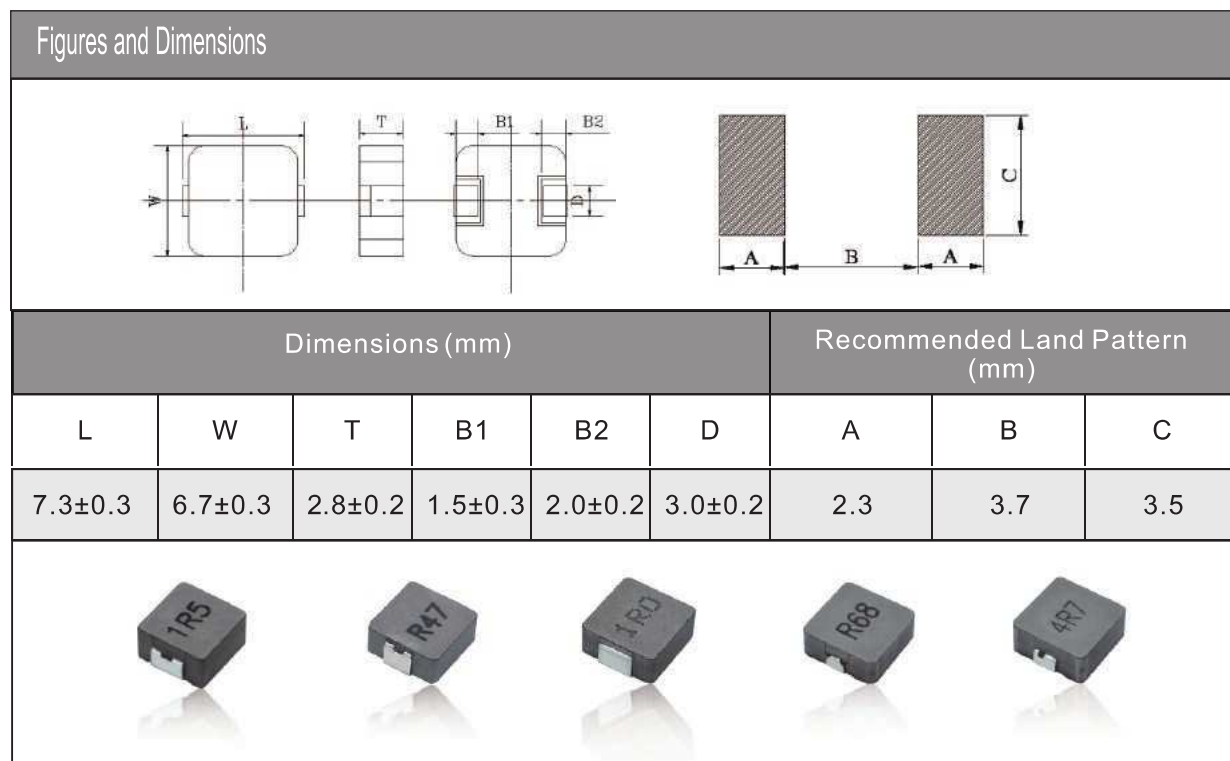
**HESTORE.HU**

elektronikai alkatrész áruház

**EN:** This Datasheet is presented by the manufacturer.

Please visit our website for pricing and availability at [www.hestore.hu](http://www.hestore.hu).

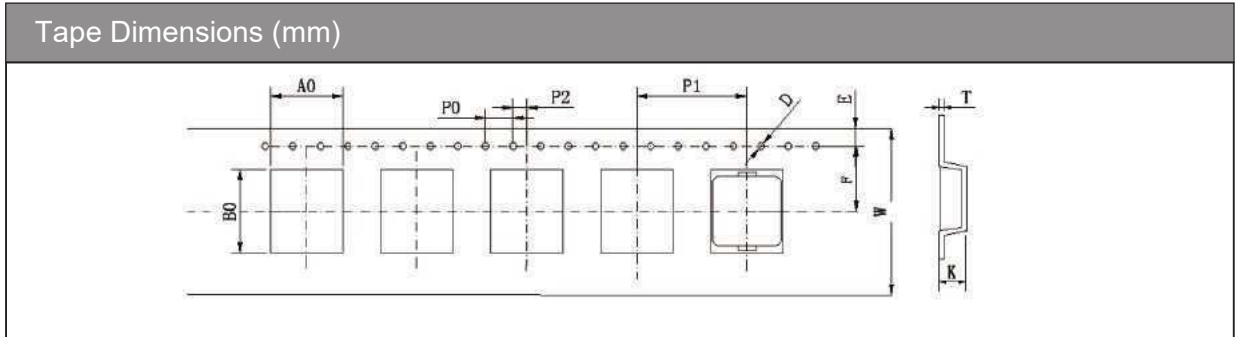
### HIGH POWER INDUCTOR



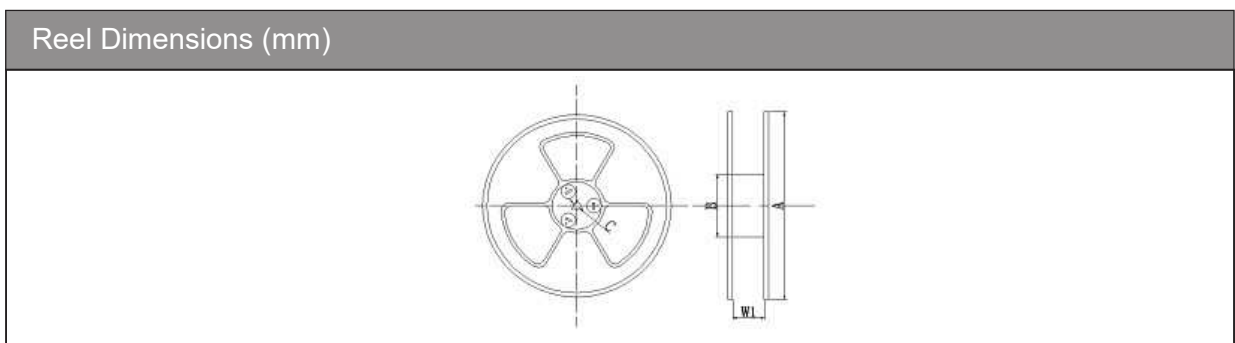
### Electrical Characteristics

| Part number | Inductance (μH)@0A | Tolerance | Resistance (mΩ) ±7% | Saturation current Typ.(A) | Heat rating current Typ.(A) |
|-------------|--------------------|-----------|---------------------|----------------------------|-----------------------------|
| HPI0630-R20 | 0.20               | ±20%      | 1.9                 | 24.0                       | 20.0                        |
| HPI0630-R33 | 0.33               | ±20%      | 3.0                 | 20.0                       | 18.0                        |
| HPI0630-R47 | 0.47               | ±20%      | 4.0                 | 18.0                       | 16.0                        |
| HPI0630-R56 | 0.56               | ±20%      | 4.1                 | 16.5                       | 15.5                        |
| HPI0630-R68 | 0.68               | ±20%      | 5.0                 | 15.5                       | 12.0                        |
| HPI0630-1R0 | 1.00               | ±20%      | 7.0                 | 12.5                       | 11.5                        |
| HPI0630-1R5 | 1.50               | ±20%      | 11.5                | 10.9                       | 9.2                         |
| HPI0630-2R2 | 2.20               | ±20%      | 14.0                | 8.2                        | 8.0                         |
| HPI0630-3R3 | 3.30               | ±20%      | 25.5                | 7.6                        | 6.1                         |
| HPI0630-4R7 | 4.70               | ±20%      | 36.0                | 6.3                        | 5.0                         |
| HPI0630-6R8 | 6.80               | ±20%      | 53.0                | 4.9                        | 4.3                         |
| HPI0630-8R2 | 8.20               | ±20%      | 59.5                | 3.8                        | 3.6                         |
| HPI0630-100 | 10.0               | ±20%      | 69.5                | 3.6                        | 3.6                         |
| HPI0630-150 | 15.0               | ±20%      | 110.0               | 2.9                        | 2.7                         |
| HPI0630-220 | 22.0               | ±20%      | 150.0               | 2.5                        | 2.3                         |
| HPI0630-330 | 33.0               | ±20%      | 220.0               | 2.2                        | 1.8                         |

## Package



|           | A0   | B0   | W    | F    | E    | P1   | P2   | P0   | D     | T     | K     |
|-----------|------|------|------|------|------|------|------|------|-------|-------|-------|
| 06 Series | ±0.1 | ±0.1 | ±0.3 | ±0.1 | ±0.1 | ±0.1 | ±0.1 | ±0.1 | ±0.05 | ±0.05 | ±0.1  |
|           | 7.0  | 7.8  | 16   | 7.5  | 1.75 | 12   | 2.0  | 4.0  | 1.5   | 0.4   | H+0.2 |



|           | A   | B   | C    | W1   | Quality(pcs/Reel) |
|-----------|-----|-----|------|------|-------------------|
| 06 Series | 330 | 100 | 13.0 | 16.0 | 1000              |