



HESTORE.HU

elektronikai alkatrész áruház

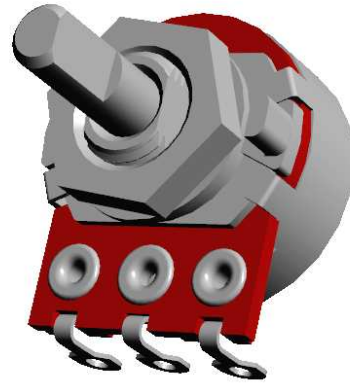
EN: This Datasheet is presented by the manufacturer.

Please visit our website for pricing and availability at www.hestore.hu.

PR-16 series

Characteristic

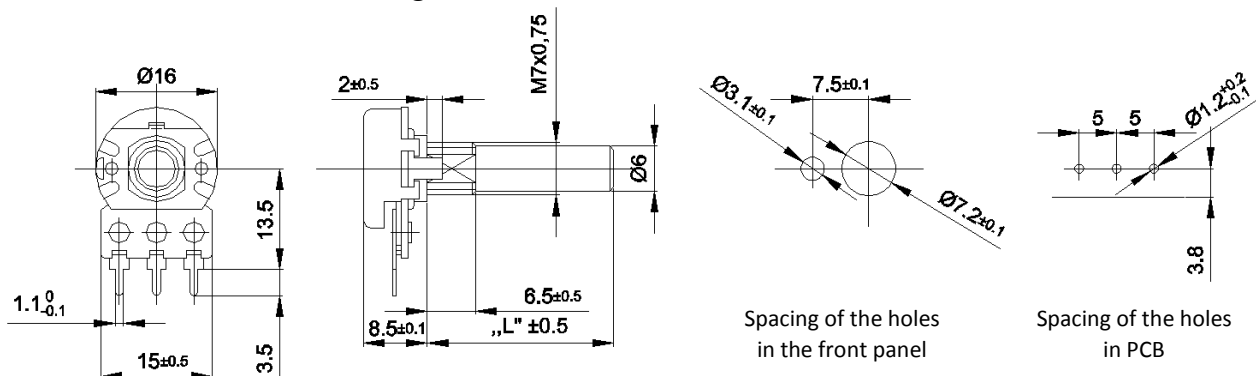
PR-16 series single turn potentiometers are enclosed in a metal housing, with carbon resistive element. Potentiometers have a linear characteristic of regulation, and are made in one of four versions, which differ in the type of terminals, for PCB and wire soldering. PR-16 series potentiometers may be equipped in a single, or multiple mechanical stop (1 or 41 positions). Potentiometers with 5% and 10% resistance tolerance are available on request.



<u>Parameter</u>		<u>Value</u>
Nominal resistance		E3 series
Range of available resistances		470Ω ... 2,2MΩ
Resistance tolerance	$R \leq 220 \text{ k}\Omega$	$\pm 20\%$
	$R > 220 \text{ k}\Omega$	$\pm 30\%$
Max. dissipation power (T = 40°C)		0,1 W
Max. operating voltage		160 V
Breakdown voltage		250 V
Mechanical rotation angle		300° ±10°
Climatic category		25/070/10

Dimensions

PRP ... // version with straight terminals for PCB



TELPOD S.A.

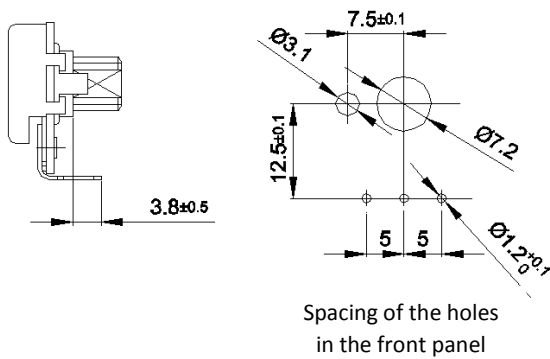
str. Pilsudskiego 63A
32-050 Skawina
www.telpod.pl

Technical division: +48 (0)12 257 10 12
Sales division: +48 (0)12 257 10 35
fax: +48 (0)12 257 10 13
e-mail: potentiometer@telpod.pl

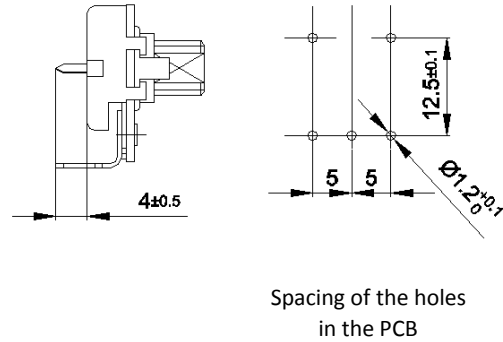
date: 04 / 2015
Copyright 2015 by Telpod

PR-16 series

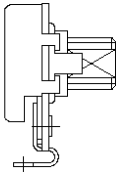
PRPC ... // version with terminals for PCB bent toward the shaft



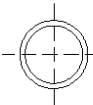
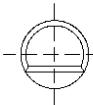
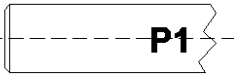
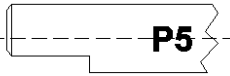
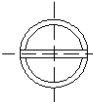
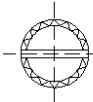
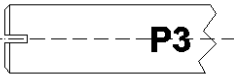
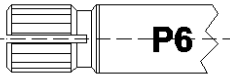
PRP...P // version with terminals for PCB bent toward the body



PR ... // version with ring terminals for wire soldering



Shaft types

Type	Length L [mm]		
P1	16; 20; 25; 32		
P3	7; 12,5		
P5	16; 20; 25; 32		
P6	16; 20; 25; 32		

TELPOD S.A.

str. Pilsudskiego 63A
32-050 Skawina
www.telpod.pl

Technical division: +48 (0)12 257 10 12
Sales division: +48 (0)12 257 10 35
fax: +48 (0)12 257 10 13
e-mail: potentiometer@telpod.pl

date: 04 / 2015
Copyright 2015 by Telpod