

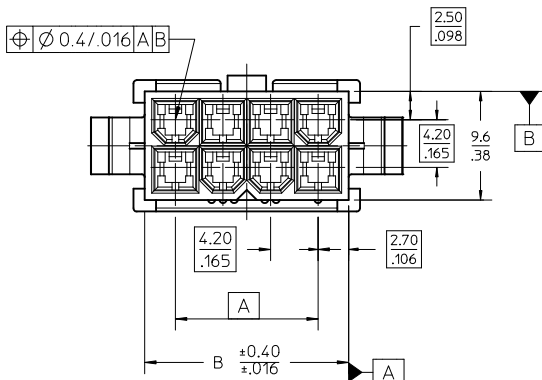
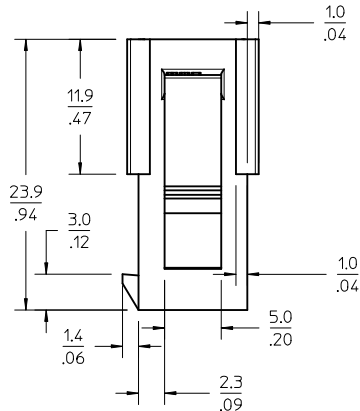
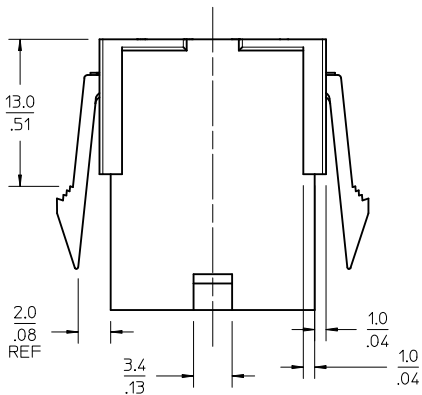
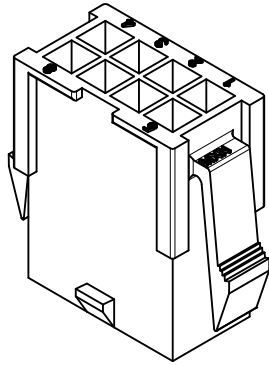
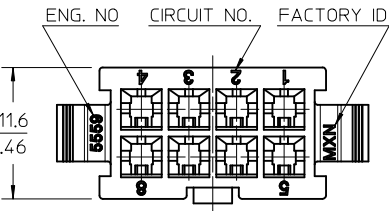


HESTORE.HU

elektronikai alkatrész áruház

EN: This Datasheet is presented by the manufacturer.

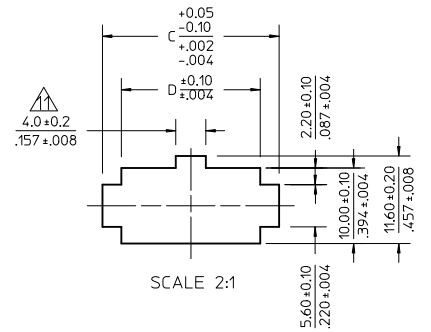
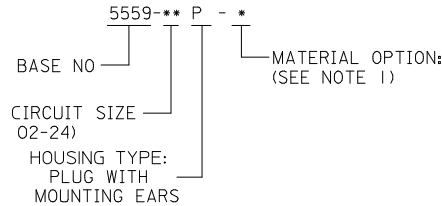
Please visit our website for pricing and availability at www.hestore.hu.



NOTES:

- 1) MATERIAL:
 - *BLANK* = NYLON 6/6, 94V-2, COLOR: NATURAL.
 - *BL* = NYLON 6/6, 94V-2, COLOR: BLACK.
 - *BU* = NYLON 6/6, 94V-2, COLOR: BLUE.
 - *RE* = NYLON 6/6, 94V-2, COLOR: RED.
 - *Z10* = NYLON 6/6, 94V-0, COLOR: NATURAL.
 - 2) FINISH: NOT APPLICABLE
 - 3) PRODUCT SPECIFICATION: PS-5556-001
 - 4) PACKAGING: BULK
 - 5) PART MATES WITH MOLEX RECEPTACLE #5557.
 - 6) PART IS TO BE USED WITH MOLEX MALE TERMINAL #5558.
 - 7) PART IS NOT DESIGNED FOR CURRENT SHARING.
 - 8) CONNECTORS ARE NOT TO BE MATED OR UNMATED WHILE CIRCUITS ARE LIVE.
 - 9) WIRES ARE TO BE DRESSED IN SUCH A MANNER TO ALLOW THE TERMINALS TO FLOAT FREELY IN THE POCKET.
 - 10) PART CONFORMS TO CLASS "B" REQUIREMENTS OF COSMETIC SPECIFICATION PS-45499-002 WITH THE EXCEPTION OF DISCOLORATION, FLASH AND SINK MEET CLASS "C" REQUIREMENTS.
- ON 2 CIRCUITS PARTS THIS DIMENSION IS ALLOWABLE UP TO "D" DIMENSION.
 PANEL HOLE TO BE PUNCHED OUT IN THE SAME DIRECTION AS INSERTION INTO THE PANEL.

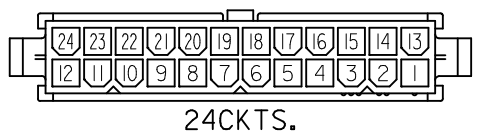
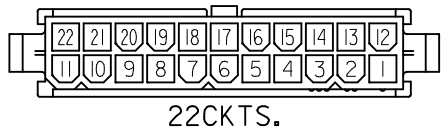
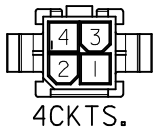
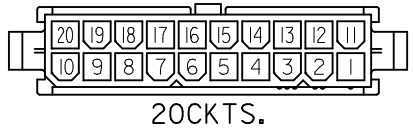
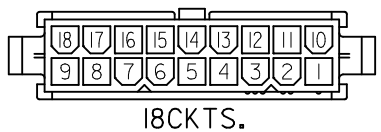
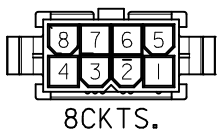
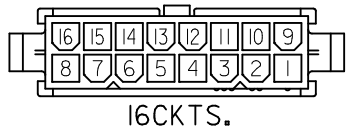
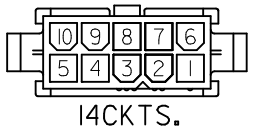
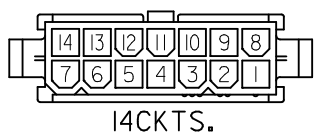
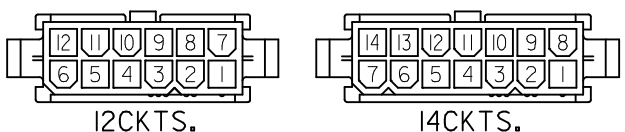
LEGEND



RECOMMENDED PANEL HOLE DIMENSIONS
(THICKNESS : 0.8-2.0/.032-.079)

52.1/2.051	57.0/2.244	51.6/2.031	46.2/1.819	24
47.9/1.886	52.8/2.079	47.4/1.866	42.0/1.654	22
43.7/1.720	48.6/1.913	43.2/1.701	37.8/1.488	20
39.5/1.555	44.4/1.748	39.0/1.535	33.6/1.323	18
35.3/1.390	40.2/1.583	34.8/1.370	29.4/1.158	16
31.1/1.224	36.0/1.417	30.6/1.205	25.2/992	14
26.8/1.055	31.8/1.252	26.4/1.039	21.0/.827	12
22.6/.890	27.6/1.087	22.2/.874	16.8/.661	10
18.4/.724	23.4/.921	18.0/.709	12.6/.496	8
14.2/.559	19.2/.756	13.8/.543	8.4/.331	6
10.0/.394	15.0/.591	9.6/.378	4.2/.165	4
5.8/.228	10.8/.425	5.4/.213	---	2
	D	C	B	A

REMOVED -04P-RE EC NO: UCP2010-2477 DRWNG: JAGUILAR 2010/04/09 CHKD: JBELL 2010/08/26 APPR: FSMITH 2010/08/27	QUALITY SYMBOLS 	GENERAL TOLERANCES (UNLESS SPECIFIED)		DIMENSION STYLE		SCALE	DESIGN UNITS	THIRD ANGLE PROJECTION		
				MM/IN		3:1	METRIC			
				mm	INCH	DRAWN BY DATE			TITLE	
				4 PLACES ± ---	± ---	H. HIRAMOTO	1988/10/14		NEW MINI. FIT CONNECTOR CRIMP PIN HOUSING	
J1 REV	DESCRIPTION REV			CHECKED BY DATE						
				Y. YAMADA 1988/10/21						
				APPROVED BY DATE						
				M. ENOMOTO 1988/10/24						
		ANGULAR ± 3°		MATERIAL NO.		DOCUMENT NO.				
		DRAFT WHERE APPLICABLE MUST REMAIN WITHIN DIMENSIONS		SEE CHART		SD-5559-NP				
				SIZE C		THIS DRAWING CONTAINS INFORMATION THAT IS PROPRIETARY TO MOLEX INCORPORATED AND SHOULD NOT BE USED WITHOUT WRITTEN PERMISSION				



CIRCUIT SIZE LAYOUT (SCALE : 2-1)

V-2 BLACK		V-2 BLUE		V-2 RED		V-0 NATURAL		V-2 NATURAL				
EDP NO.	ENG. NO.	CIRCUIT	EDP NO.	ENG. NO.	CIRCUIT	EDP NO.	ENG. NO.	CIRCUIT	EDP NO.	ENG. NO.	CIRCUIT	
			24			24	39-01-2246	5559-24P-210	24	39-01-2241	5559-24P	24
			22			22	↑ -2226	↑ -22P-210	22	↑ -2221	↑ -22P	22
			20			20	↑ -2206	↑ -20P-210	20	↑ -2201	↑ -20P	20
			18			18	↑ -2186	↑ -18P-210	18	↑ -2181	↑ -18P	18
			16			16	↑ -2166	↑ -16P-210	16	↑ -2161	↑ -16P	16
			14			14	↑ -2146	↑ -14P-210	14	↑ -2141	↑ -14P	14
			2			2	↑ -2126	↑ -12P-210	2	↑ -2121	↑ -12P	2
			10			10	↑ -2106	↑ -10P-210	10	↑ -2101	↑ -10P	10
			8			8	↑ -2086	↑ -08P-210	8	↑ -2081	↑ -08P	8
			6			6	↑ -2066	↑ -06P-210	6	↑ -2061	↑ -06P	6
39-02-8065	5569-06P-BL		4			4	↓ -2046	↓ -04P-210	4	↓ -2041	↓ -04P	4
39-02-8045	5569-04P-BL		2			2	39-01-2026	5559-02P-210	2	39-01-2021	5559-02P	2
39-02-8046	5569-04P-BU	39-02-8067	5559-06P-RE			6	↓ -2066	↓ -06P-210	6	↓ -2061	↓ -06P	6
			4			4	↓ -2046	↓ -04P-210	4	↓ -2041	↓ -04P	4
			2			2	39-01-2026	5559-02P-210	2	39-01-2021	5559-02P	2

DESCRIPTION	QUALITY SYMBOLS	GENERAL TOLERANCES (UNLESS SPECIFIED)		DRAWN BY	DATE	SCALE	DESIGN UNITS	THIRD ANGLE PROJECTION
		mm	INCH					
SEE SHEET 1	▽=0	4 PLACES ± .005	± .005	H. HIRAMOTO	1988/10/14	2:1	METRIC	NEW MINI. FIT CONNECTOR CRIMP PIN HOUSING
EC NO: UCP2010-2477	▽=0	3 PLACES ± .012	± .012	CHECKED BY	DATE			
DRWN: JAGUILAR 2010/04/09	▽=0	2 PLACES ± .016	± .016	Y. YAMADA	1988/10/21			
CHKD: J. BELL 2010/08/26		1 PLACE ± .40	± .40	APPROVED BY	DATE			MOLEX INCORPORATED
APPR: FSMITH 2010/08/27		ANGULAR ± 3°		M. ENOMOTO	1988/10/24			
		DRAFT WHERE APPLICABLE MUST REMAIN WITHIN DIMENSIONS		SEE CHART		DOCUMENT NO.		SD-5559-NP
J1	REV			SIZE C		THIS DRAWING CONTAINS INFORMATION THAT IS PROPRIETARY TO MOLEX INCORPORATED AND SHOULD NOT BE USED WITHOUT WRITTEN PERMISSION		SHEET NO. 2 OF 2