



HESTORE.HU

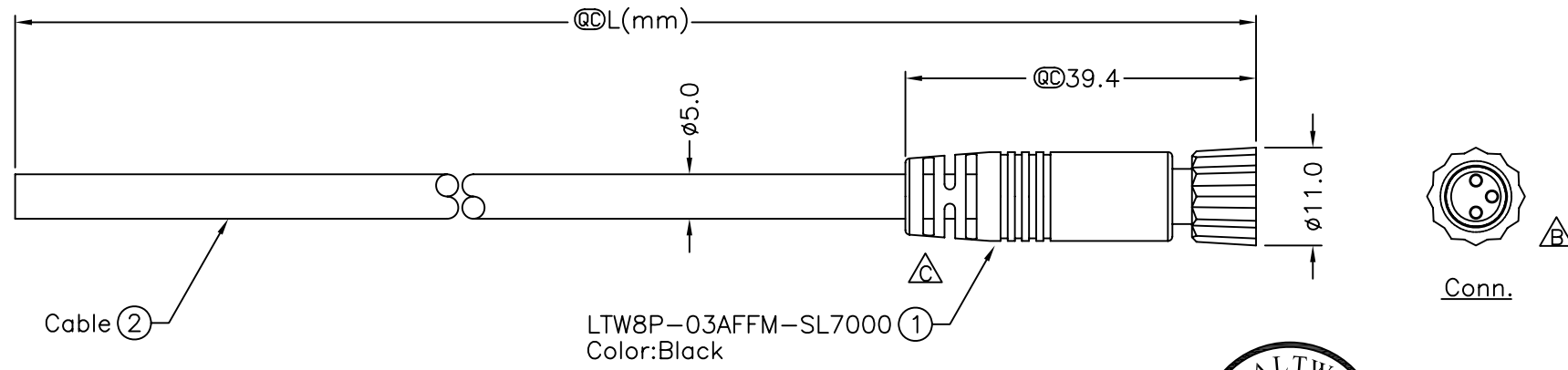
elektronikai alkatrész áruház

EN: This Datasheet is presented by the manufacturer.

Please visit our website for pricing and availability at www.hestore.hu.

REV.	ECN NO.	DATE	SIGN	DESCRIPTION
B	LEN-920472~475	2009/02/19	Vicky	Update the drawing.
C	LEN11A0103~106	2011/09/19	Jiang Jun Hua	Change SR View

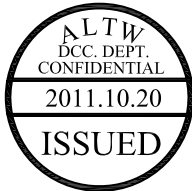
THIS DOCUMENT IS SUBJECT TO CHANGE WITHOUT NOTICE. IT IS CONFIDENTIAL AND A PROPERTY OF Amphenol LTW. DISCLOSURE TO THIRD PARTY HAS TO BE AUTHORIZED BY Amphenol LTW.



LTW8P-03AFFM-SL7000
Color:Black

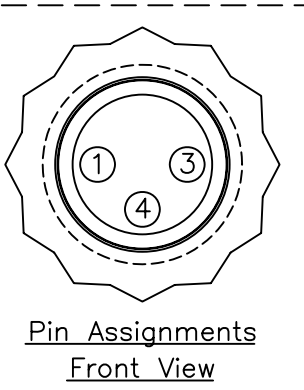
LTW8P-03AFFM-SL7AXX

XX:01~99Meters
01:01Meter
02:02Meters
:
:
99:99Meters
Cable Length(L):01~99Meters



Notes:

- * @C Important Dimension.
- * Waterproof Rate:IP67.
- * Connector:Black,PU.
- * Female Pin:Copper Alloy,Gold Plated.
- * Cable:UL2464 22AWG*3C+Talcum,Black, PVC Jacket,UV Resistant,OD=5.0mm.
- * Cable Length Tolerance:
 - 01M:±40mm
 - 02M~05M:±60mm
 - 06M~10M:±100mm
 - 11M~30M:±200mm
 - 31M~99M:±500mm



4	Black	黑
3	Blue	藍
1	Brown	棕
Conn.	Wire Color	
Pin Out		

UNIT:mm	
TOLERANCE	
±0.5 mm	

TITLE	M8 Conn Cable Screw 3P F Conn F Pin		
SCALE	Free	SHEET	1 OF 1
REV.	C	SIZE	A4
@C :Inspection Item			

Amphenol LTW
安費諾亮泰企業股份有限公司

ITEM NO	DRAWN BY	DATE
	Jiang Jun Hua	2011/09/19
DWG NO	CHECKED BY	DATE
LTW8P-03AFFM-SL7AXX	Huangrongfang	2011/10/06
CUSTOMER	APPROVED BY	DATE
ALTW	Luke	2011/10/07