



HESTORE.HU

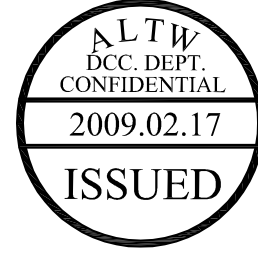
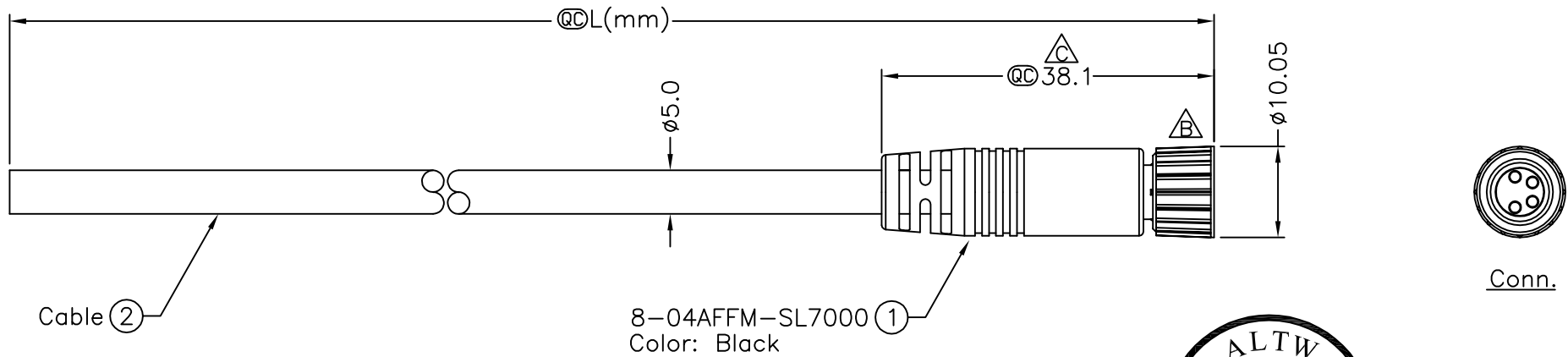
elektronikai alkatrész áruház

EN: This Datasheet is presented by the manufacturer.

Please visit our website for pricing and availability at www.hestore.hu.

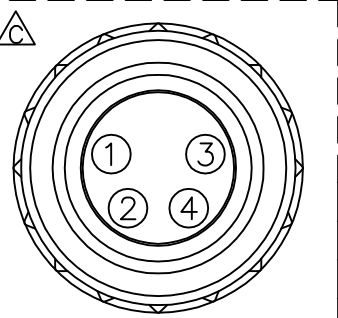
| | | | | |
|------|----------------|------------|-------|--|
| REV. | ECN NO. | DATE | SIGN | DESCRIPTION |
| B | LEN-710104~106 | 2007/01/12 | Cloud | Change Nut BAB0040NI00 To BEA00010016. |
| C | LEN-920222~225 | 2009/02/06 | Vicky | Update the drawing. |

THIS DOCUMENT IS SUBJECT TO CHANGE WITHOUT NOTICE. IT IS CONFIDENTIAL AND A PROPERTY OF Amphenol LTW. DISCLOSURE TO THIRD PARTY HAS TO BE AUTHORIZED BY Amphenol LTW.



8-04AFFM-SL7AXX
 XX:01~99Meters
 01:01Meter
 02:02Meters
 :
 :
 99:99Meters
 Cable Length(L):01~99Meters

- Notes:
- * @C Important Dimension.
 - * Waterproof Rate:IP67.
 - * Connector:Black,PU.
 - * Female Pin:Copper Alloy,Gold Plated.
 - * Cable:UL2464 22AWG*4C+Talcum,Black, PVC Jacket,UV Resistant,OD=5.0mm.
 - * Cable Length Tolerance: 01M:±40mm
 02M~05M:±60mm
 06M~10M:±100mm
 11M~30M:±200mm
 31M~99M:±500mm



| | | |
|-------|------------|---|
| 4 | Black | 黑 |
| 3 | Blue | 藍 |
| 2 | White | 白 |
| 1 | Brown | 棕 |
| Conn. | Wire Color | |
| | Pin Out | |

| | |
|-----------|---------|
| UNIT:mm | |
| TOLERANCE | ±0.5 mm |

| | | |
|--------|--|---------------------|
| TITLE | M8 Conn Cable Screw 4P F Conn F Pin | |
| SCALE | Free | SHEET 1 OF 1 |
| REV. C | SIZE A4 | @C :Inspection Item |

Amphenol LTW
 安費諾亮泰企業股份有限公司

| | | |
|------------------------|------------------|-----------------|
| ITEM NO | DRAWN BY Vicky | DATE 2009/02/06 |
| DWG NO 8-04AFFM-SL7AXX | CHECKED BY Ivan | DATE 2009/02/06 |
| CUSTOMER ALTW | APPROVED BY Luke | DATE 2009/02/06 |