



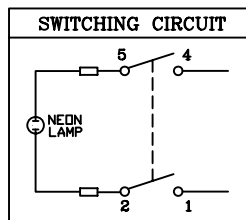
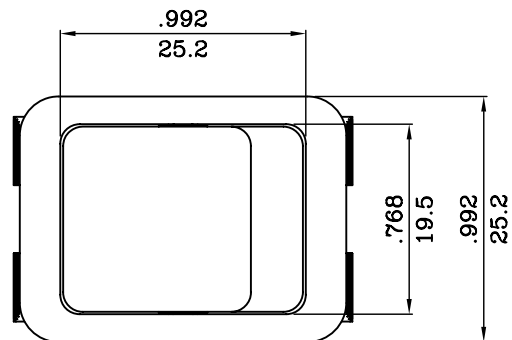
HESTORE.HU

elektronikai alkatrész áruház

EN: This Datasheet is presented by the manufacturer.

Please visit our website for pricing and availability at www.hestore.hu.

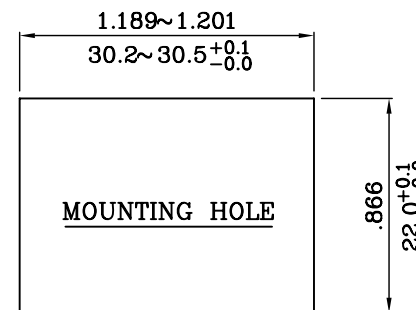
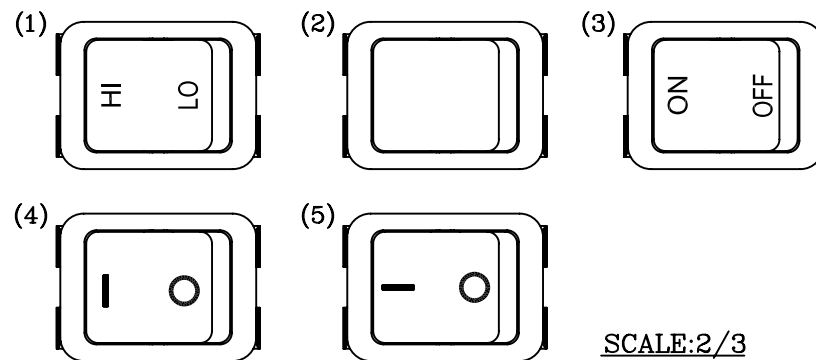
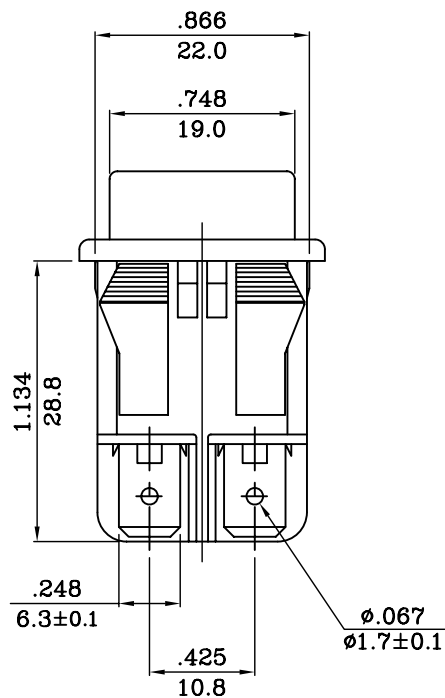
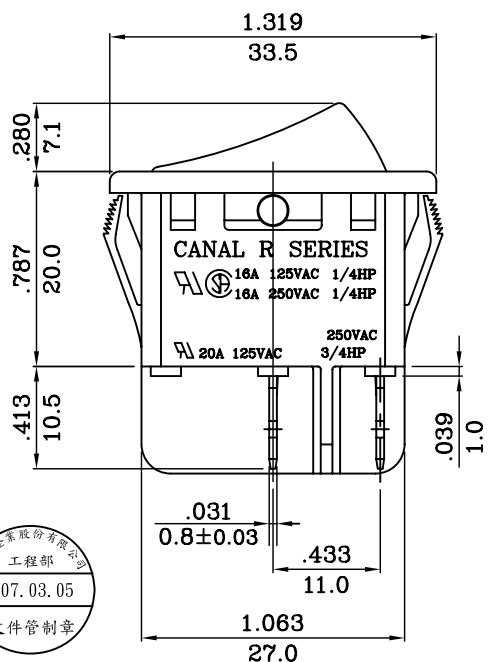
嘉尼企業股份有限公司 CANAL ELECTRONIC CO., LTD.



ROCKER SWITCH MODEL: R SERIES

RATING:(1) 16A 125VAC 1/4HP(UL/CSA)
 (2) 16A 250VAC 1/4HP (UL/CSA)
 (3) 20A 125VAC 3/4HP 250VAC (UL)
 (4) 16(4)A 250V~T125 (1E4) (VDE/SEMKO/DEMKO)
 (5) 10(2)A 250V~T125 (5E4) NEMKO/FIMKO/SEV/CQC)
 (6) 16(8)A 250V~T125(VDE/ENEC)

DIELECTRIC WITHSTAND VOLTAGE: 1000VAC 1 MIN
 INSULATION RESISTANCE:100MΩ (MIN)
 CONTACT RESISTANCE:20mΩ (MAX.)
 ILLUMINATED:200~250VAC



NOTE: 1. TOLERANCES UNLESS OTHERWISE SPECIFIED:± $\frac{.012}{0.3}$ (in/mm)
 2. IT IS IN COMPLIANCE WITH CANAL ROHS SPECIFICATION:WI-QA-24



REVISION	DESCRIPTION	REVISED BY	TOLERANCES		ANGLE	SYMBOLS	UNIT	mm	PART NAME	DWG NO
△			DRAWN BY	楊紹才	DESIGNED BY	楊紹才	SCALE	5:4	R SPEC DRAWING	S1729A
△			CHECKED BY	<i>[Signature]</i>	APPROVED BY	<i>[Signature]</i>	DATE	2007.01.29		
△	2007.01.29 新增規格, 首次出圖	楊紹才					PART NO	R210-1-C*G-***		