



HESTORE.HU

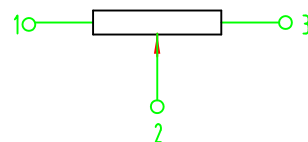
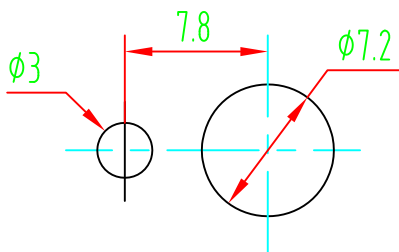
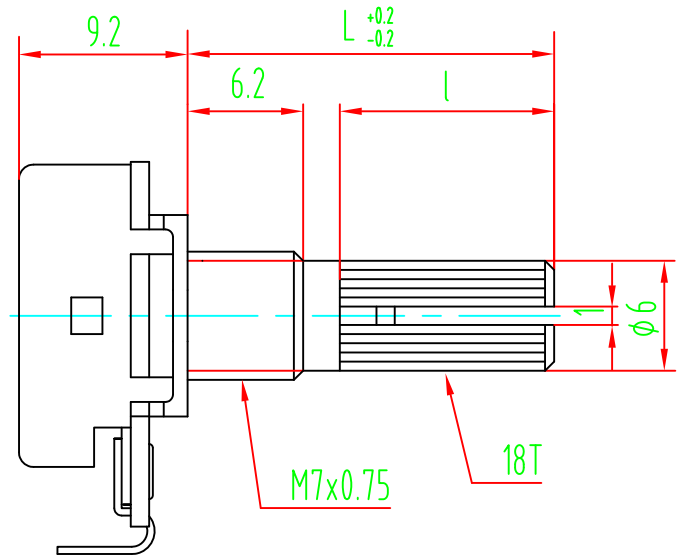
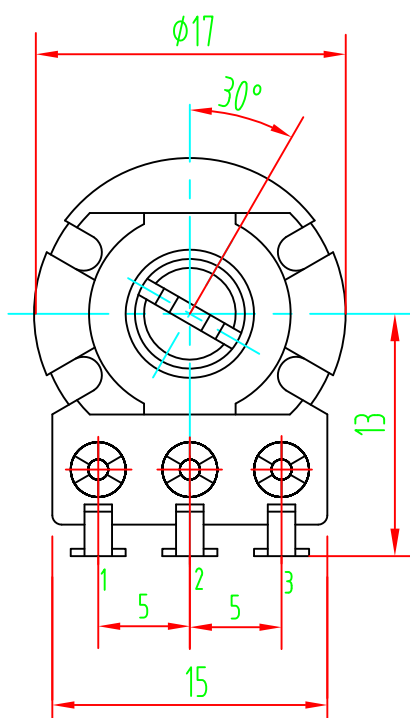
elektronikai alkatrész áruház

EN: This Datasheet is presented by the manufacturer.

Please visit our website for pricing and availability at www.hestore.hu.

R16148-1A-1

| | | |
|------|---------------------------|--|
| 1 | Electrical specifications | |
| 1.1 | Total Resistance | 1K Ω ~500K Ω \pm 20% |
| 1.2 | Resistance taper | A、 B |
| 1.3 | Voltage proof | 1 Minute At 500V AC |
| 1.4 | Rotational noise | Less than 100mV |
| 1.5 | Tracking error | / |
| 1.6 | Rated wattage | Curve B:0.125W Other than B: 0.063W |
| 1.7 | Max operating voltage | Curve B:200V AC Other curve B: 150V AC |
| 1.8 | Residual resistance | R1,2 < 5 Ω ; R2,3 < 10 Ω |
| 1.9 | Insulation resistance | \geq 100M Ω at DC500V |
| 1.10 | Operating Temperature | -10 ~ 60 $^{\circ}$ C |
| 2 | Mechanical specifications | |
| 2.1 | Drawing | See the attachment |
| 2.2 | Total rotation angle | 300 \pm 5 $^{\circ}$ |
| 2.3 | Rotation Torque | 2~20mN.m (20~200gf.cm) |
| 2.4 | Shaft stop strength | > 6Kgf.cm |
| 2.5 | Push pull strength | 60N |
| 2.6 | Switch Rotational Angle | / |
| 2.7 | Switch Contact Resistance | / |
| 2.8 | Rotary life | 10,000cycle |



| | | | | |
|---|-----|------|----|----|
| L | 12 | 15 ✓ | 18 | 20 |
| l | 4.5 | 7 ✓ | 12 | 12 |

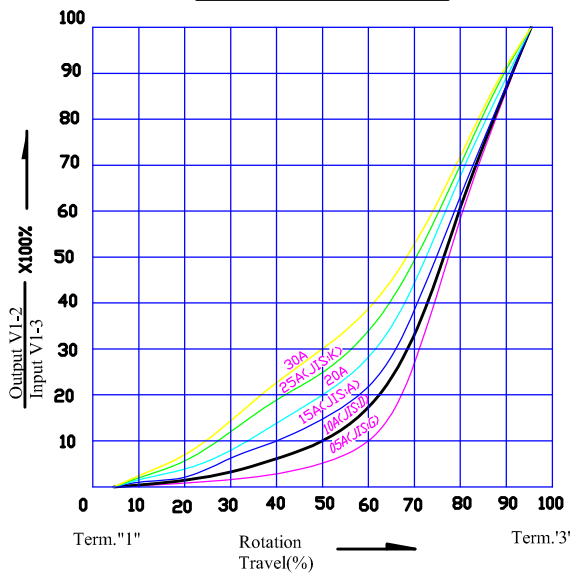
| | | | | | | | |
|-----|------|----------|----------|---|--|--|-------------|
| 2 | | | | 5 | | | |
| 1 | | | | 4 | | | |
| | DATE | REVISION | APPROVED | 3 | | | |
| | | | MODER: | | | | DRAWING NO: |
| | | | | | | | |
| DWN | DHKD | APPD | | | | | |

Resistance taper 電阻規律曲線類型

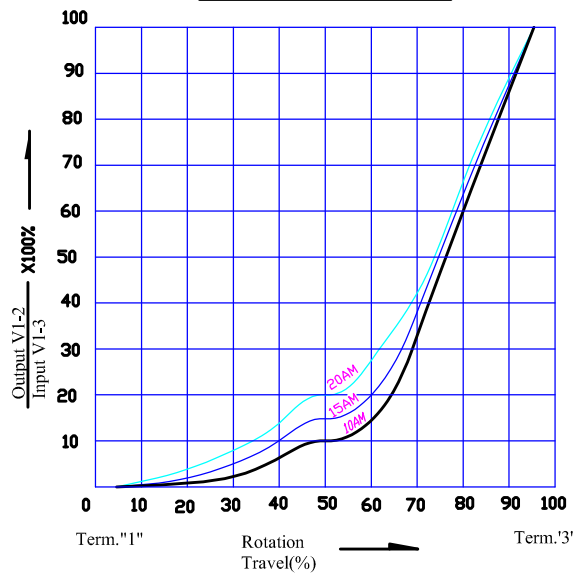
Pattern of resistance curve



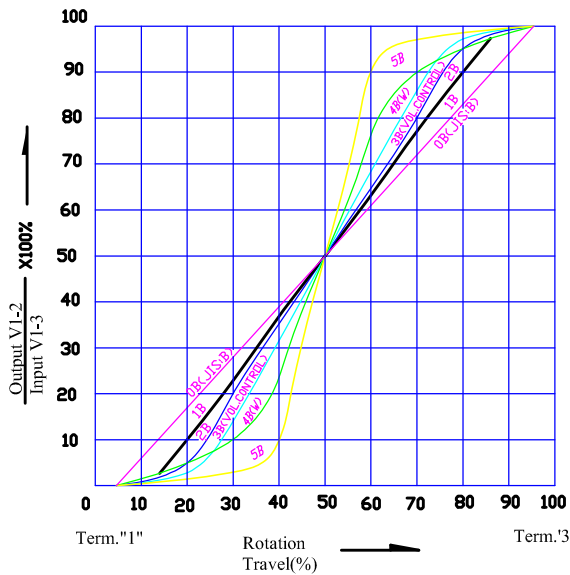
TAPERS (A) SERIES



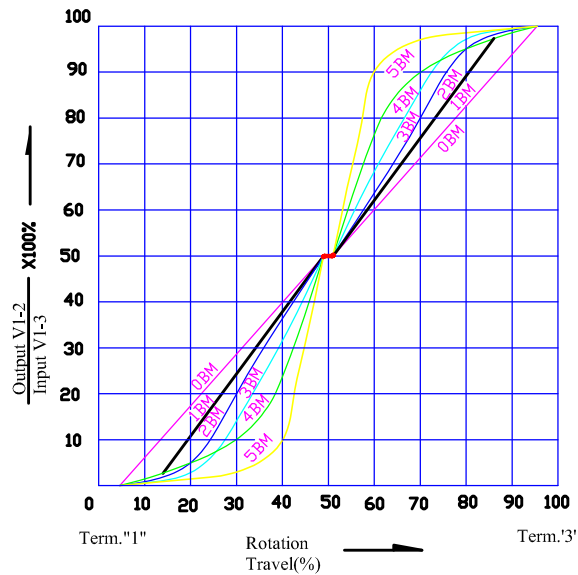
TAPERS (A) WITH 50% TAP



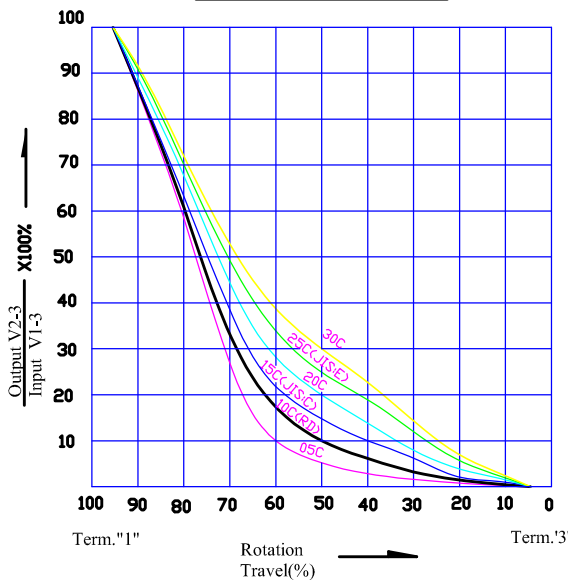
TAPERS (B) SERIES



TAPERS (B) WITH 50% TAP



TAPERS (C) SERIES



TAPERS (M) & (N)

